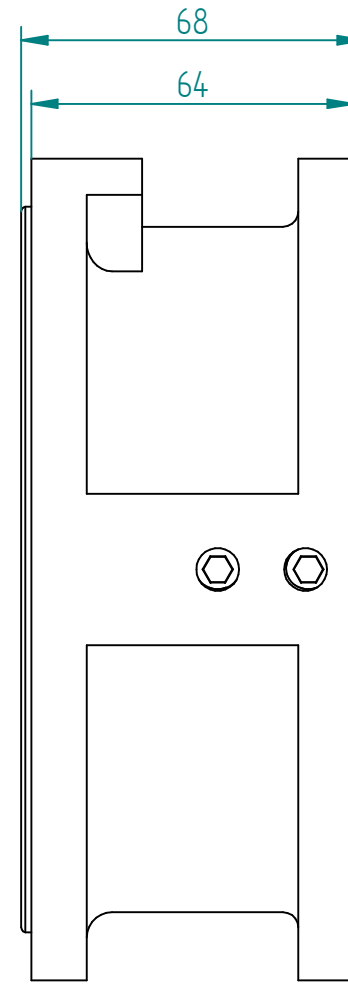
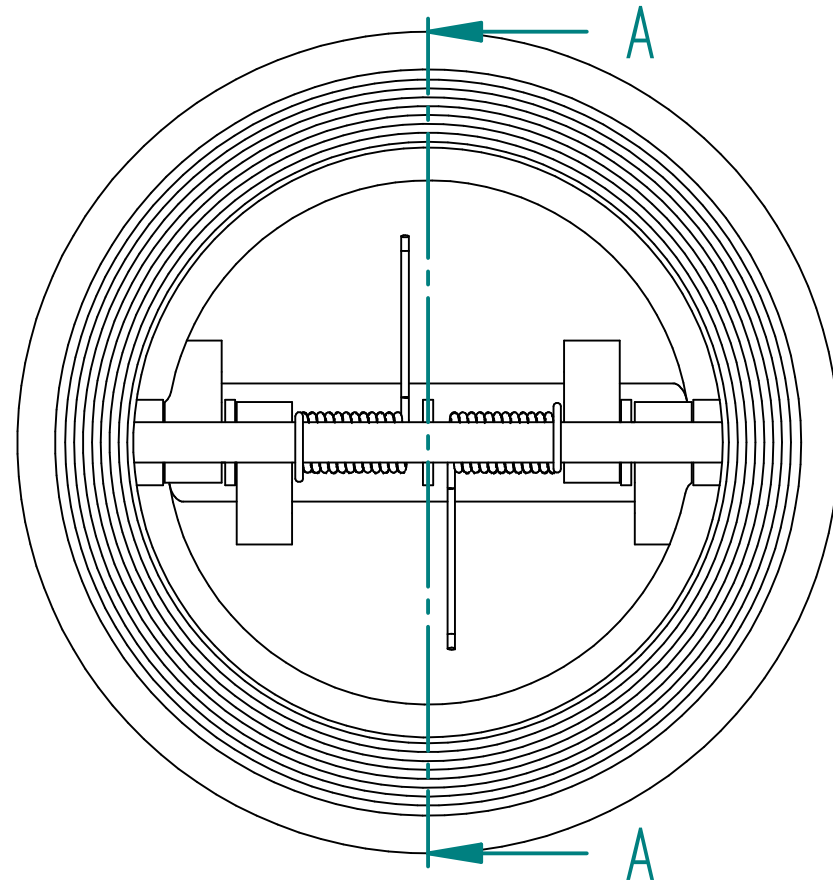
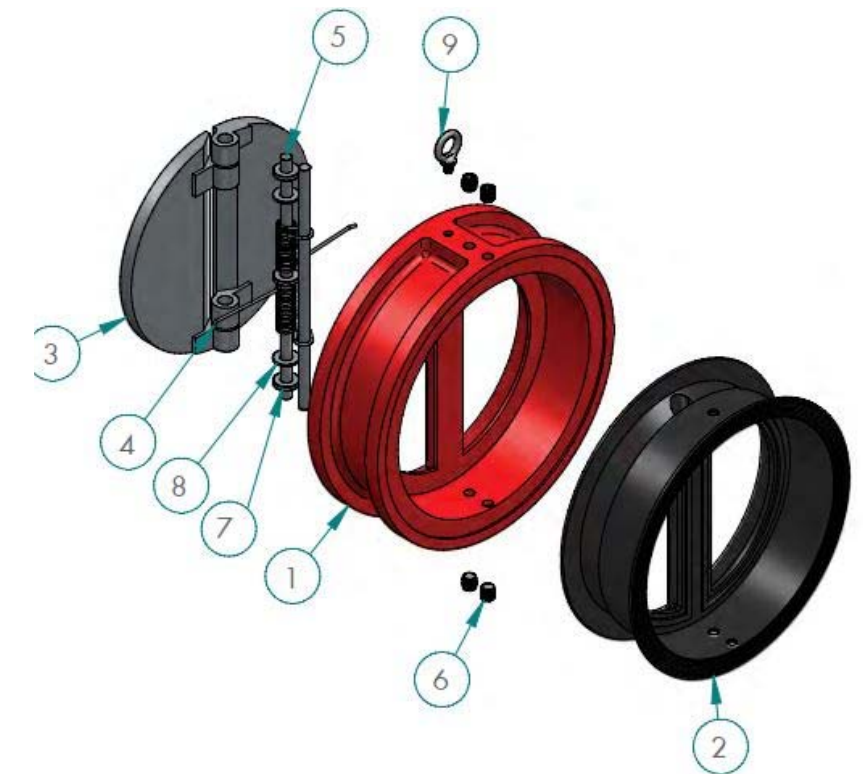
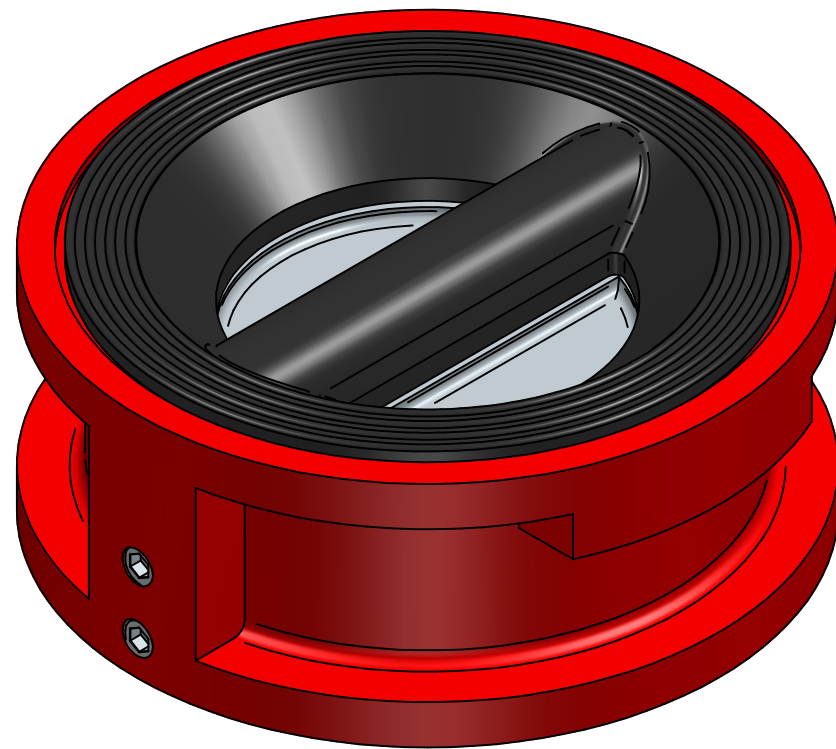


SECTION A-A



**QIF-180-024**

NO.	PART	MATERIAL
1	Body	GGG40
2	Liner	EPDM
<b>3</b>	<b>Disc</b>	<b>Duplex</b>
4	Spring	Inconel
5	Shaft	Duplex
6	Set screw	Carbon Steel
7	Shaft plug	SS316
8	Trust washer	PTFE
9	Eye Screw	Carbon Steel



TITLE DN100 DUO CHECK VALVE, RUBBER LINED  
 DUPLEX 2205 DISC & SHAFT, EPDM SEAT  
 INCONEL SPRING

	NAME	DATE	SIZE	DWG NO
DRAWN	SISO	21.01.2023	<b>A3</b>	QIF-180-024-0100
CHECKED	RESO	21.01.2023	FILE NAME: QIF-180-024-0100.dft	
ENG APPR	RESO	21.01.2023	SCALE: 1:1,5	REV: .....
MGR APPR	RESO	21.01.2023	WEIGHT:	SHEET:

UNLESS OTHERWISE SPECIFIED  
 DIMENSIONS ARE IN MILLIMETERS  
 AND TOLERANCES ARE +/-0,5

REV	DESCRIPTION	DATE	APPROVED
REVISION HISTORY			