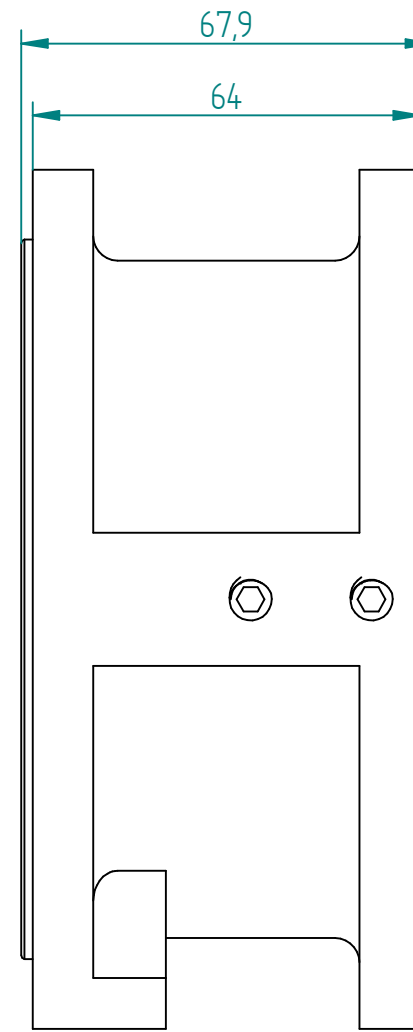
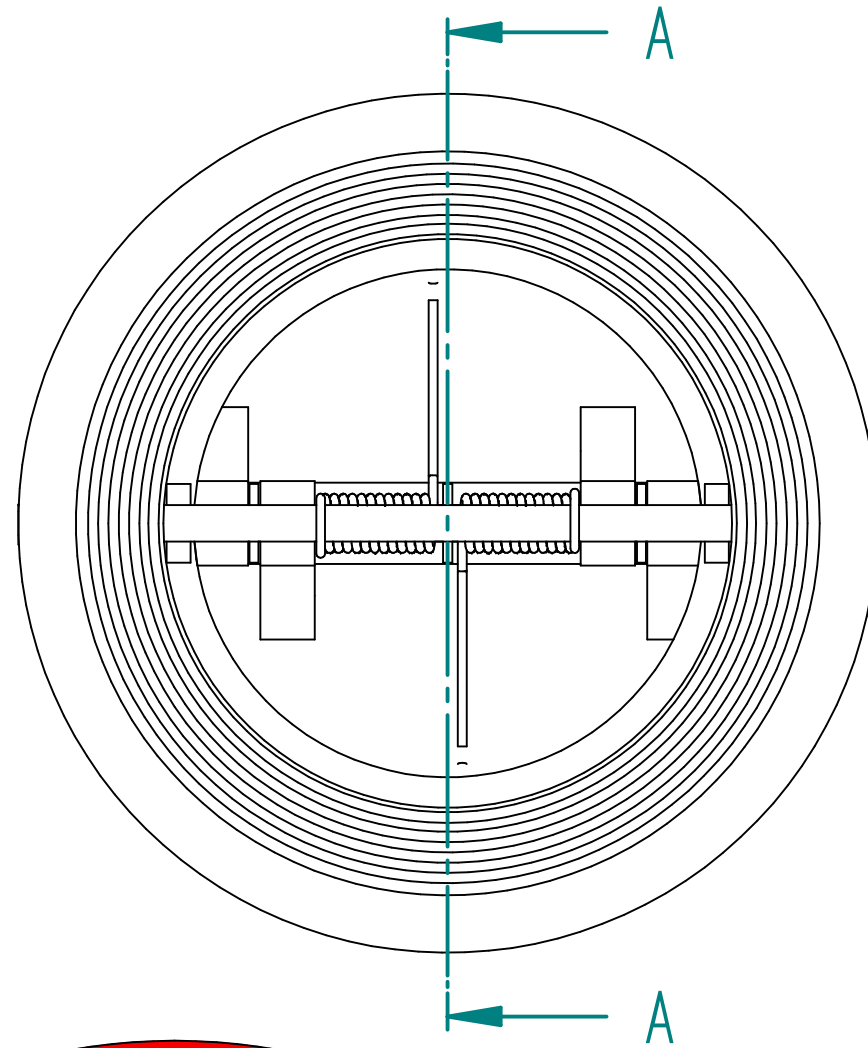
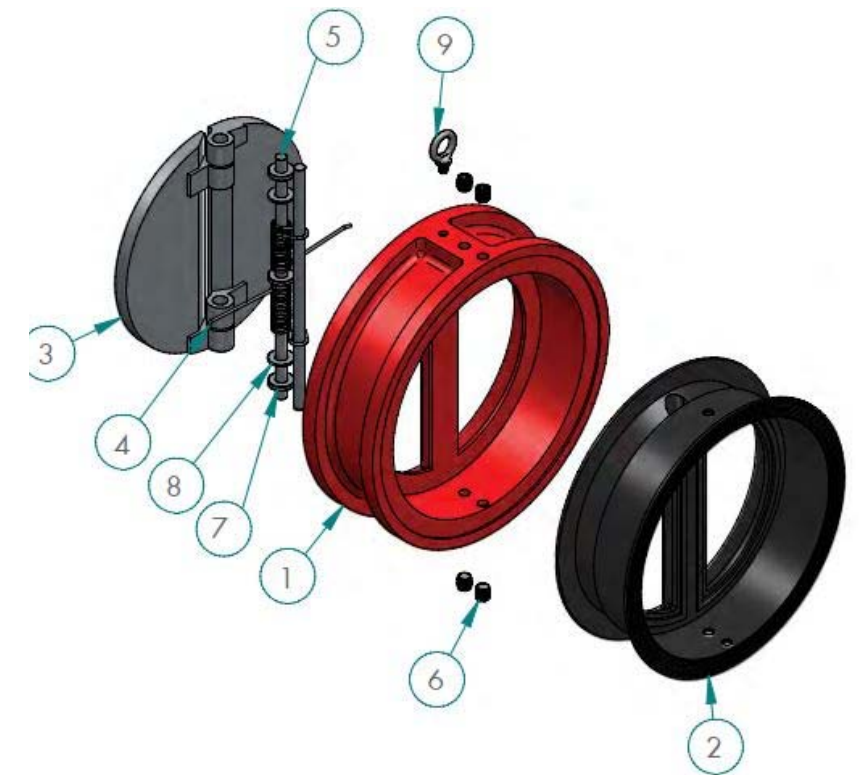
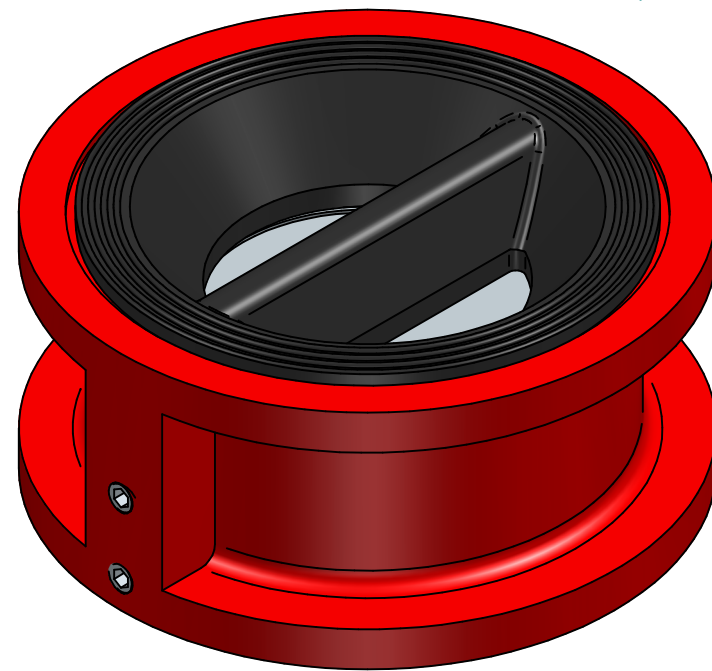


SECTION A-A



QIF-180-024

NO.	PART	MATERIAL
1	Body	GGG40
2	Liner	EPDM
3	Disc	Duplex
4	Spring	Inconel
5	Shaft	Duplex
6	Set screw	Carbon Steel
7	Shaft plug	SS316
8	Trust washer	PTFE
9	Eye Screw	Carbon Steel



		NAME	DATE	SIZE	DWG NO
DRAWN	SISO	21.01.2023	A3	QIF-180-024-0080	
CHECKED	RESO	21.01.2023	FILE NAME: QIF-180-024-0080.dft		
ENG APPR	RESO	21.01.2023	SCALE: 1:1	REV:	
MGR APPR	RESO	21.01.2023	WEIGHT:	SHEET: 2 OF 2	

UNLESS OTHERWISE SPECIFIED DIMENSIONS ARE IN MILLIMETERS AND TOLERANCES ARE +/-0,5

REV	DESCRIPTION	DATE	APPROVED
REVISION HISTORY			