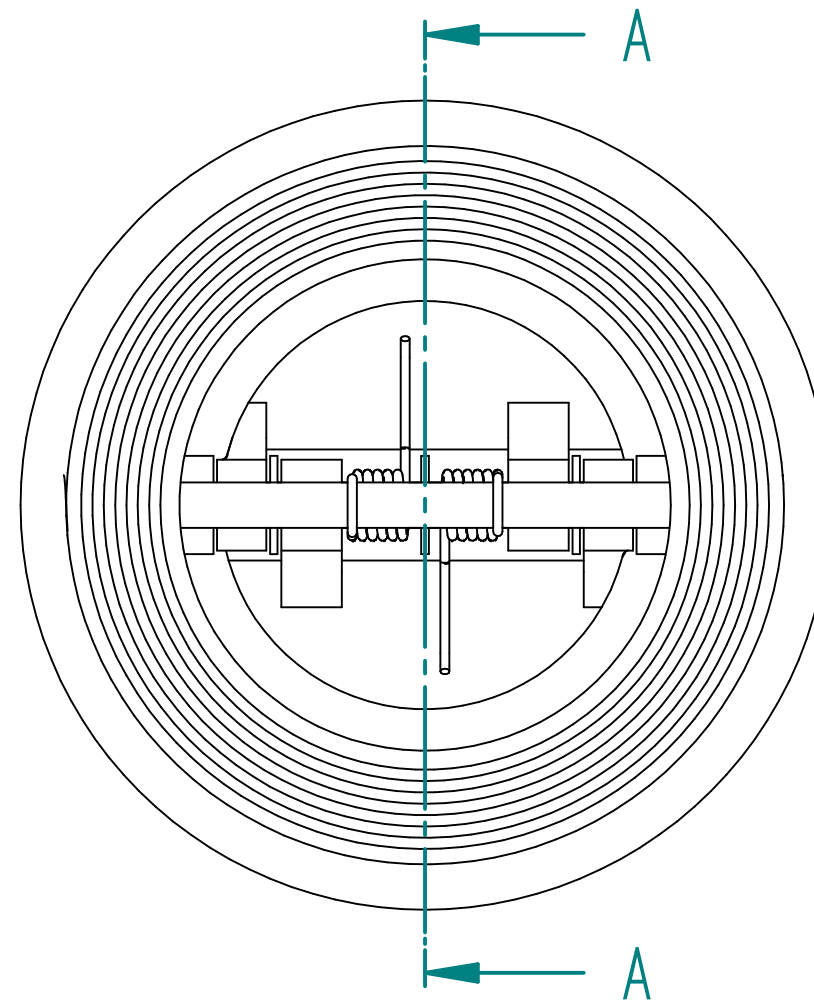
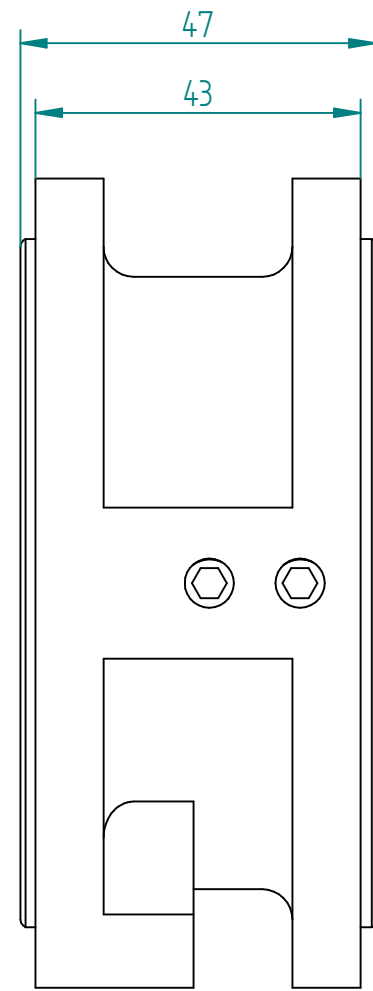
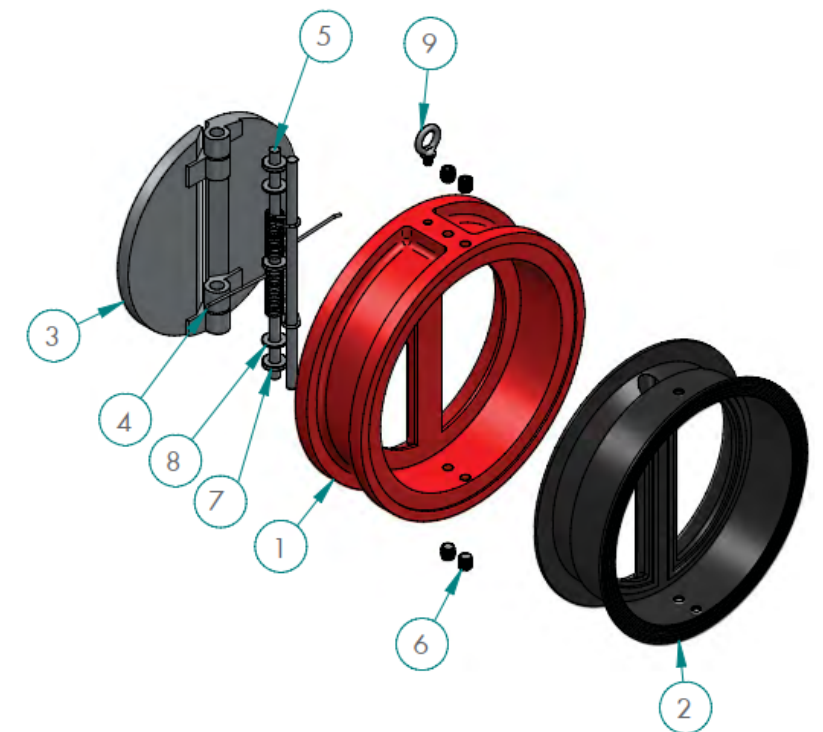
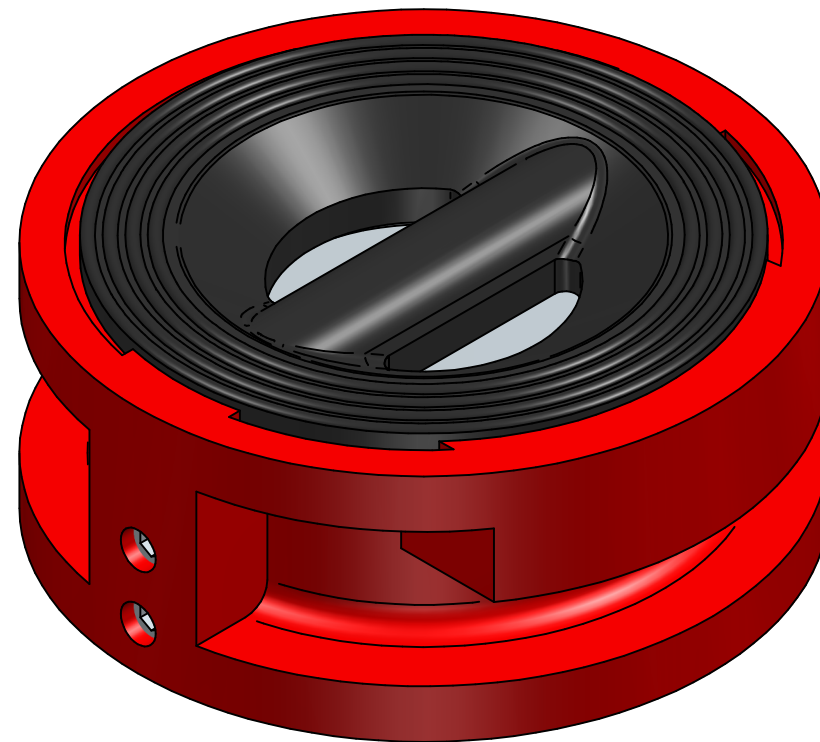


SECTION A-A



QIF-180-024

NO.	PART	MATERIAL
1	Body	GGG40
2	Liner	EPDM
3	Disc	Duplex
4	Spring	Inconel
5	Shaft	Duplex
6	Set screw	Carbon Steel
7	Shaft plug	SS316
8	Trust washer	PTFE
9	Eye Screw	Carbon Steel



		NAME	DATE	SIZE	DWG NO
DRAWN	SISO		19.01.23	A3	QIF-180-024-0050
CHECKED	RESO		19.01.23	FILE NAME: QIF-180-024-0050.dft	
ENG APPR	RESO		19.01.23	SCALE: 1:1	REV:
MGR APPR	RESO		19.01.23	WEIGHT:	SHEET: 2 OF 2

UNLESS OTHERWISE SPECIFIED DIMENSIONS ARE IN MILLIMETERS AND TOLERANCES ARE +/-0,5

REV	DESCRIPTION	DATE	APPROVED
REVISION HISTORY			

TITLE DN50 DUO CHECK VALVE, RUBBER LINED DUPLEX 2205 DISC & SHAFT, EPDM SEAT INCONEL SPRING