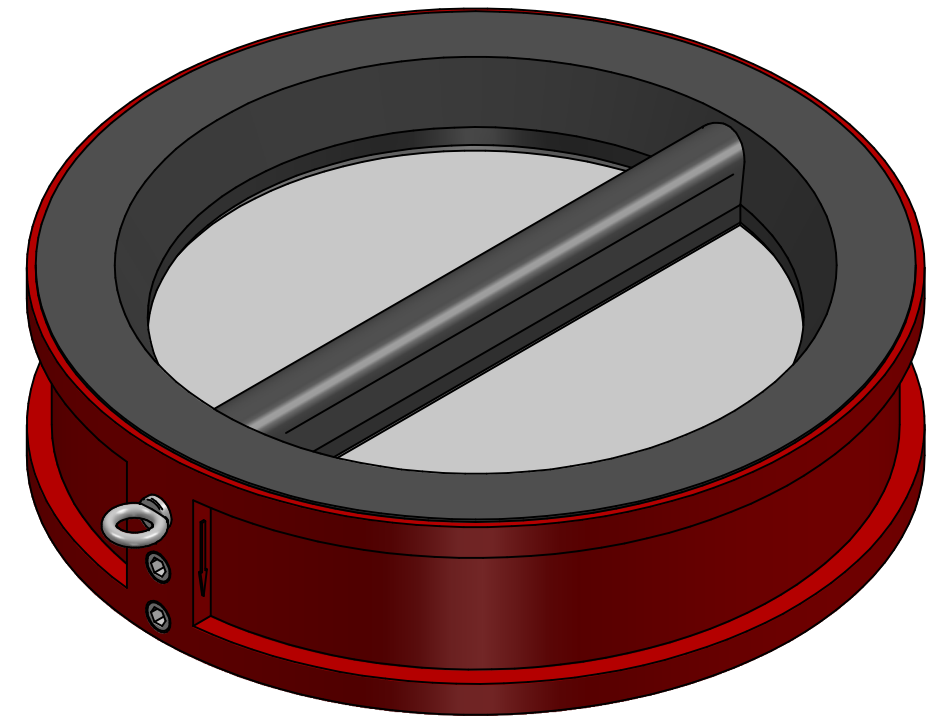
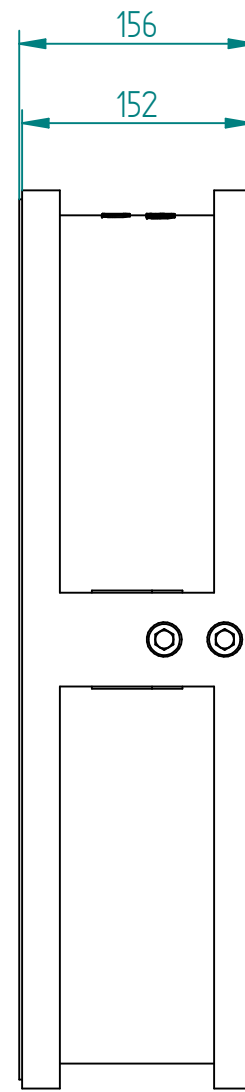
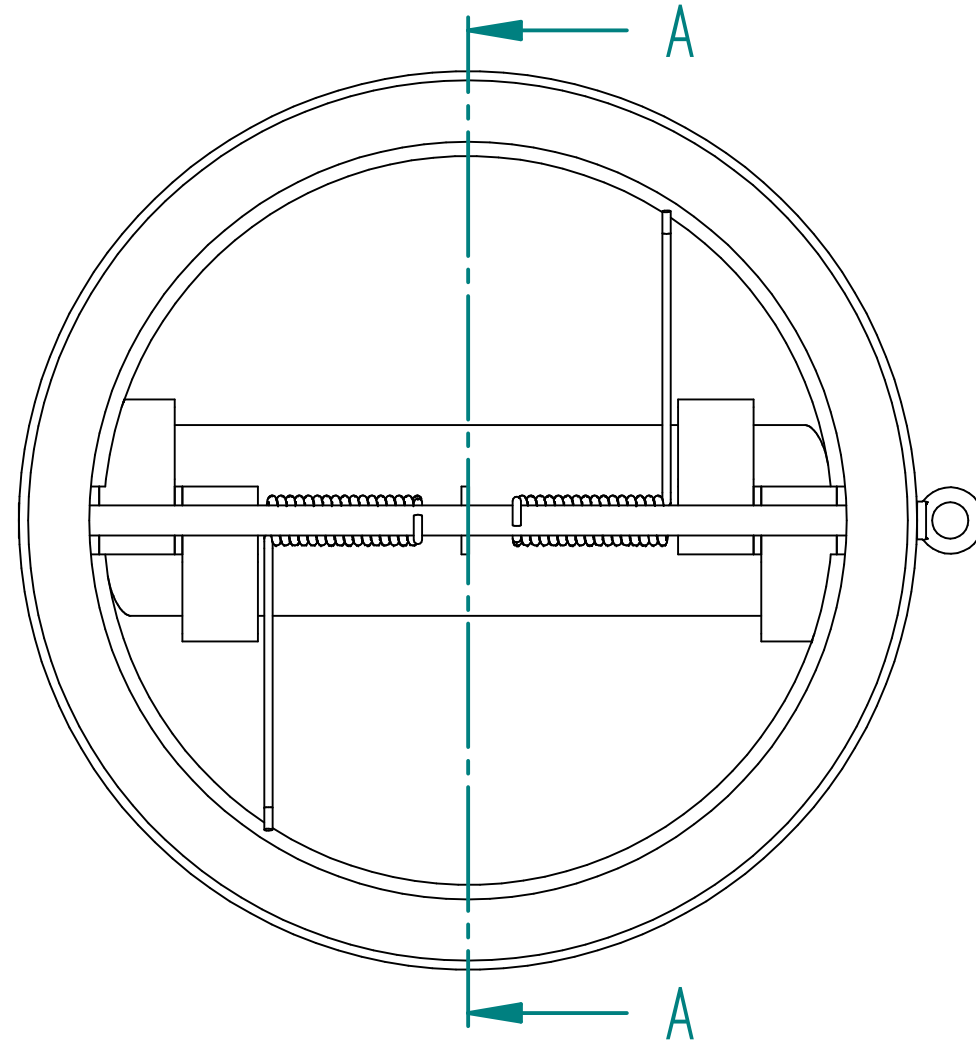


SECTION A-A



TITLE RUBBER COATED DUAL CHECK VALVE DN500, DI BODY, SS316 DISC, STAINLESS STEEL 316 SHAFT, EPDM		NAME	DATE	SIZE	DWG NO
	DRAWN	MOTO	03.04.2020	A3	QIF-180-022-0500
	CHECKED	RESO	03.04.2020	FILE NAME: QIF-180-021-0500 QIF-180-022-0500.dft	
	ENG APPR	TOCO	dd.mm.yyyy	SCALE: 1:1	REV:
	MGR APPR	TOCO	dd.mm.yyyy	WEIGHT:	SHEET: 2 OF 2

UNLESS OTHERWISE SPECIFIED DIMENSIONS ARE IN MILLIMETERS AND TOLERANCES ARE +/-0,5

REV	DESCRIPTION	DATE	APPROVED
REVISION HISTORY			