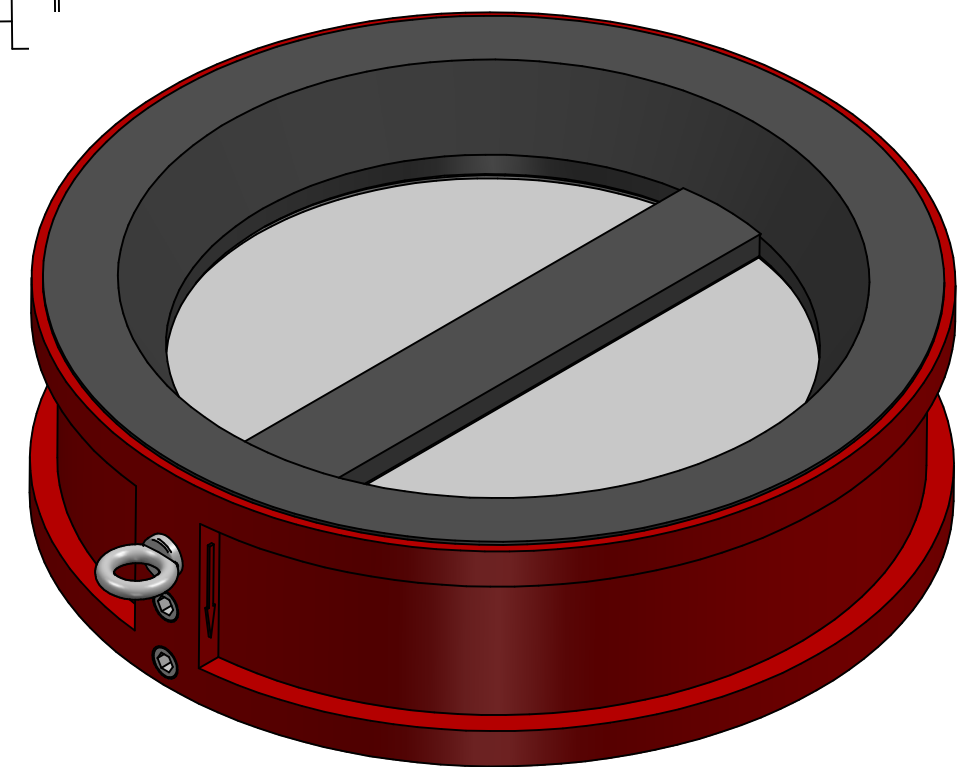
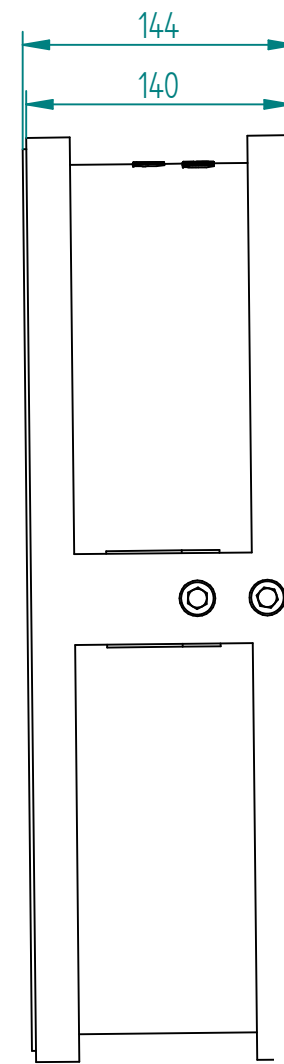
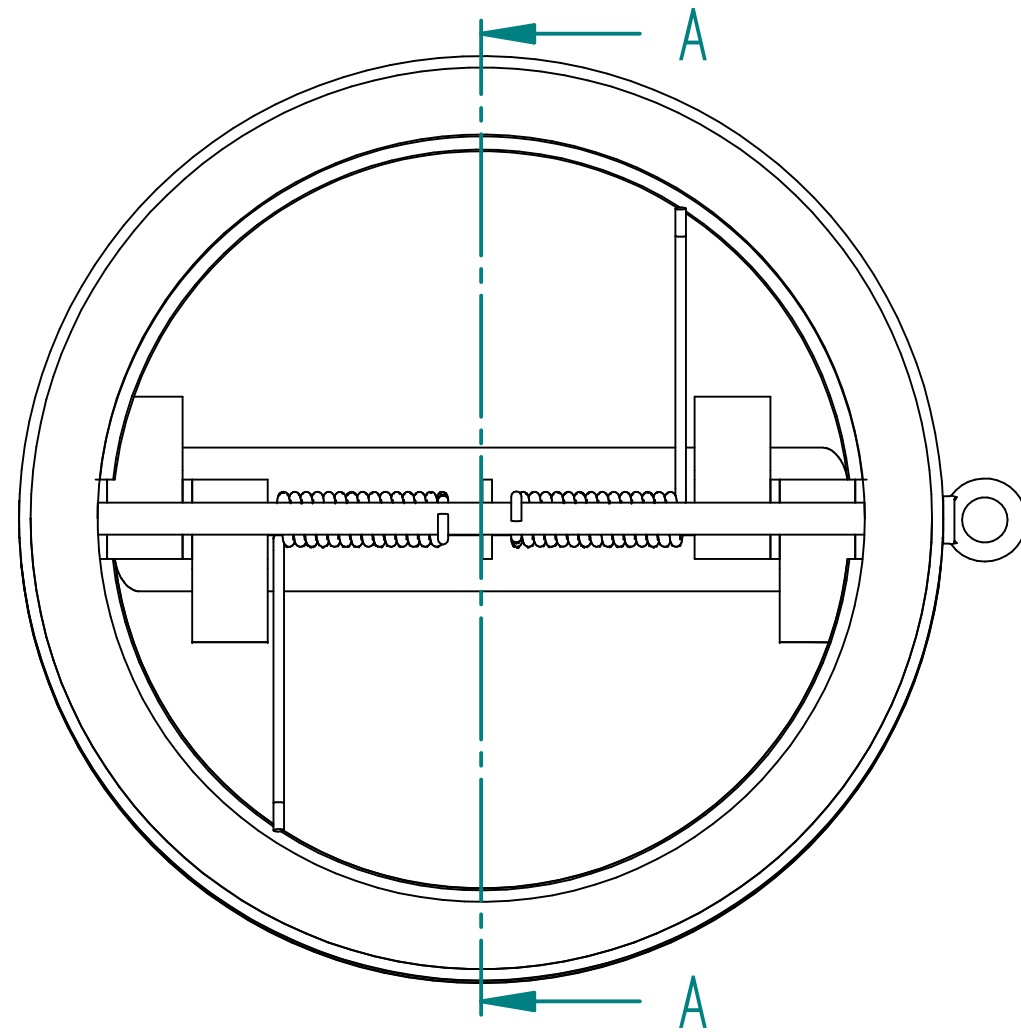


SECTION A-A



TITLE RUBBER COATED DUAL CHECK VALVE DN400,  
DI BODY, SS316 DISC,  
STAINLESS STEEL 316 SHAFT, EPDM

	NAME	DATE	SIZE	DWG NO
DRAWN	MOTO	03.04.2020	<b>A3</b>	QIF-180-022-0400
CHECKED	RESO	03.04.2020	FILE NAME: QIF-180-021-0400 QIF-180-022-0400.dft	
ENG APPR	TOCO	dd.mm.yyyy	SCALE: 1:1	REV: .....
MGR APPR	TOCO	dd.mm.yyyy	WEIGHT:	SHEET: 2 OF 2

UNLESS OTHERWISE SPECIFIED  
DIMENSIONS ARE IN MILLIMETERS  
AND TOLERANCES ARE +/-0,5

REV	DESCRIPTION	DATE	APPROVED
REVISION HISTORY			