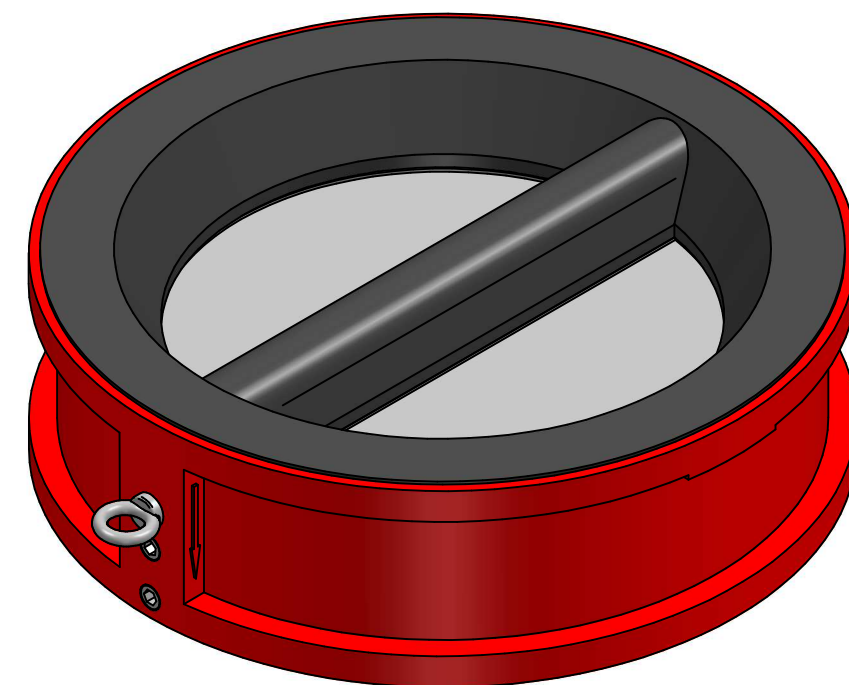
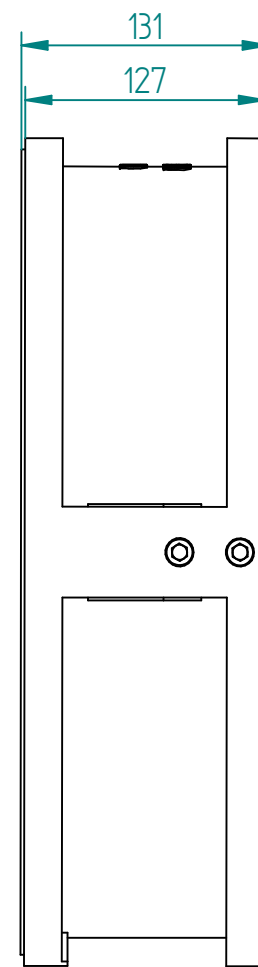
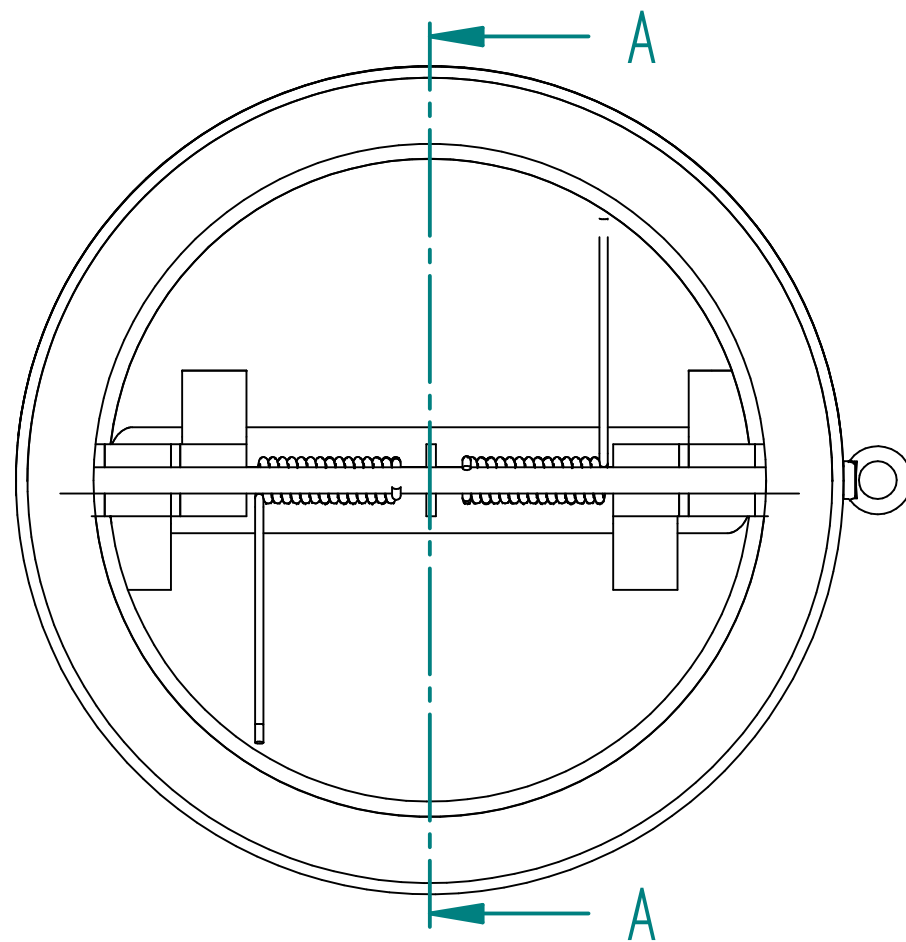


SECTION A-A



	NAME	DATE	SIZE	DWG NO
DRAWN	MOTO	03.04.2020	A3	QIF-180-022-0350
CHECKED	RESO	03.04.2020	FILE NAME: QIF-180-021-0350 QIF-180-022-0350.dft	
ENG APPR	TOCO	dd.mm.yyyy	SCALE: 1:1	REV:
MGR APPR	TOCO	dd.mm.yyyy	WEIGHT:	SHEET: 2 OF 2

TITLE RUBBER COATED DUAL CHECK VALVE DN350,
DI BODY, SS316 DISC,
STAINLESS STEEL 316 SHAFT, EPDM

UNLESS OTHERWISE SPECIFIED
DIMENSIONS ARE IN MILLIMETERS
AND TOLERANCES ARE +/-0,5

REV	DESCRIPTION	DATE	APPROVED
REVISION HISTORY			