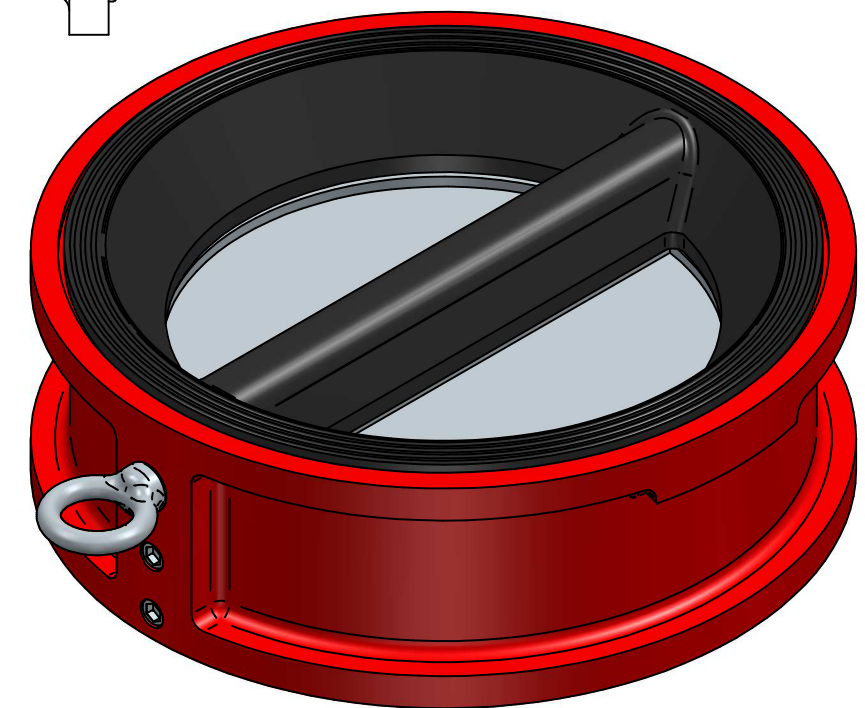
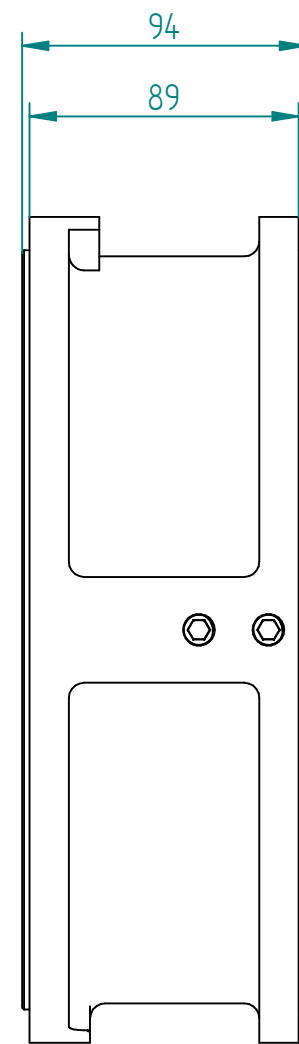
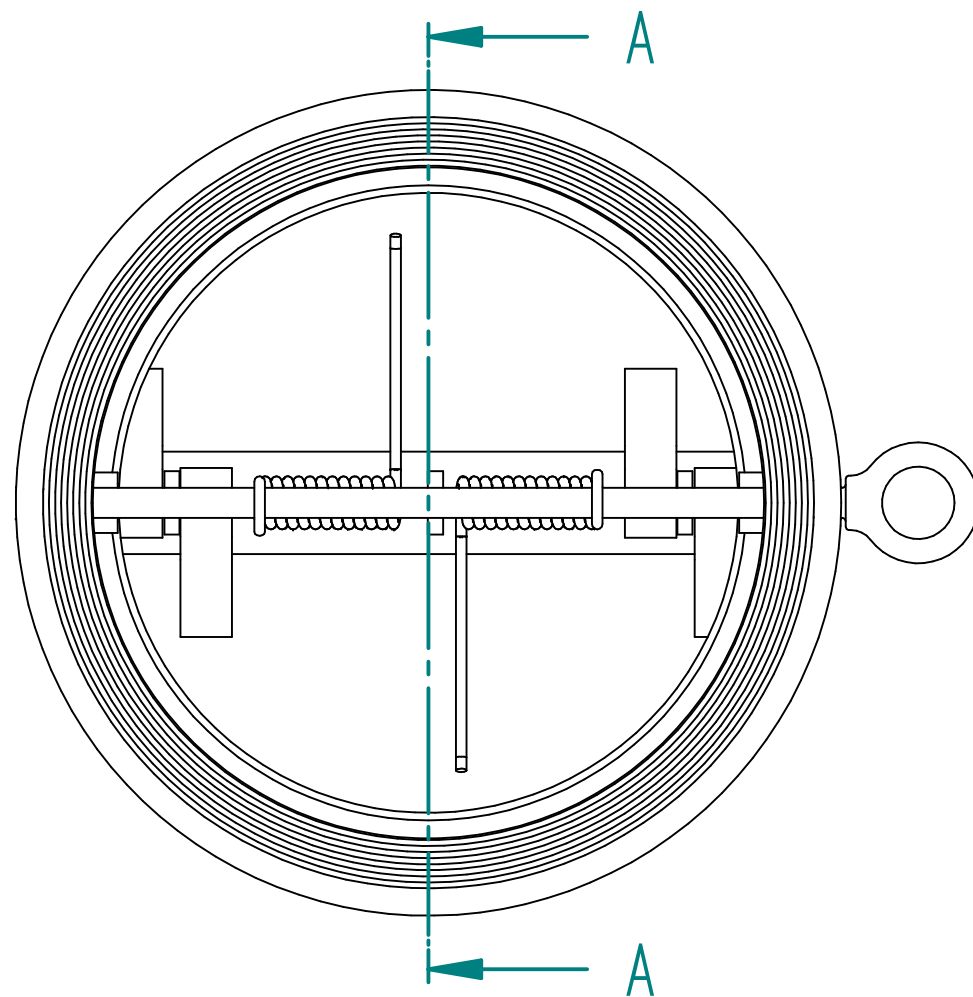


SECTION A-A



TITLE RUBBER COATED DUAL CHECK VALVE DN200,  
DI BODY, SS316 DISC,  
STAINLESS STEEL 316 SHAFT, EPDM

	NAME	DATE	SIZE	DWG NO
DRAWN	MOTO	28.08.2017	<b>A3</b>	QIF-180-022-0200
CHECKED	TOCO	28.08.2017	FILE NAME: QIF-180-022-0200.dft	
ENG APPR	TOCO	28.08.2017	SCALE: 1:2,5	REV: .....
MGR APPR	TOCO	28.08.2017	WEIGHT:	SHEET: 1 OF 2

UNLESS OTHERWISE SPECIFIED  
DIMENSIONS ARE IN MILLIMETERS  
AND TOLERANCES ARE +/-0,5

REV	DESCRIPTION	DATE	APPROVED
REVISION HISTORY			