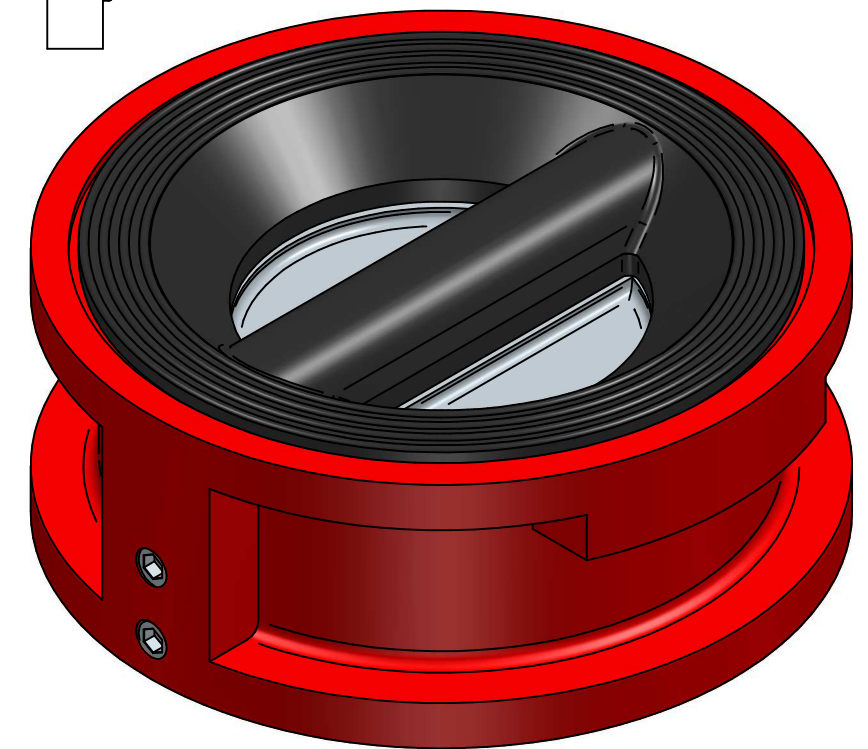
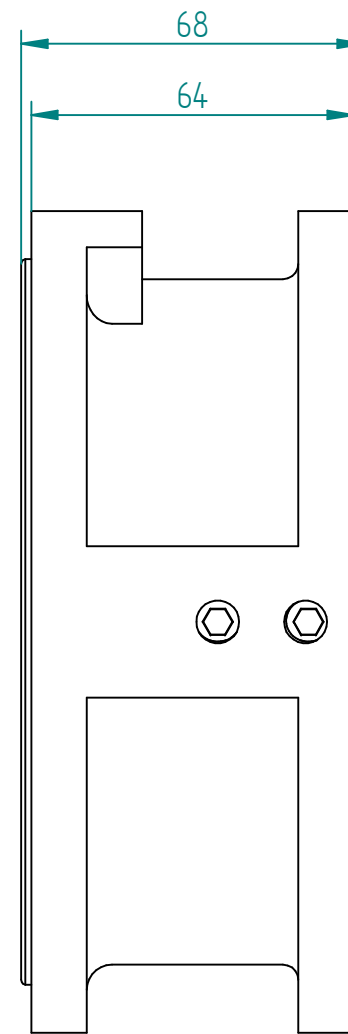
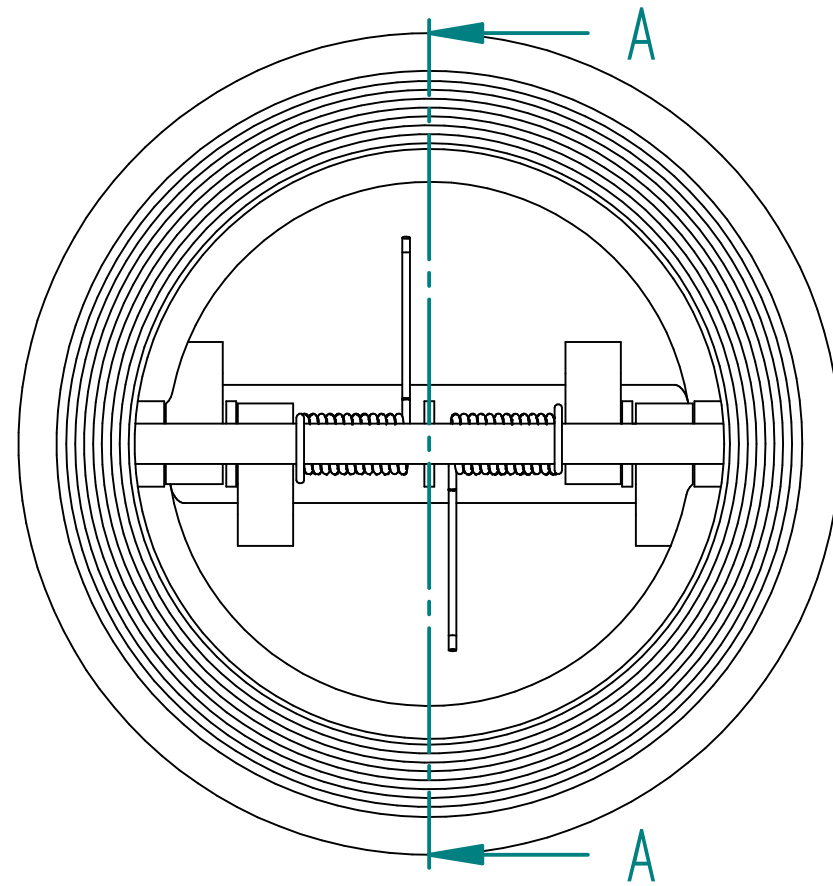


SECTION A-A



TITLE RUBBER COATED DUAL CHECK VALVE DN100
DI BODY, SS316 DISC,
STAINLESS STEEL 316 SHAFT, EPDM

	NAME	DATE	SIZE	DWG NO
DRAWN	MOTO	03.05.2018	A3	QIF-180-022-0100
CHECKED	TOCO	03.05.2018	FILE NAME: QIF-180-022-0100.dft	
ENG APPR	TOCO	03.05.2018	SCALE: 1:1,5	REV:
MGR APPR	TOCO	03.05.2018	WEIGHT:	SHEET: 1 OF 2

UNLESS OTHERWISE
SPECIFIED
DIMENSIONS ARE IN
MILLIMETERS
AND TOLERANCES ARE
+/-0,5

REV	DESCRIPTION	DATE	APPROVED
REVISION HISTORY			