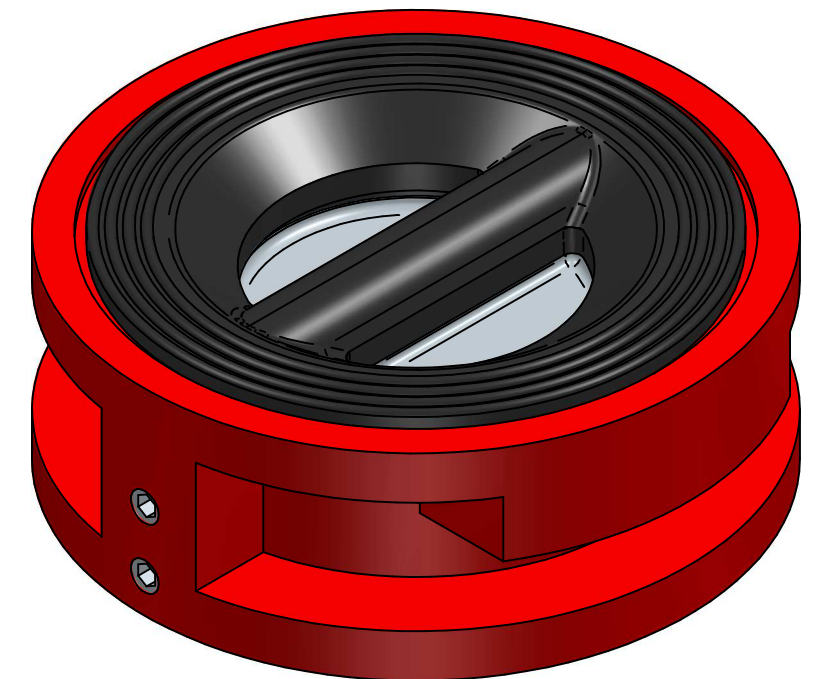
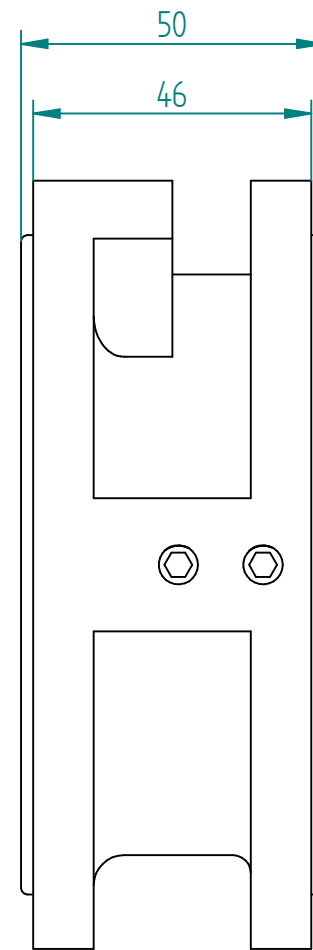
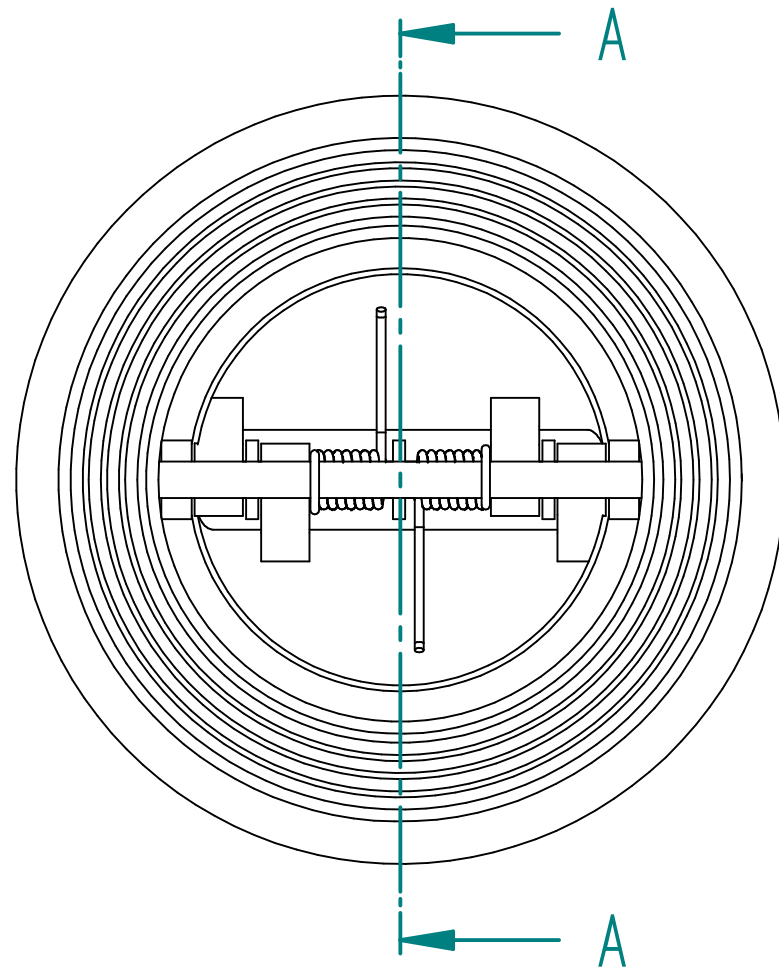


SECTION A-A



TITLE RUBBER COATED DUAL CHECK VALVE DN65, DI BODY, SS316 DISC, STAINLESS STEEL 316 SHAFT, EPDM		NAME	DATE	SIZE	DWG NO	UNLESS OTHERWISE SPECIFIED DIMENSIONS ARE IN MILLIMETERS AND TOLERANCES ARE +/-0,5
	DRAWN	MOTO	28.08.2017	<b>A3</b>	QIF-180-022-0065	
	CHECKED	TOCO	28.08.2017	FILE NAME: QIF-180-022-0065.dft		
	ENG APPR	TOCO	28.08.2017	SCALE: 1:1,25	REV: .....	
	MGR APPR	TOCO	28.08.2017	WEIGHT:	SHEET: 1 OF 2	

REV	DESCRIPTION	DATE	APPROVED
REVISION HISTORY			