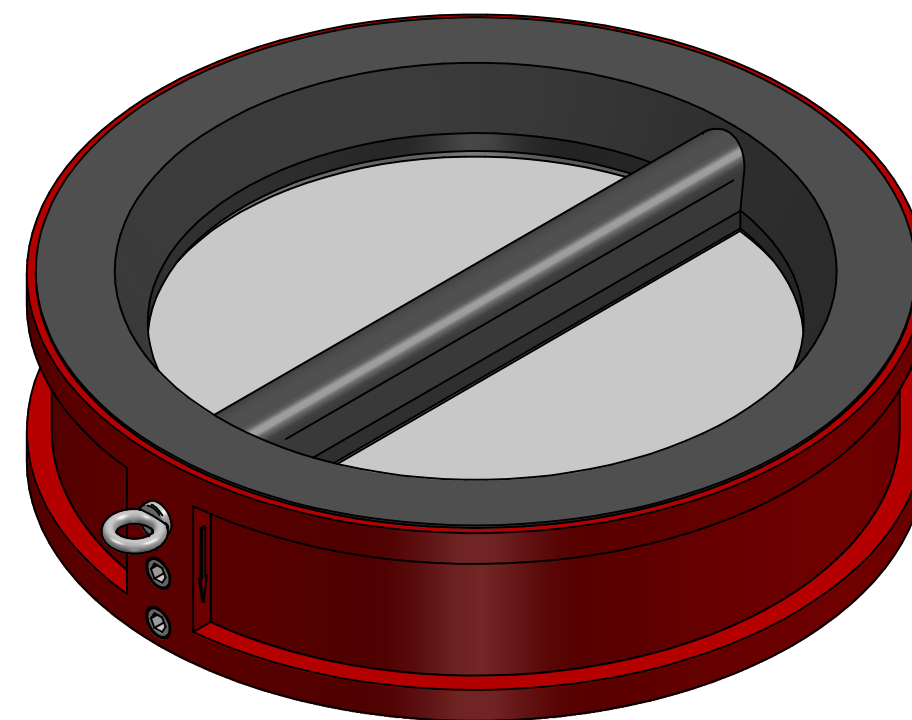
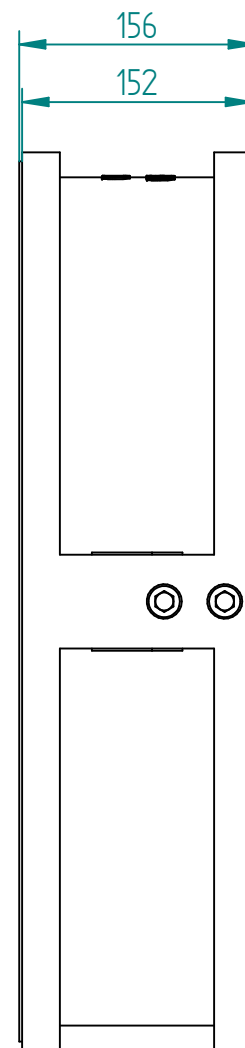
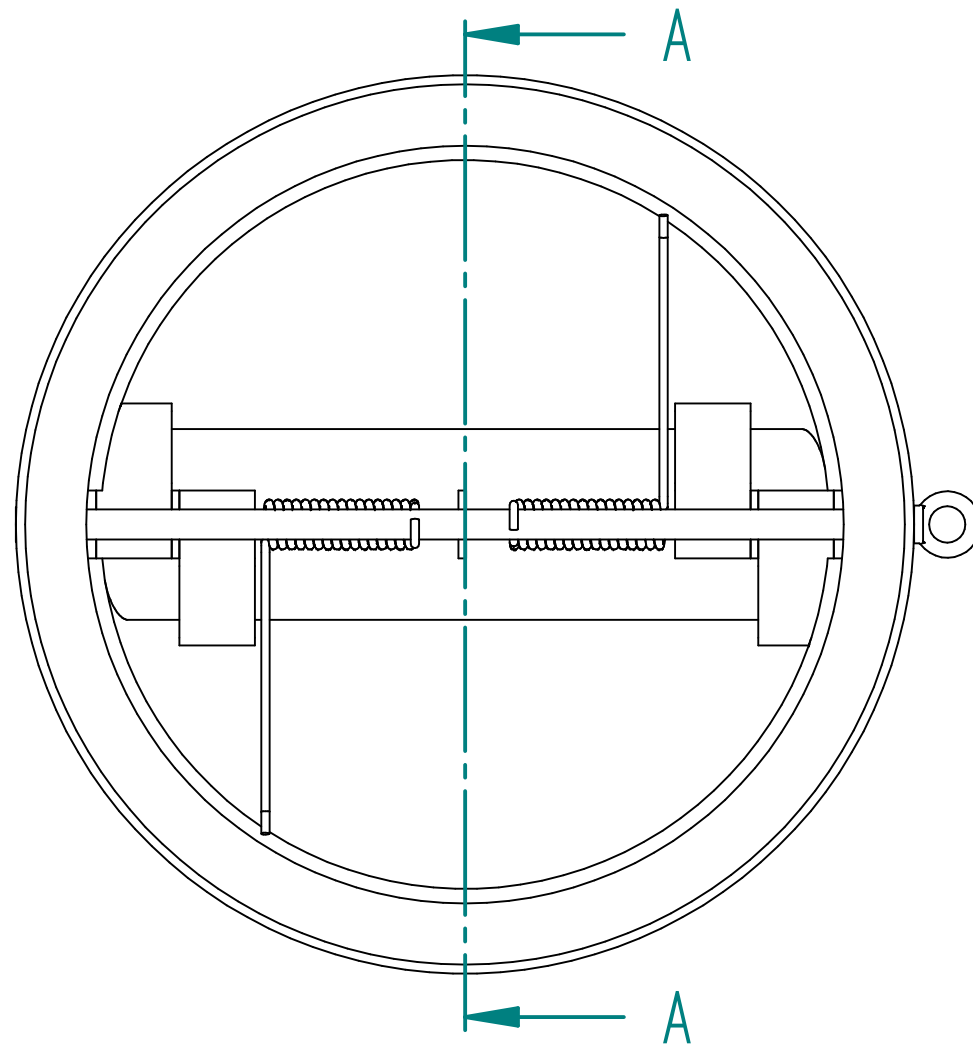


SECTION A-A



TITLE RUBBER COATED DUAL CHECK VALVE DN500,
DI BODY, AL.BR. DISC,
STAINLESS STEEL 316 SHAFT, EPDM

	NAME	DATE	SIZE	DWG NO
DRAWN	MOTO	03.04.2020	A3	QIF-180-021-0500
CHECKED	RESO	03.04.2020	FILE NAME: QIF-180-021-0500 QIF-180-022-0500.dft	
ENG APPR	TOCO	dd.mm.yyyy	SCALE: 1:5	REV:
MGR APPR	TOCO	dd.mm.yyyy	WEIGHT:	SHEET: 1 OF 2

UNLESS OTHERWISE SPECIFIED DIMENSIONS ARE IN MILLIMETERS AND TOLERANCES ARE +/-0,5

REV	DESCRIPTION	DATE	APPROVED
REVISION HISTORY			