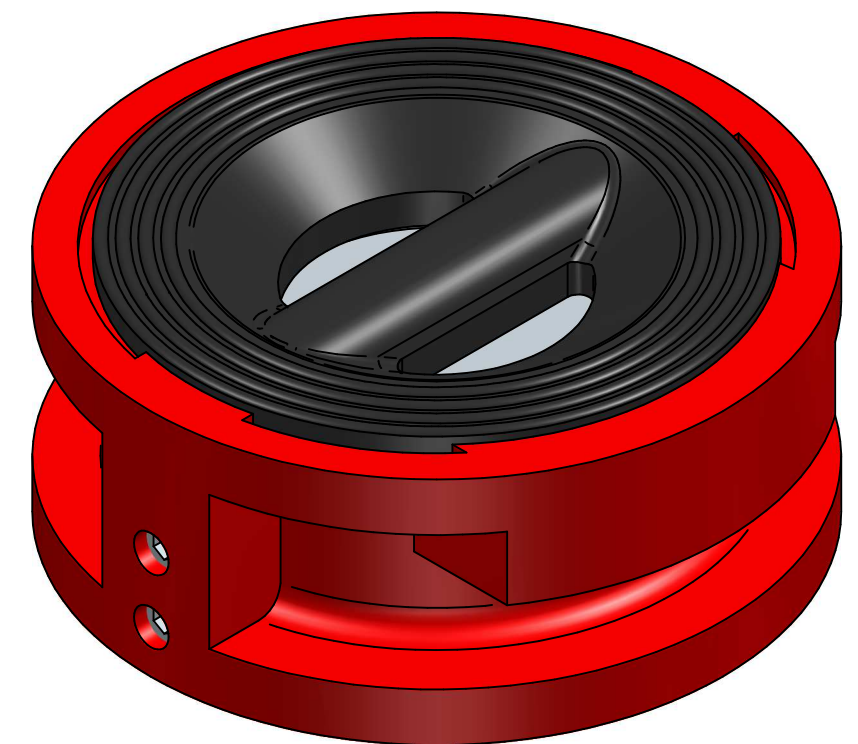
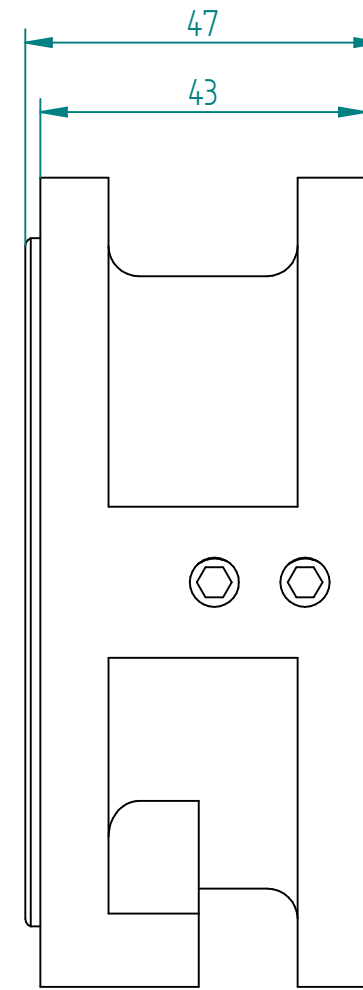
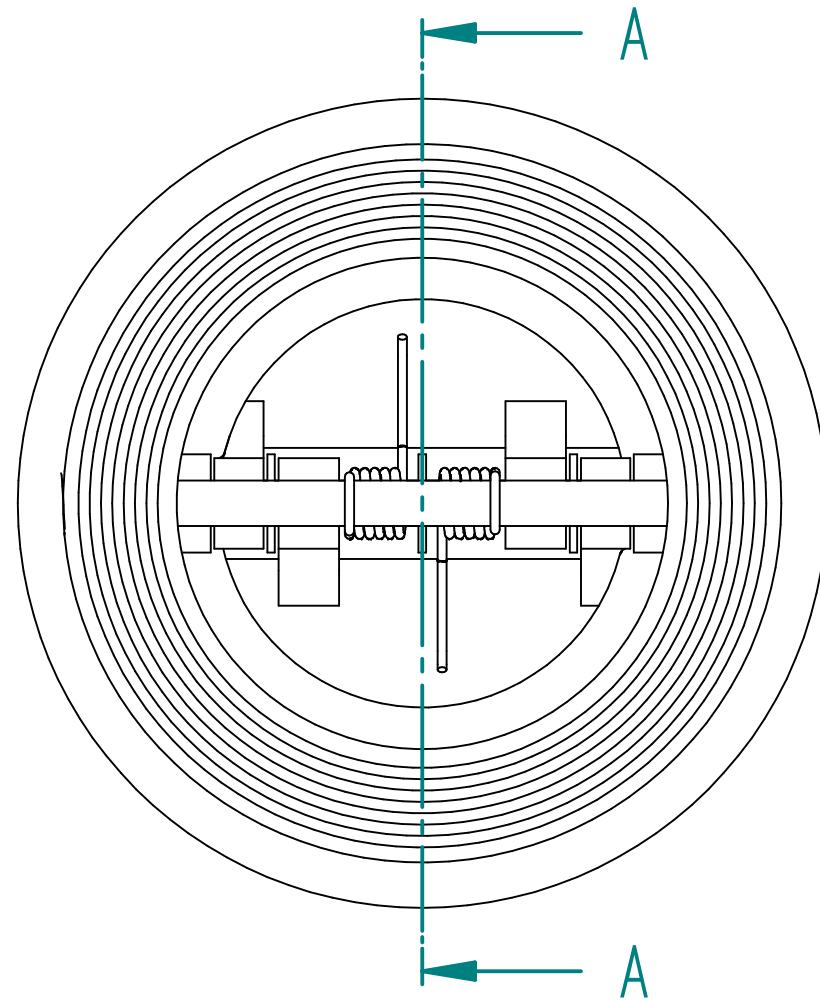


SECTION A-A



TITLE RUBBER COATED DUAL CHECK VALVE DN50, DI BODY, AL.BR. DISC, STAINLESS STEEL 316 SHAFT, EPDM		NAME	DATE	SIZE	DWG NO
	DRAWN	MOTO	28.08.2017	<b>A3</b>	QIF-180-021-0050
	CHECKED	TOCO	28.08.2017	FILE NAME: QIF-180-021-0050.dft	
	ENG APPR	TOCO	28.08.2017	SCALE: 1:1	REV: .....
	MGR APPR	TOCO	28.08.2017	WEIGHT:	SHEET: 2 OF 2

UNLESS OTHERWISE SPECIFIED DIMENSIONS ARE IN MILLIMETERS AND TOLERANCES ARE +/-0,5

REV	DESCRIPTION	DATE	APPROVED
REVISION HISTORY			