

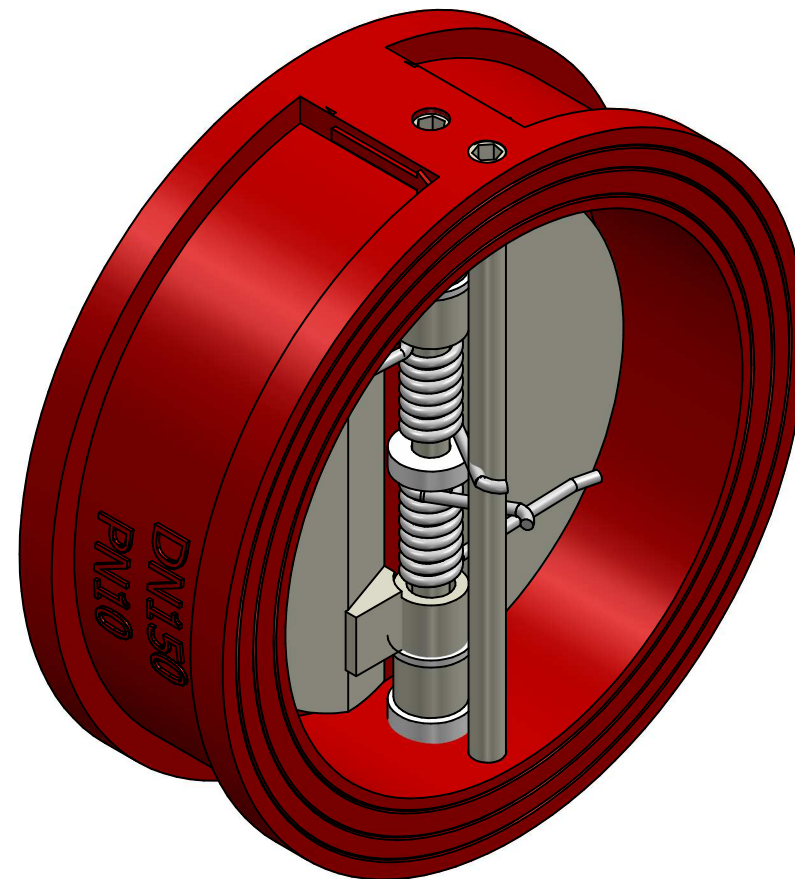
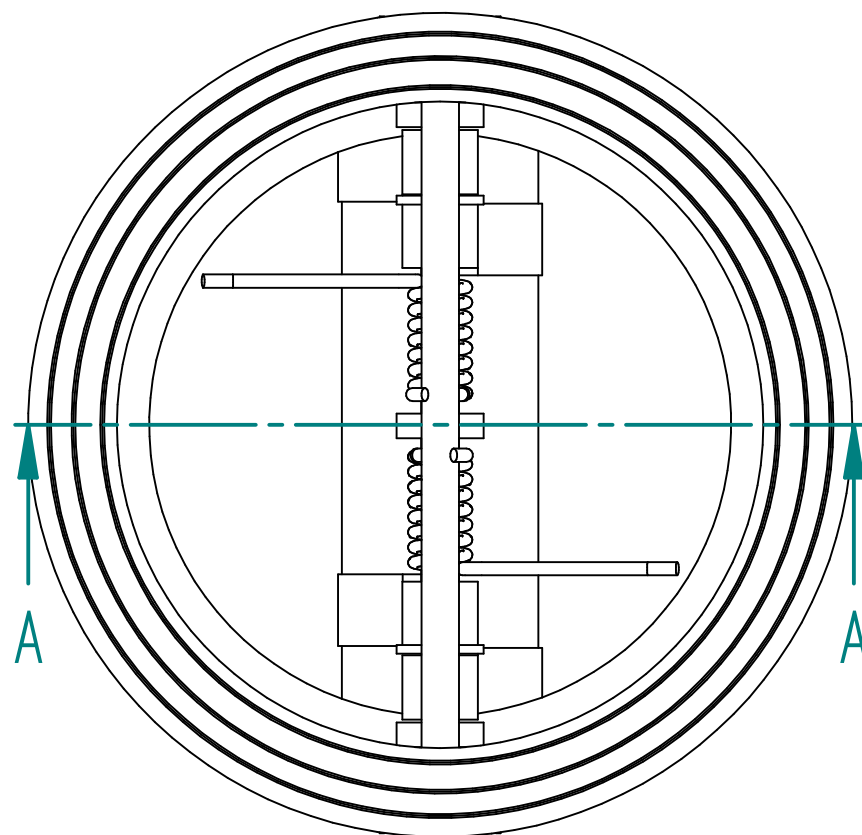
SECTION A-A

No.	Part Name	Material	Qty.
1	Body	DI	1
2	Seat	EPDM	1
3	Disc	CF8M	2
4	Spring	SS316	2
5	Stem	SS316	2

NOTE:

1. FACE TO FACE ISO5752
2. JOINT FLANGE BS4504 PN10/PN16
3. TEST API598

TECHNICAL DATA		
NOMINAL DIAMETER	DN500-DN800	DN50-DN450
NOMINAL PRESSURE	1.0 MPa	1.6 MPa
TESTING PRESSURE (SEALING)	1.1 MPa	1.76 MPa
TESTING PRESSURE (SHELL)	1.5 MPa	2.4 MPa



TITLE	NAME		DATE	SIZE	DWG NO
	DRAWN	MOTO	30.04.2018	A3	QIF-180-002-0150
	CHECKED	TOCO	30.04.2018	FILE NAME: QIF-180-001-0150 QIF-180-002-0150.dft	
	ENG APPR	TOCO	30.04.2018	SCALE: 1:2	REV:
MGR APPR	TOCO	30.04.2018	WEIGHT:	SHEET: 2 OF 3	

UNLESS OTHERWISE SPECIFIED DIMENSIONS ARE IN MILLIMETERS AND TOLERANCES ARE +/-0,5

REV	DESCRIPTION	DATE	APPROVED
REVISION HISTORY			

DUAL PLATE CHECK VALVE
DN150 / PN10