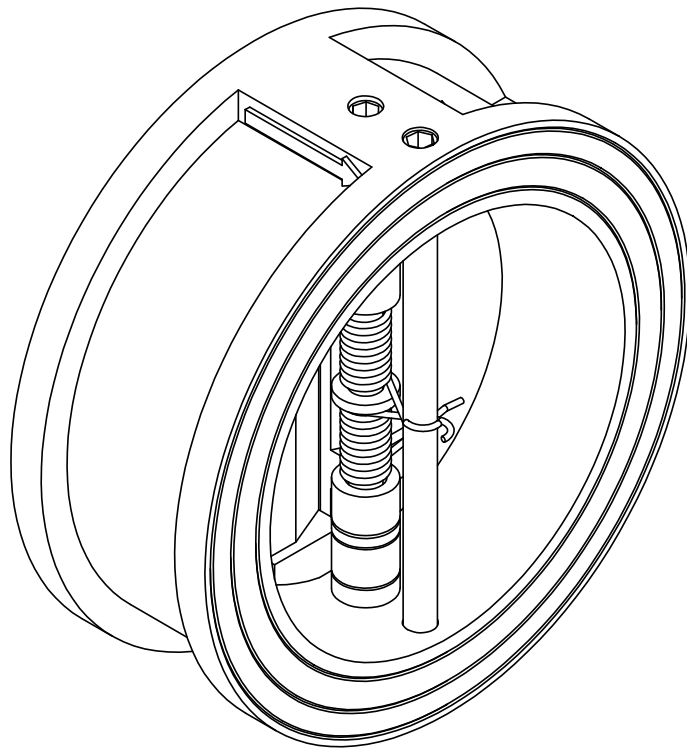
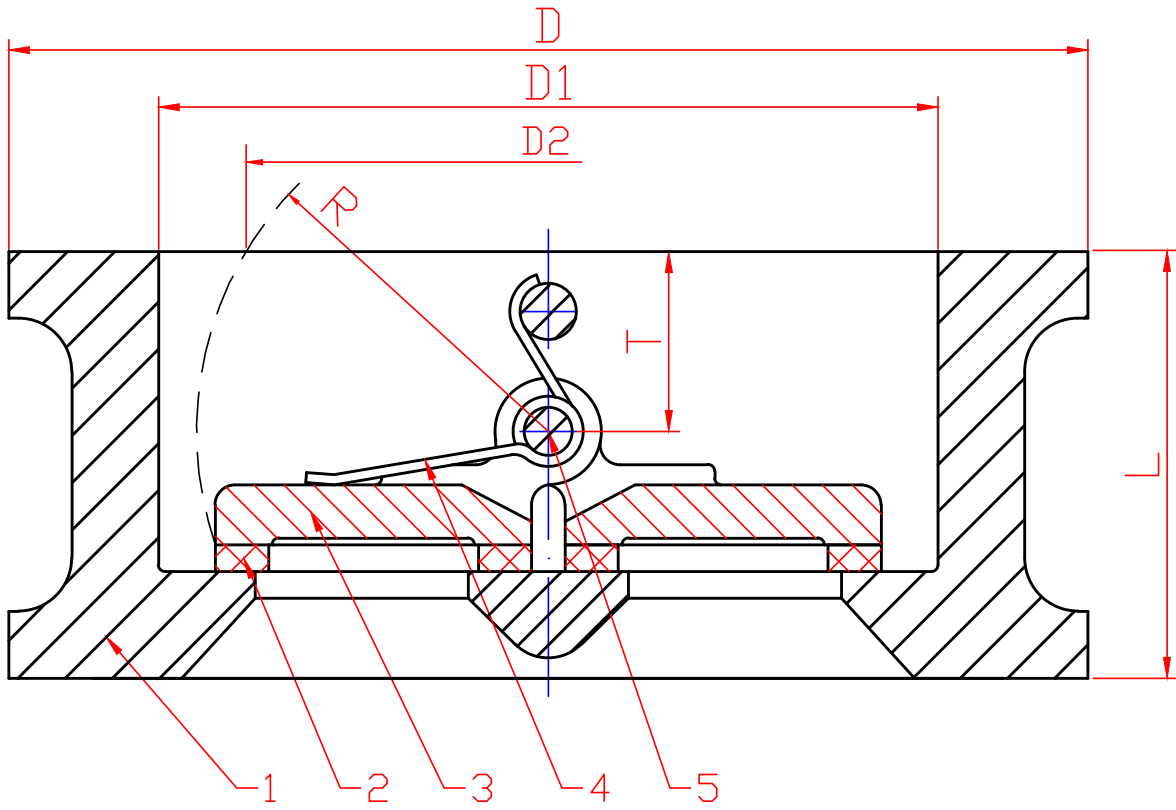



SIZE		D	D1	D2	L	R	T
(mm)	(inch)						
DN50	2"	107	65	43.3	43	28.8	19
DN65	2 1/2"	127	80	60.2	46	36.1	20
DN80	3"	142	94	66.4	64	43.4	28
DN100	4"	162	117	90.8	64	52.8	27
DN125	5"	192	145	116.9	70	65.7	30
DN150	6"	218	170	144.6	76	78.6	31
DN200	8"	273	224	198.2	89	104.4	33
DN250	10"	328	265	233.7	114	127.0	50
DN300	12"	378	310	283.9	114	148.3	43
DN350	14"	438	360	332.9	127	172.4	45
DN400	16"	489	410	381.0	140	197.4	52
DN450	18"	539	450	419.9	152	217.8	58
DN500	20"	594	505	467.8	152	241.0	58
DN600	24"	700	624	572.6	178	295.4	73
DN700	28"	820	720	661.6	229	345.0	98
DN800	32"	930	825	762.2	241	394.0	100



No.	Part Name	Material	Qty.
1	Body	DI	1
2	Seat	EPDM	1
3	Disc	Al.Br.	2
4	Spring	SS316	2
5	Stem	SS316	2

NOTE:
1. FACE TO FACE ISO5752
2. JOINT FLANGE BS4504 PN10/PN16
3. TEST API598

TECHNICAL DATA		
NOMINAL DIAMETER	DN500-DN800	DN50-DN450
NOMINAL PRESSURE	1.0 MPa	1.6 MPa
TESTING PRESSURE (SEALING)	1.1 MPa	1.76 MPa
TESTING PRESSURE (SHELL)	1.5 MPa	2.4 MPa

 TITLE DUAL PLATE CHECK VALVE DN50-DN800 PN10/PN16 DISC AL.BR.		NAME	DATE	SIZE	DWG NO	UNLESS OTHERWISE SPECIFIED DIMENSIONS ARE IN MILLIMETERS AND TOLERANCES ARE +/-0,5	REV DESCRIPTION DATE APPROVED REVISION HISTORY
	DRAWN	MOTO	dd.mm.yyyy	A3	H77X10-0232		
	CHECKED	TOCO	dd.mm.yyyy	FILE NAME: QIF-180-001-DN50-DN800.pdf			
	ENG APPR	TOCO	dd.mm.yyyy	SCALE:	REV:		
MGR APPR	TOCO	dd.mm.yyyy	WEIGHT:	SHEET: 1 OF 1			