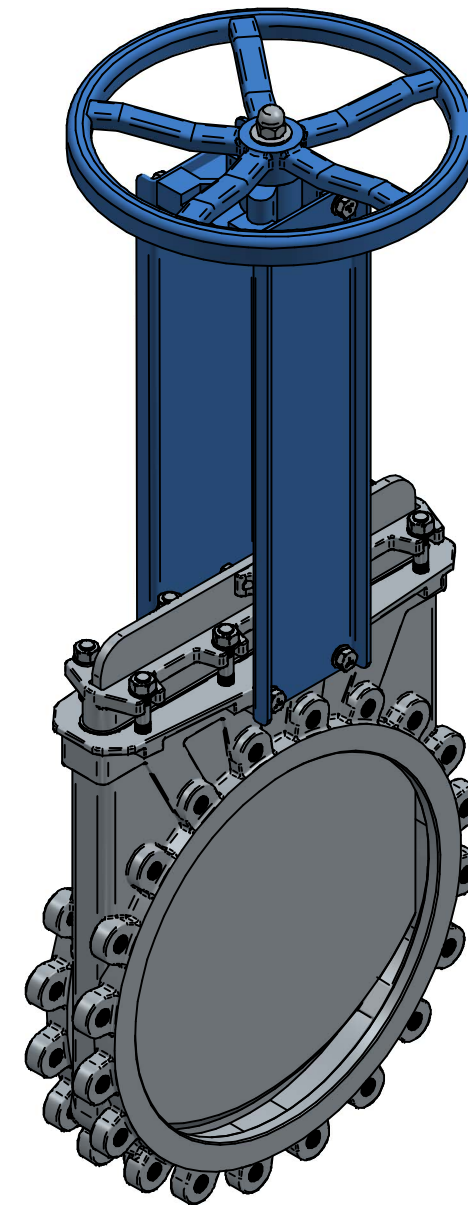


SECTION A-A



	NAME	DATE	SIZE	DWG NO
DRAWN	MOTO	05.05.2021	A3	
CHECKED	ORLA	05.05.2021	FILE NAME: QIF-170-V03-0500.dft	
ENG APPR	TOCO	dd.mm.yyyy	SCALE: 1:9	REV: 01
MGR APPR	TOCO	dd.mm.yyyy	WEIGHT:	SHEET: 1 OF 1

TITLE
DN500 PN10 SS316 KNIFE GATE VALVE UNI-DIRECTION
SS316 BODY, KNIFE AND STEM, EPOXY STEEL SUPPORTER
VITON SEAT, HANDWHEEL, NON RISING STEM

UNLESS OTHERWISE SPECIFIED DIMENSIONS ARE IN MILLIMETERS AND TOLERANCES ARE +/-0,5

REV	DESCRIPTION	DATE	APPROVED
01	UPDATED HEIGHT	05.05.2021	ORLA
00	ISSUE	06.11.2020	RESO
REVISION HISTORY			