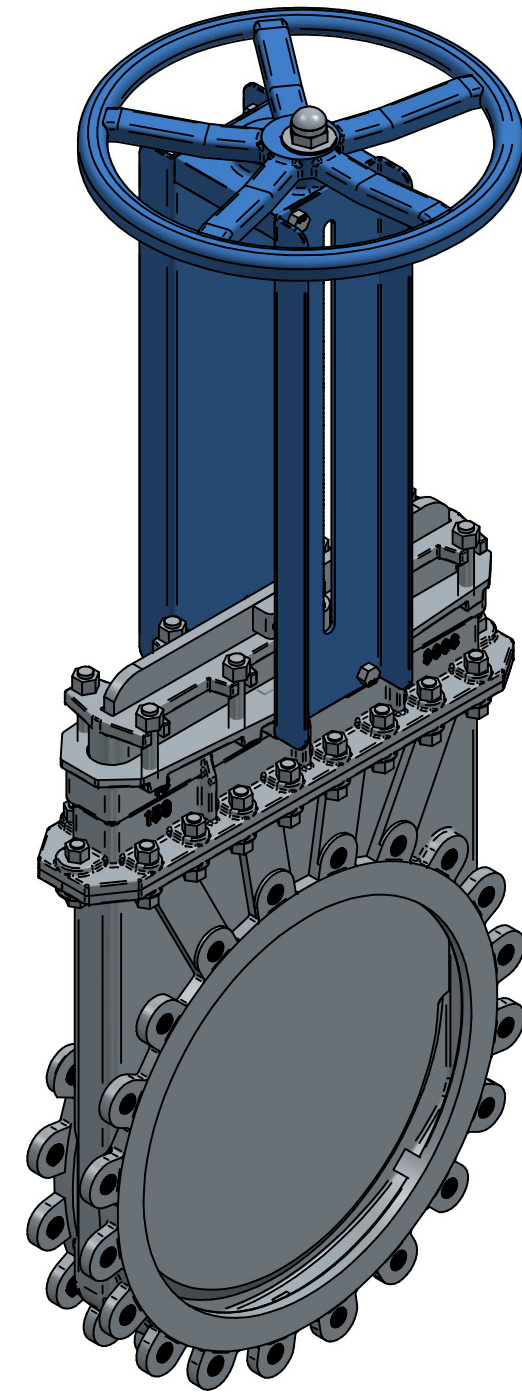


SECTION A-A



TITLE  
DN450 PN10 SS316 KNIFE GATE VALVE UNI-DIRECT  
SS316 BODY, KNIFE AND STEM, EPOXY STEEL SUPPORTER  
VITON SEAT, HANDWHEEL, NON RISING STEM

	NAME	DATE	SIZE	DWG NO
DRAWN	MOTO	06.11.2020	<b>A3</b>	QIF-170-V03-0450
CHECKED	ORLA	06.11.2020	FILE NAME: QIF-170-V03-0450.dft	
ENG APPR	TOCO	dd.mm.yyyy	SCALE: 1:7,5	REV: .....
MGR APPR	TOCO	dd.mm.yyyy	WEIGHT:	SHEET: 1 OF 1

UNLESS OTHERWISE SPECIFIED DIMENSIONS ARE IN MILLIMETERS AND TOLERANCES ARE +/-0,5

REV	DESCRIPTION	DATE	APPROVED
REVISION HISTORY			