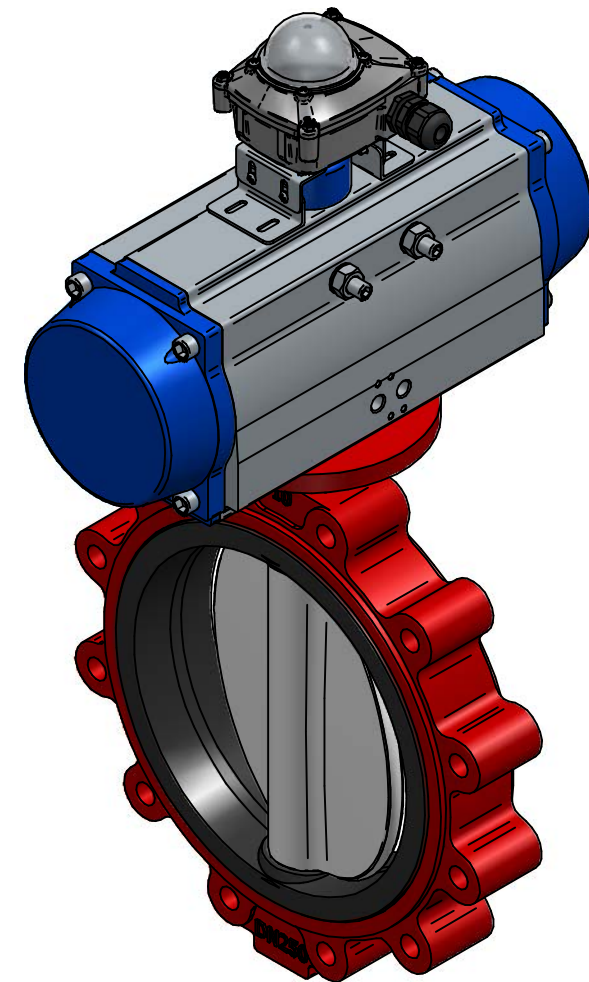


POS	Item Number	Description
1	QIF-110-011-0250	LT BUTTERFLY VALVE GGG40 DN250 LUG PN10
2	NUTNKD-140	PNEUMATICACTUATOR DOUBLEACTING, 513NM@6BAR
3	NUTNTS-CP10	SWITCHBOX, ALUMINIUM ALLOY+EPOXY COATED BODY
4	NUTGLD-M20	CABLE GLAND M20x1.5, WATERPROOF TYPE IP68
5	AVS00006	2901-1/8 LYDDEMPER



TITLE	NAME		DATE	SIZE	DWG NO
	DRAWN	MOTO	12.05.2021	<b>A3</b>	QIF-111-NDA-0250B
	CHECKED	ORLA	dd.mm.yyyy	FILE NAME: QIF-111-NDA-0250B.dft	
	ENG APPR	TOCO	dd.mm.yyyy	SCALE: 1:6	REV: 01
MGR APPR	TOCO	dd.mm.yyyy	WEIGHT:	SHEET: 1 OF 1	

UNLESS OTHERWISE SPECIFIED DIMENSIONS ARE IN MILLIMETERS AND TOLERANCES ARE +/-0,5

REV	DESCRIPTION	DATE	APPROVED
REVISION HISTORY			