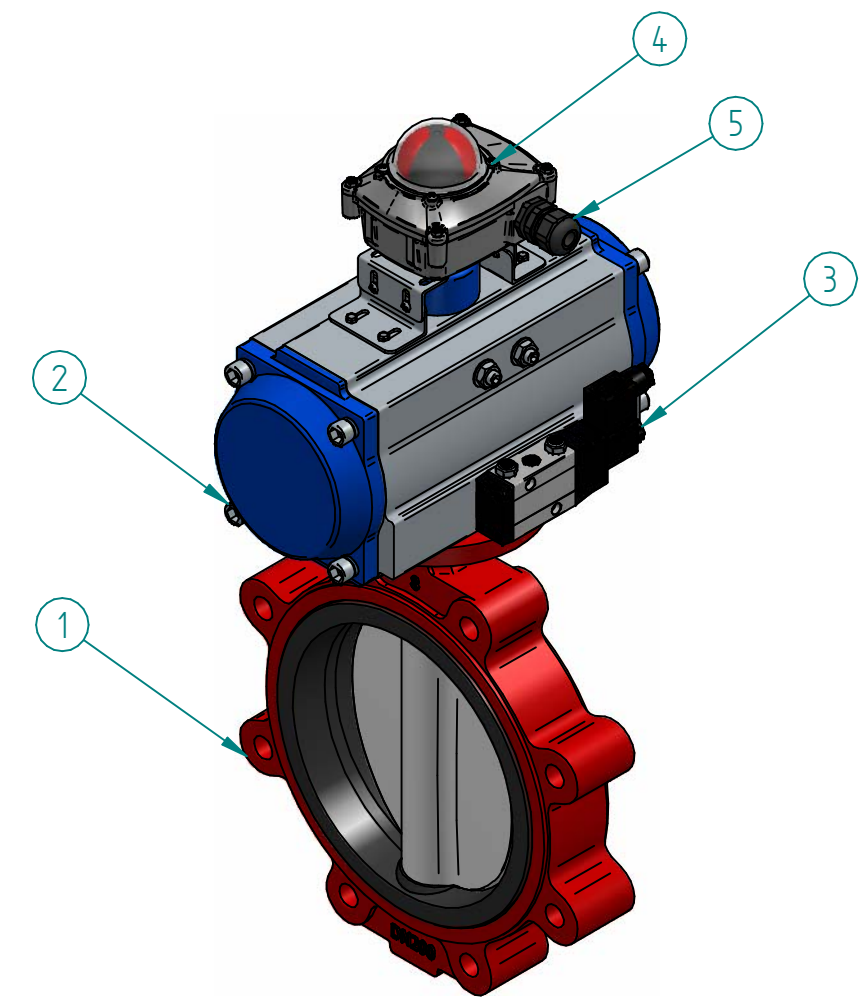


POS	Item Number	Description
1	QIF-110-011-0200	LT BUTTERFLY VALVE GGG40 DN200 LUG PN10
2	NUTNKD-125	PNEUMATICACTUATOR DOUBLEACTING, 301NM@6BAR
3	NUT-280-110-0008B	BODY ALU. SOLENOID 24VDC W/ OVERTVOLTAGE PROT.
4	NUTNTS-CP10	SWITCHBOX, ALUMINIUM ALLOY+EPOXY COATED BODY
5	NUTGLD-M20	CABLE GLAND M20x1.5, WATERPROOF TYPE IP68
6	NUTMUF-SD-6	SD TYPE OF TIMING MUFFLER, SD-6, BSPP 1/8"

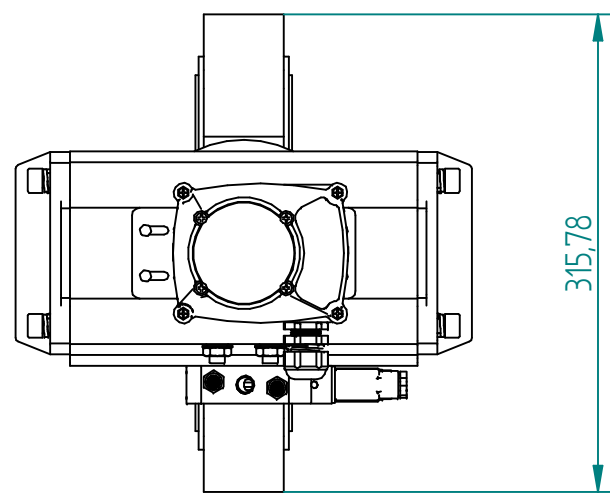
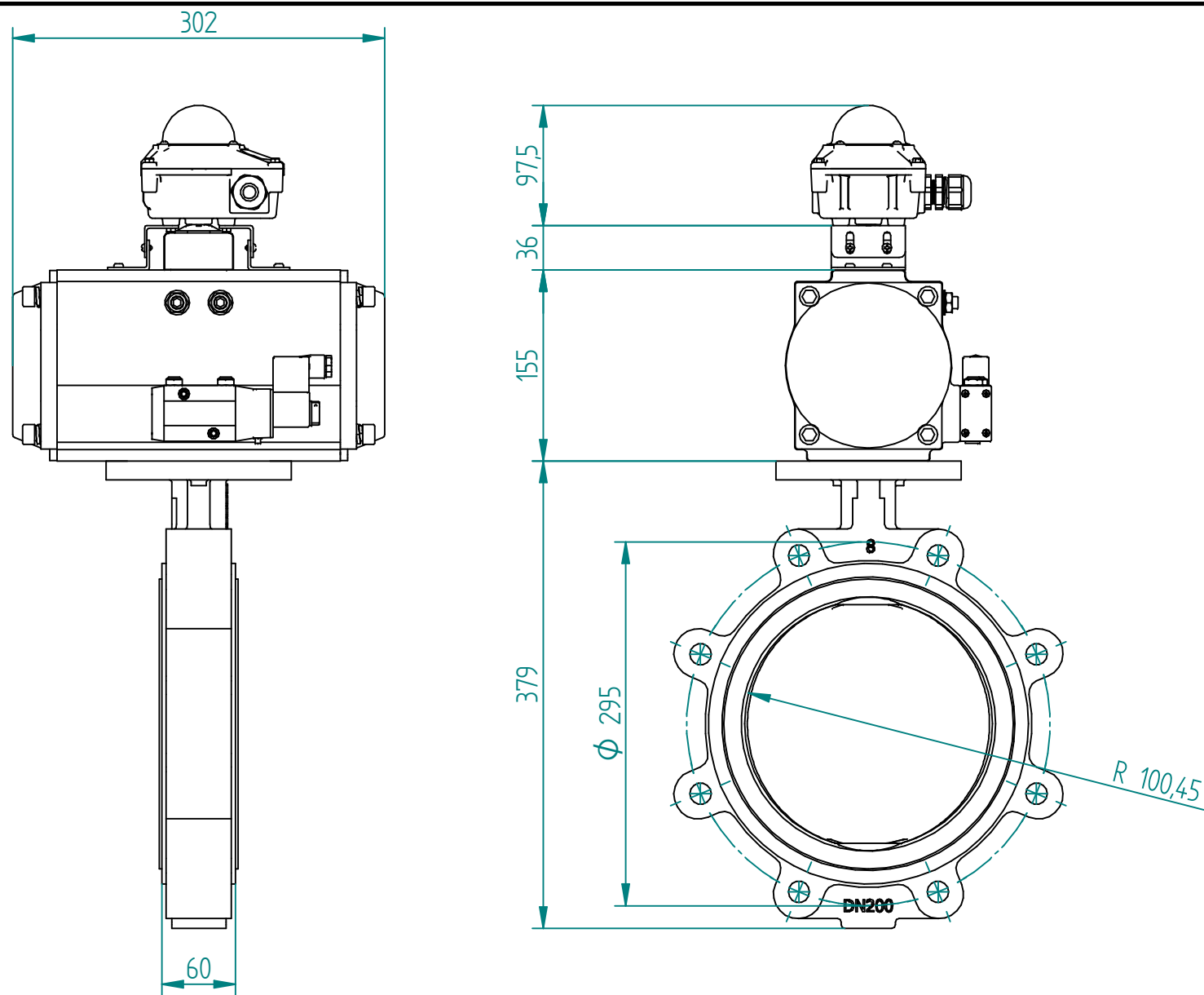


TITLE LT BUTTERFLY VALVE DN200 LUG PN10
WITH DA ACTUATOR INCL. 5/2 SOLENOID 24VDC
AND SWITCHBOX

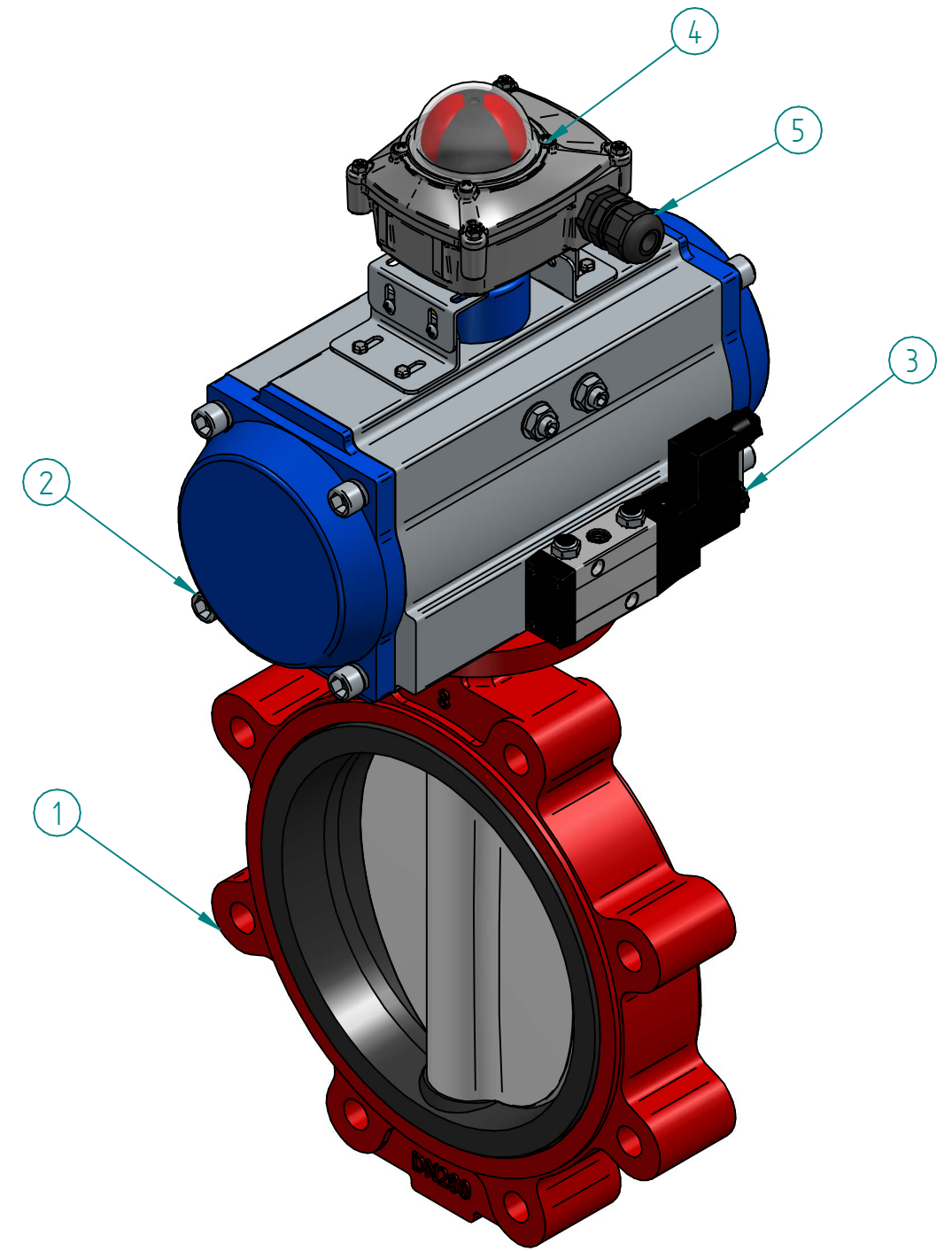
	NAME	DATE	SIZE	DWG NO
DRAWN	HESG	10.12.2020	A3	QIF-111-NDA-0200
CHECKED	ORLA	dd.mm.yyyy	FILE NAME: QIF-111-NDA-0200.dft	
ENG APPR	TOCO	dd.mm.yyyy	SCALE: 1:5	REV:
MGR APPR	TOCO	dd.mm.yyyy	WEIGHT:	SHEET: 1 OF 1

UNLESS OTHERWISE
SPECIFIED
DIMENSIONS ARE IN
MILLIMETERS
AND TOLERANCES ARE
+/-0,5

REV	DESCRIPTION	DATE	APPROVED
REVISION HISTORY			



POS	Item Number	Description
1	QIF-110-011-0200	LT BUTTERFLY VALVE GGG40 DN200 LUG PN10
2	NUTNKD-125	PNEUMACTUATOR DOUBLEACTING, 301NM@6BAR
3	NUT-280-111-0008B	BODY ALU. SOLENOID 230VAC W/ OVERVOLTAGE PROT.
4	NUTNTS-CP10	SWITCHBOX, ALUMINIUM ALLOY+EPOXY COATED BODY
5	NUTGLD-M20	CABLE GLAND M20x1.5, WATERPROOF TYPE IP68
6	NUTMUF-SD-6	SD TYPE OF TIMING MUFFLER, SD-6, BSPP 1/8"



TITLE LT BUTTERFLY VALVE DN200 LUG PN10 WITH DA ACTUATOR INCL. 5/2 SOLENOID 230VAC AND SWITCHBOX

	NAME	DATE	SIZE	DWG NO
DRAWN	HESG	10.12.2020	A3	QIF-111-NDA230-0200
CHECKED	ORLA	dd.mm.yyyy	FILE NAME: QIF-111-NDA-0200.dft	
ENG APPR	TOCO	dd.mm.yyyy	SCALE: 1:5	REV:
MGR APPR	TOCO	dd.mm.yyyy	WEIGHT:	SHEET: 1 OF 1

UNLESS OTHERWISE SPECIFIED DIMENSIONS ARE IN MILLIMETERS AND TOLERANCES ARE +/-0,5

REV	DESCRIPTION	DATE	APPROVED
REVISION HISTORY			