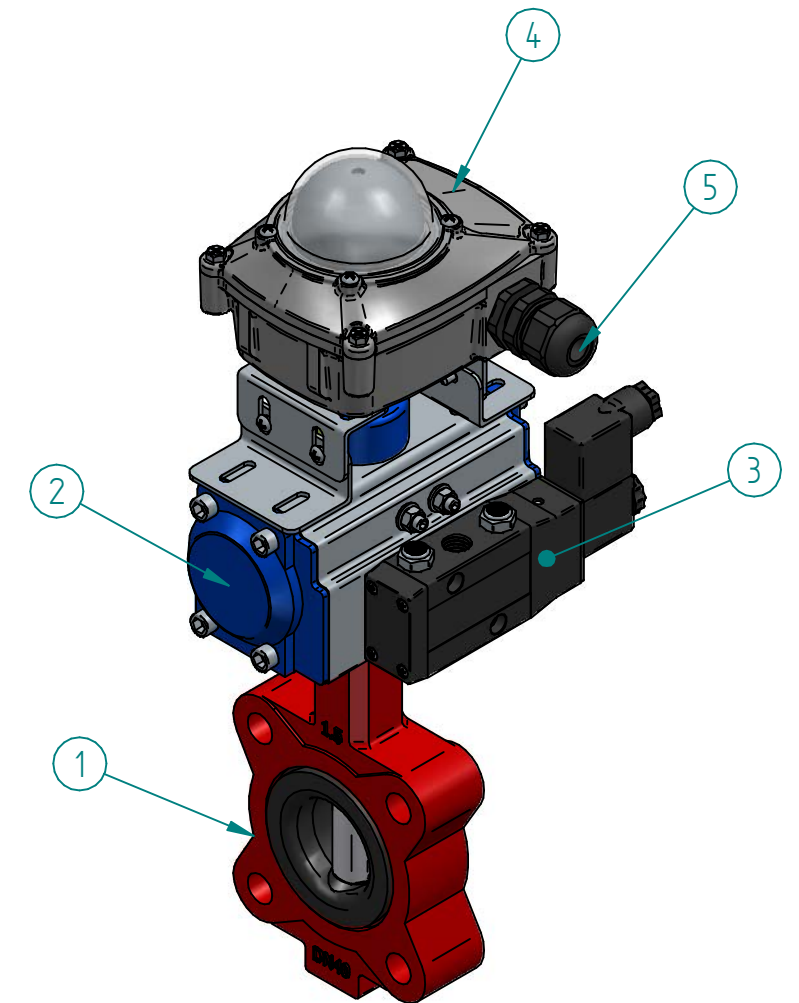


POS	Item Number	Description
1	QIF-110-011-0040	LT BUTTERFLY VALVE GGG40 DN40 LUG PN10/16
2	NUTNKD-052	PNEUMACTUATOR DOUBLEACTING, 24NM@6BAR
3	NUT-280-110-0008B	BODY ALU. SOLENOID 24VDC W/ OVERVOLTAGE PROT.
4	NUTNTS-CP10	SWITCHBOX, ALUMINIUM ALLOY+EPOXY COATED BODY
5	NUTGLD-M20	CABLE GLAND M20x1.5, WATERPROOF TYPE IP68
6	NUTMUF-SD-6	SD TYPE OF TIMING MUFFLER, SD-6, BSPP 1/8"



TITLE LT BUTTERFLY VALVE DN40 LUG PN10 WITH PNEU DA ACTUATOR INCL. 5/2 SOLENOID 24VDC AND SWITCHBOX

	NAME	DATE	SIZE	DWG NO
DRAWN	HESG	17.11.2020	A3	QIF-111-NDA-0040
CHECKED	ORLA	dd.mm.yyyy	FILE NAME: QIF-111-NDA-0040.dft	
ENG APPR	TOCO	dd.mm.yyyy	SCALE: 1:3	REV: 01
MGR APPR	TOCO	dd.mm.yyyy	WEIGHT:	SHEET: 1 OF 1

UNLESS OTHERWISE SPECIFIED DIMENSIONS ARE IN MILLIMETERS AND TOLERANCES ARE +/-0,5

REV	DESCRIPTION	DATE	APPROVED
01	Updated model from manufacturer	14.04.2021	ORLA
00	Issued	17.11.2020	ORLA

REVISION HISTORY