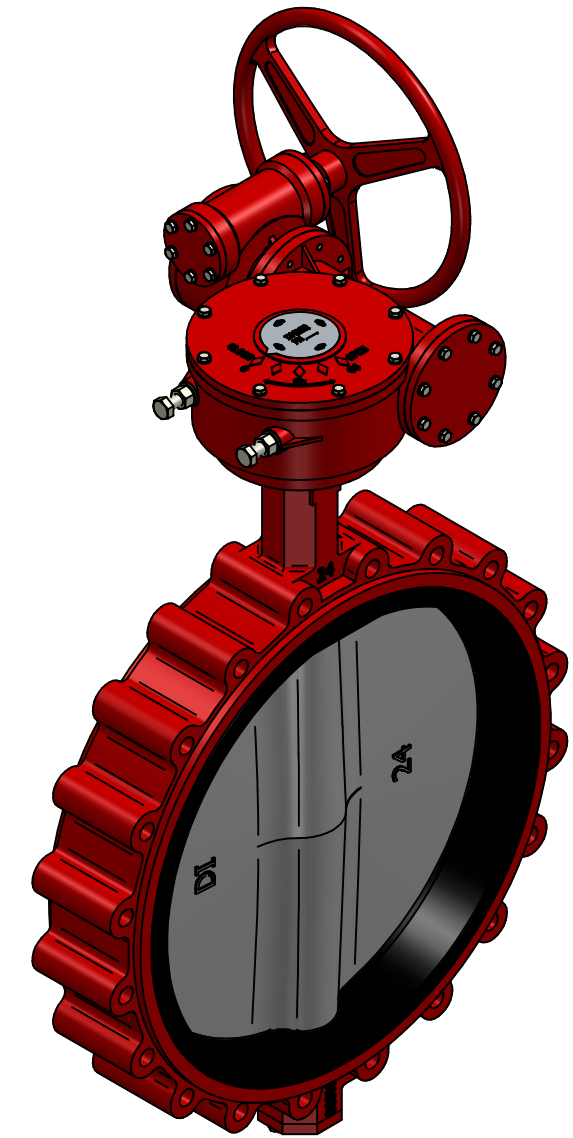
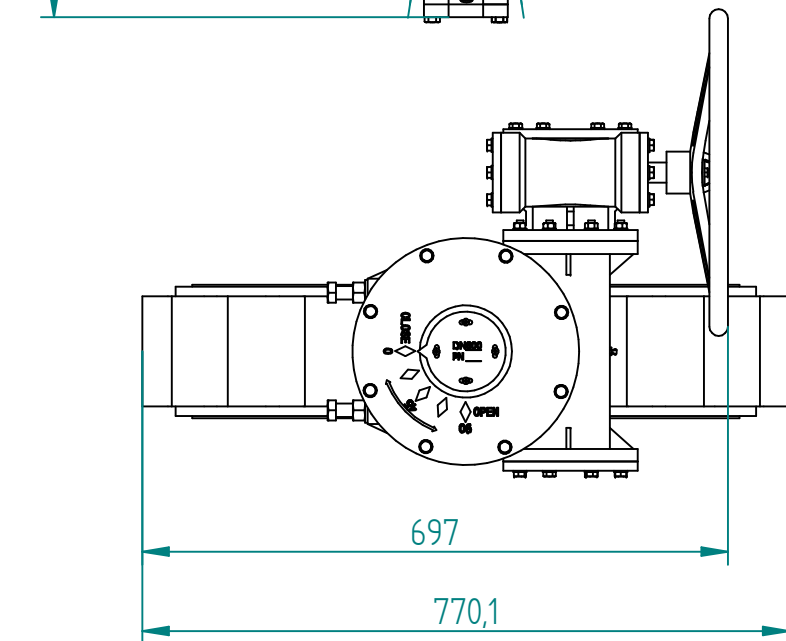


No.	Part Name	Material
1	Body	GGG40
2	Disc	Duplex 2205
3	Shaft	Duplex 2205
4	Seat	EPDM
5	Worm Gear	CI (Shell DI)
6	Bolts	A4-70



		NAME	DATE	SIZE	DWG NO
TITLE LUG BUTTERFLY VALVE GGG40 DN600 PN10 WITH GEAR IP65	DRAWN	MOTO	10/13/2023	A3	QIF-10-022-0600
	CHECKED	ORLA	dd.mm.yyyy	FILE NAME: QIF-110-022-0600.dft	
	ENG APPR	TOCO	dd.mm.yyyy	SCALE: 1:5	REV: 01
	MGR APPR	TOCO	dd.mm.yyyy	WEIGHT: 230 kg	SHEET: 1 OF 1

UNLESS OTHERWISE SPECIFIED DIMENSIONS ARE IN MILLIMETERS AND TOLERANCES ARE +/-0,5

REV	DESCRIPTION	DATE	APPROVED
02	UPDATED WEIGHT	13.10.2023	RAGA
01	UPDATED WORM GEAR	11.05.2021	ORLA
00	ISSUE	01.10.2020	RESO
REVISION HISTORY			