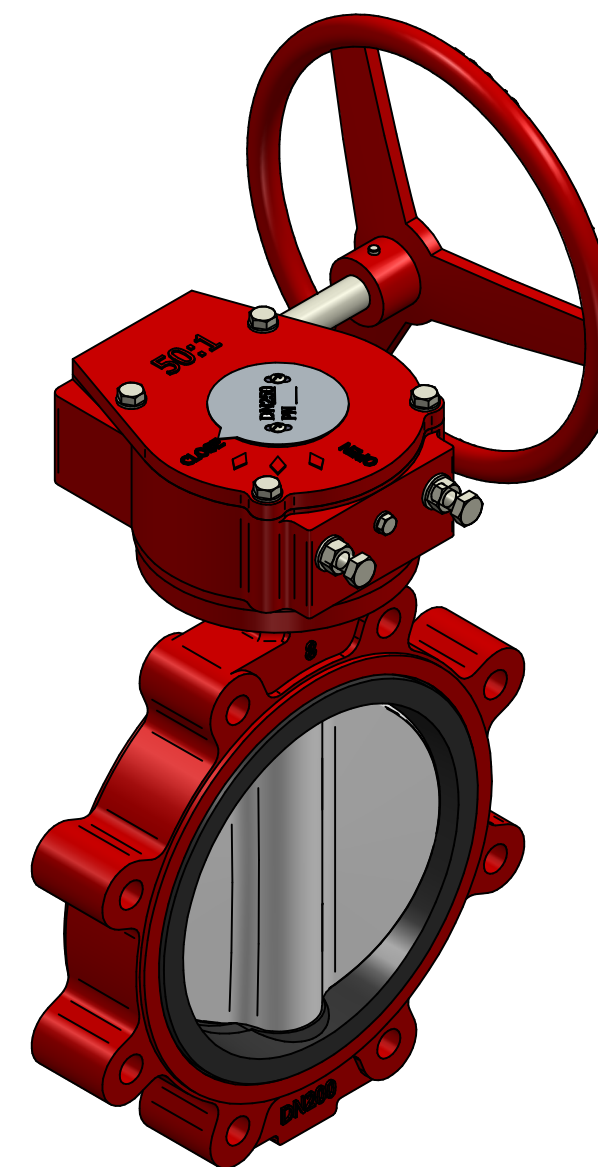


No.	Part Name	Material
1	Body	GGG40
2	Disc	Duplex 2205
3	Shaft	Duplex 2205
4	Seat	EPDM
5	Worm Gear	CI (Shell DI)
6	Bolts	A4-70



TITLE LUG BUTTERFLY VALVE GGG40
DN200 PN10 WITH GEAR IP65

	NAME	DATE	SIZE	DWG NO
DRAWN	MOTO	10/13/2023	A3	QIF-110-022-0200
CHECKED	ORLA	dd.mm.yyyy	FILE NAME: QIF-110-022-0200.dft	
ENG APPR	TOCO	dd.mm.yyyy	SCALE: 1:4	REV: 01
MGR APPR	TOCO	dd.mm.yyyy	WEIGHT: 25,8 kg	SHEET: 1 OF 1

UNLESS OTHERWISE SPECIFIED DIMENSIONS ARE IN MILLIMETERS AND TOLERANCES ARE +/-0,5

02	UPDATED WEIGHT	13.10.2023	RAGA
01	UPDATED GEAR BOX	10.05.2021	ORLA
00	ISSUE	30.09.2020	RESO
REV	DESCRIPTION	DATE	APPROVED
REVISION HISTORY			