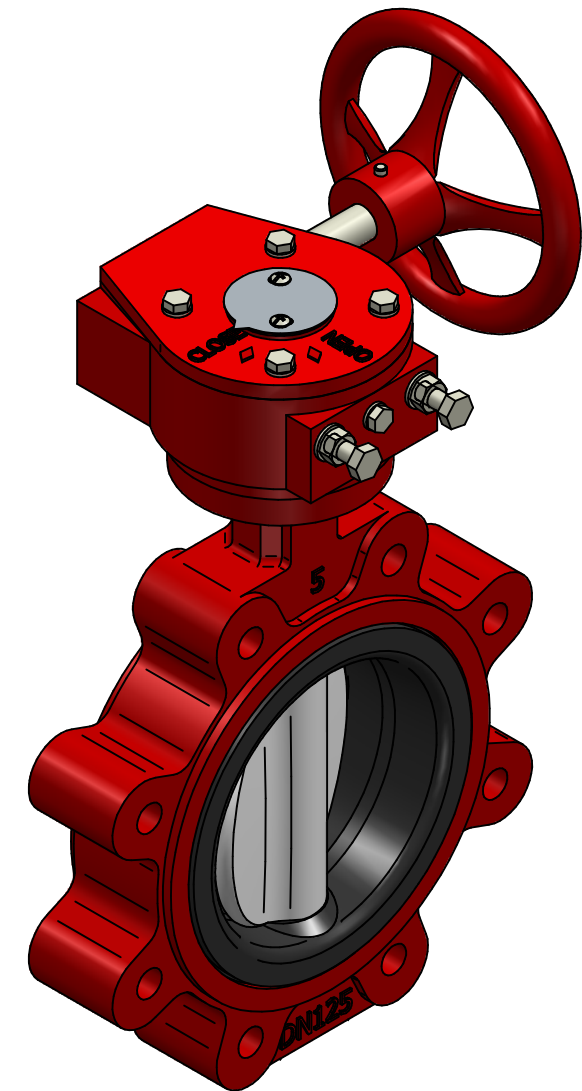


No.	Part Name	Material
1	Body	GGG40
2	Disc	Duplex 2205
3	Shaft	Duplex 2205
4	Seat	EPDM
5	Worm Gear	CI (Shell DI)
6	Bolts	A4-70



		NAME	DATE	SIZE	DWG NO
DRAWN	MOTO	10/13/2023	A3	QIF-110-022-0125	
CHECKED	ORLA	dd.mm.yyyy	FILE NAME: QIF-110-022-0125.dft		
ENG APPR	TOCO	dd.mm.yyyy	SCALE: 1:3	REV: 01	
MGR APPR	TOCO	dd.mm.yyyy	WEIGHT: 13,5 kg	SHEET: 1 OF 1	

UNLESS OTHERWISE SPECIFIED DIMENSIONS ARE IN MILLIMETERS AND TOLERANCES ARE +/-0,5

REV	DESCRIPTION	DATE	APPROVED
02	UPDATED WEIGHT	13.10.2023	RAGA
01	UPDATED WORM GEAR	05.05.2021	ORLA
00	ISSUE	30.09.2020	RESO
REVISION HISTORY			

TITLE LUG BUTTERFLY VALVE GGG40 DN125 PN10 WITH GEAR IP65