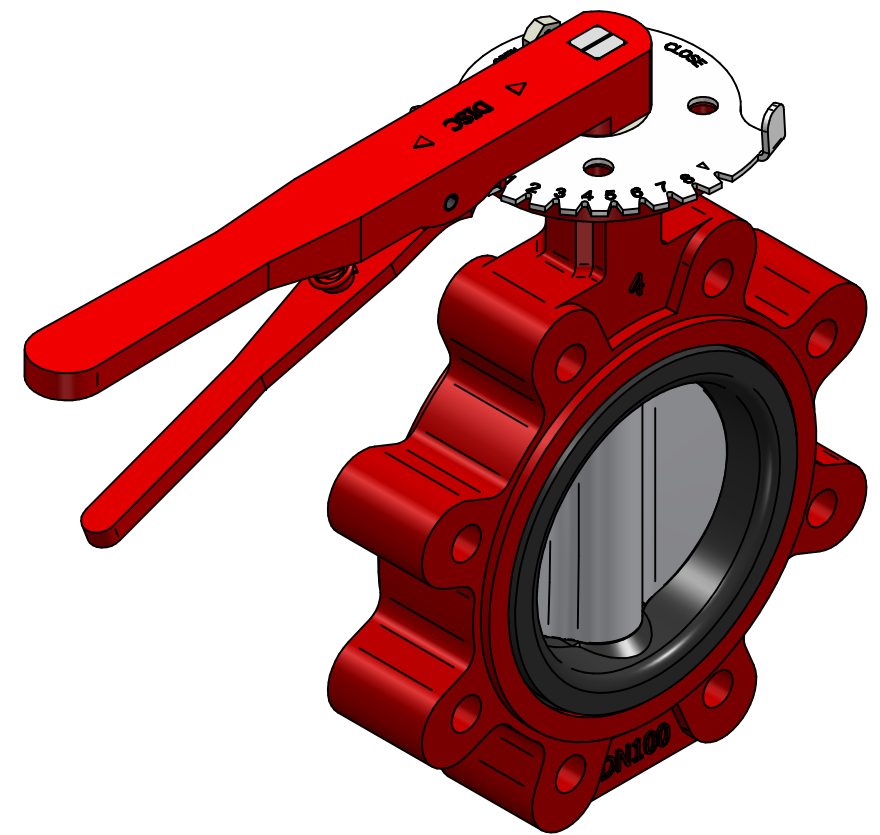
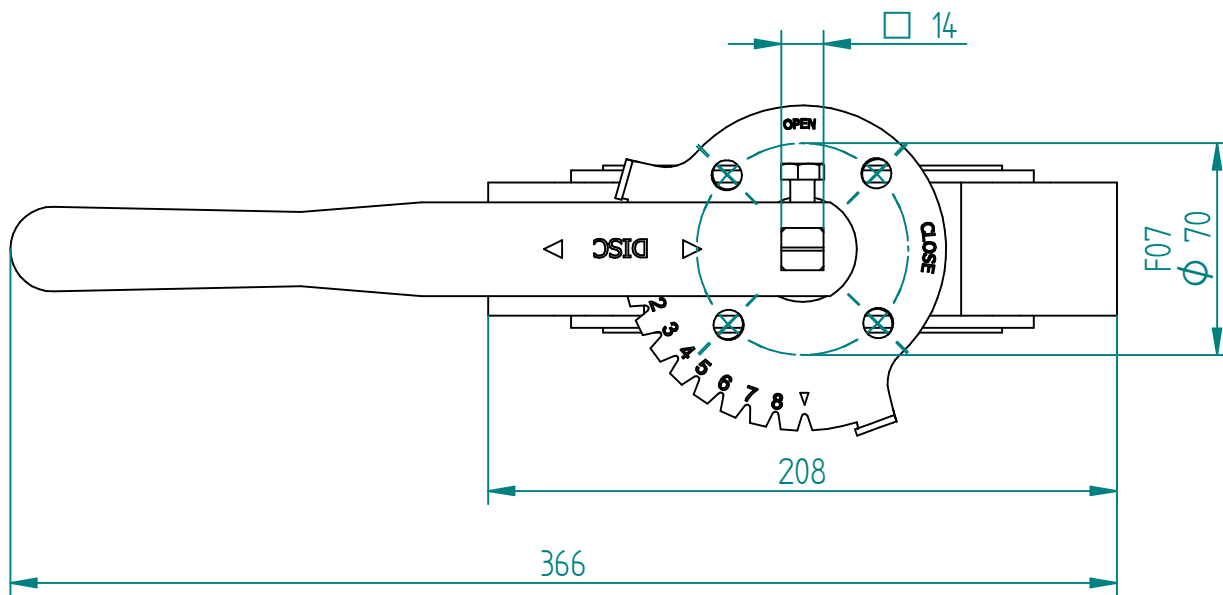
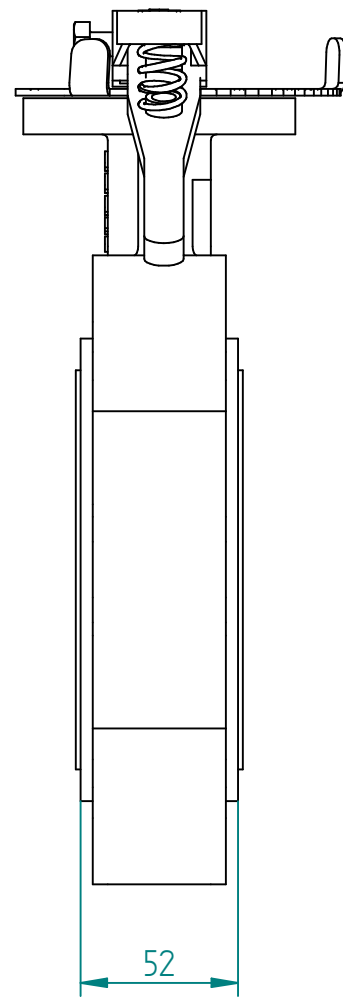
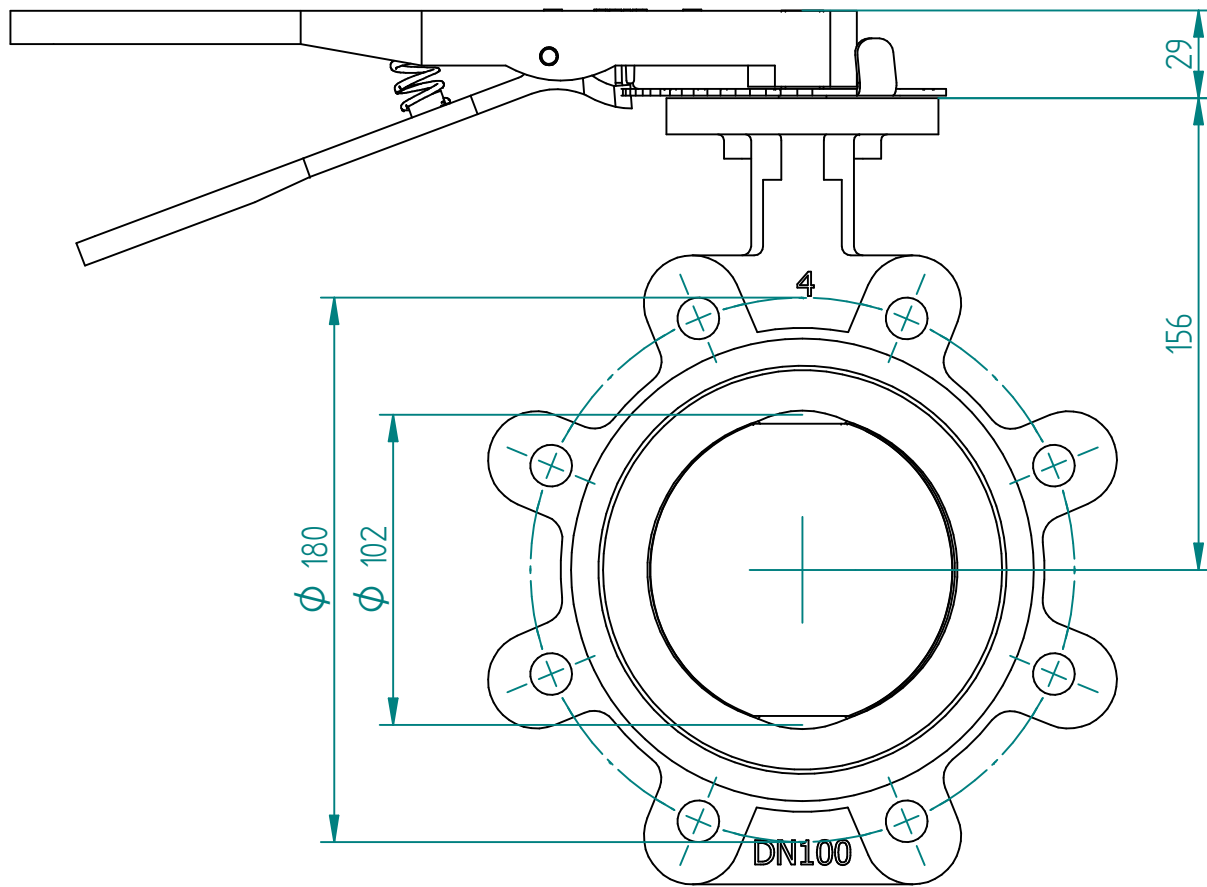


No.	Part Name	Material
1	Body	GGG40
2	Disc	Duplex 2205
3	Shaft	Duplex 2205
4	Seat	EPDM
5	Lever	Mall Iron
6	Ratchet Plate	SS316
7	Bolts	A4-70



DRAWN		NAME	DATE	SIZE	DWG NO
MOTO		MOTO	5/10/2021	A3	QIF-110-021-0100
CHECKED		ORLA	dd.mm.yyyy	FILE NAME: QIF-110-021-0100.dft	
ENG APPR		TOCO	dd.mm.yyyy	SCALE: 1:2.5	REV: 03
MGR APPR		TOCO	dd.mm.yyyy	WEIGHT: 7.3 kg	SHEET: 1 OF 1

UNLESS OTHERWISE SPECIFIED DIMENSIONS ARE IN MILLIMETERS AND TOLERANCES ARE +/-0,5

REV	DESCRIPTION	DATE	APPROVED
03	Added dimensions for top flange	11.03.2024	RAGA
02	UPDATED WEIGHT	13.10.2023	RAGA
01	UPDATED SQR CONNECTION & LEVER	10.05.2021	ORLA
REVISION HISTORY			

TITLE LUG BUTTERFLY VALVE GGG40 DN100 PN10 WITH LEVER