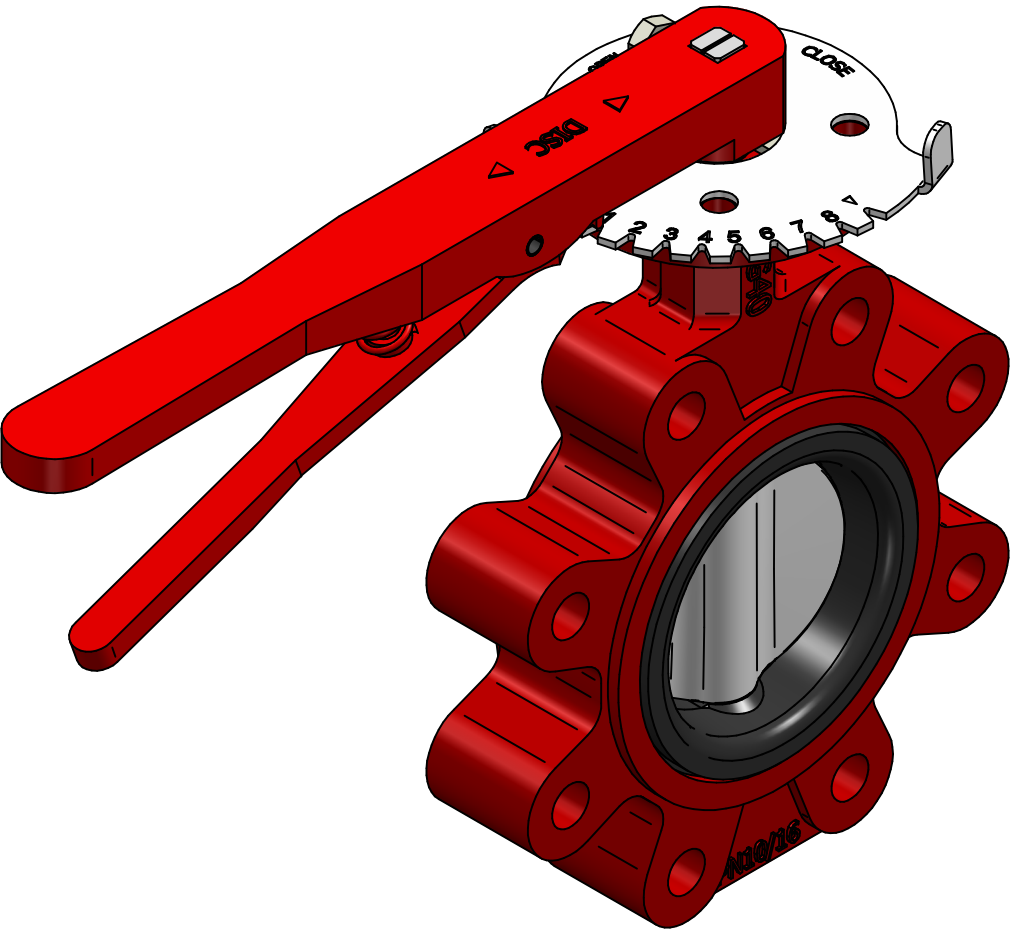
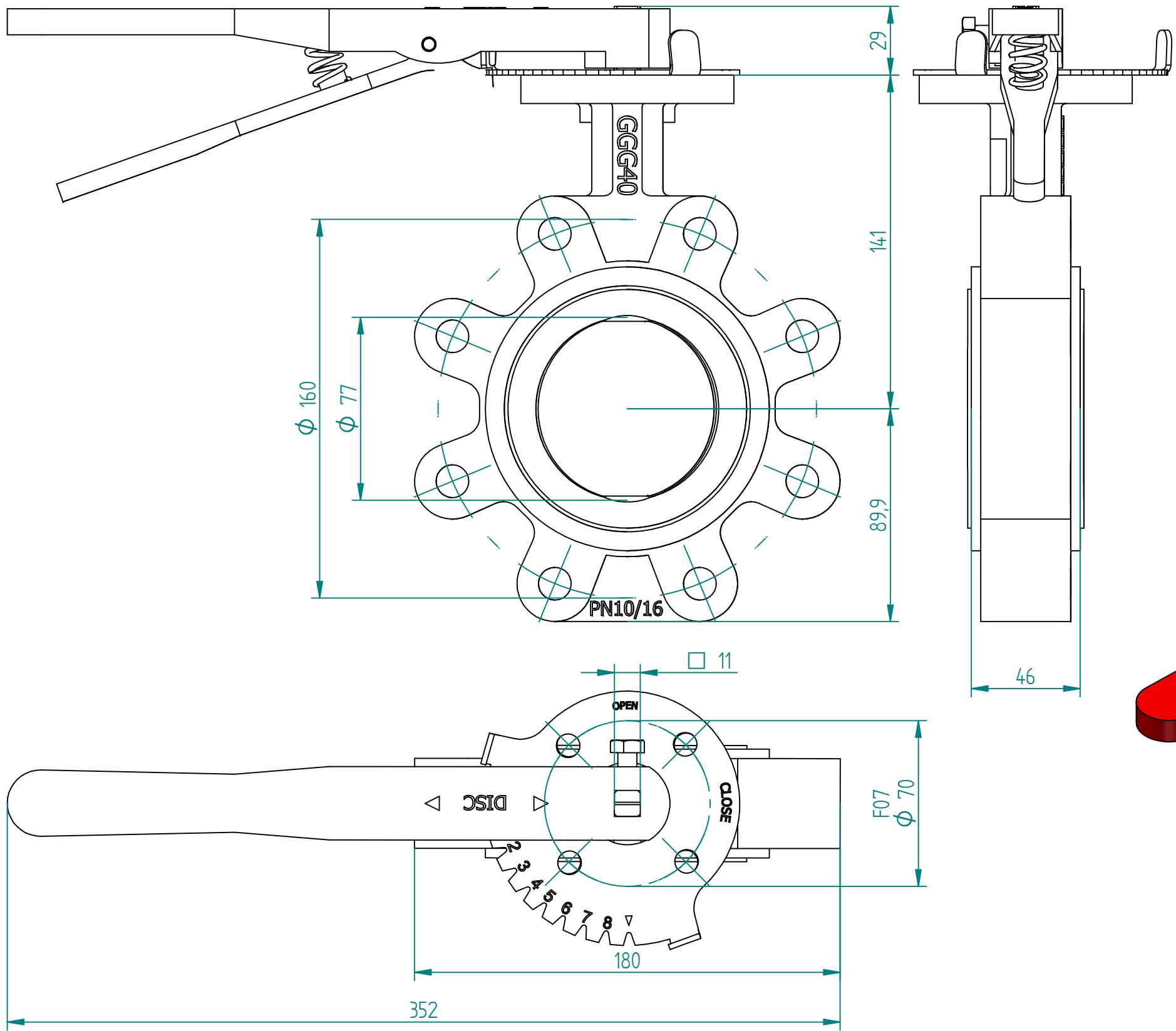


No.	Part Name	Material
1	Body	GGG40
2	Disc	Duplex 2205
3	Shaft	Duplex 2205
4	Seat	EPDM
5	Lever	Mall Iron
6	Ratchet Plate	SS316
7	Bolts	A4-70



		NAME	DATE	SIZE	DWG NO
DRAWN	MOTO	5/10/2021	A3	QIF-110-021-0080	
CHECKED	ORLA	dd.mm.yyyy	FILE NAME: QIF-110-021-0080.dft		
ENG APPR	TOCO	dd.mm.yyyy	SCALE: 2:1	REV: 03	
MGR APPR	TOCO	dd.mm.yyyy	WEIGHT: 5,5 kg	SHEET: 1 OF 1	

UNLESS OTHERWISE SPECIFIED DIMENSIONS ARE IN MILLIMETERS AND TOLERANCES ARE +/-0,5

REV	DESCRIPTION	DATE	APPROVED
03	Added dimensions for top flange and lever.	11.03.2024	RAGA
02	UPDATED WEIGHT	13.10.2023	RAGA
01	UPDATED FACE TO FACE & LEVER	10.05.2021	ORLA
REVISION HISTORY			

TITLE LUG BUTTERFLY VALVE GGG40 DN80 PN10 WITH LEVER