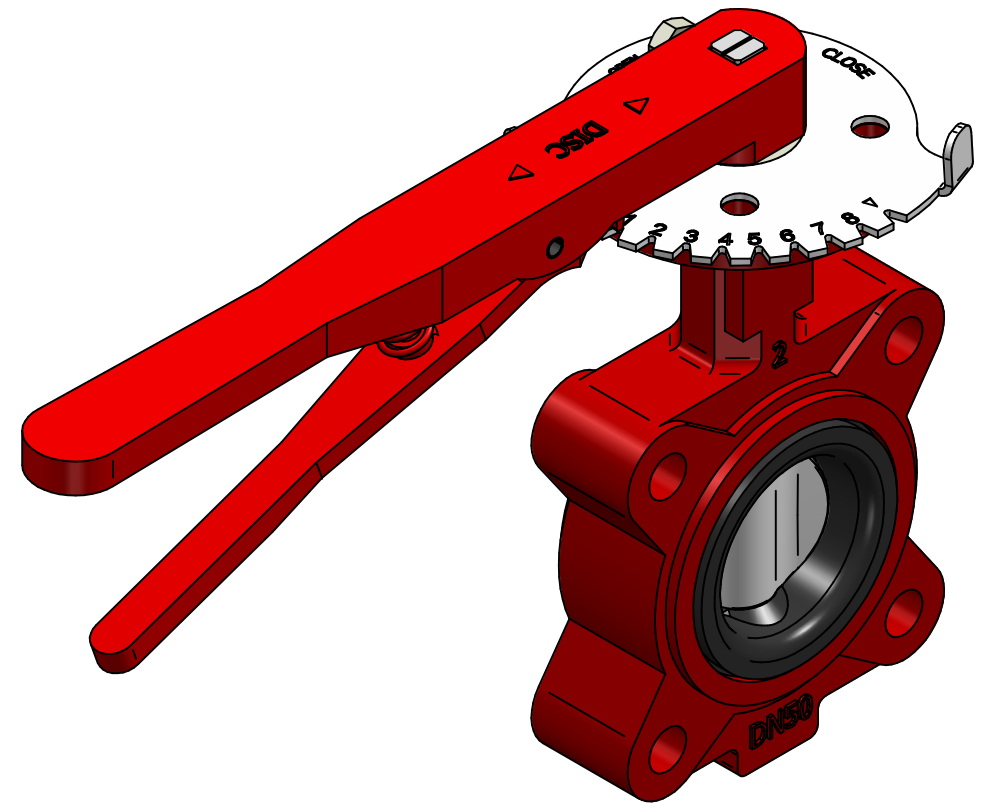
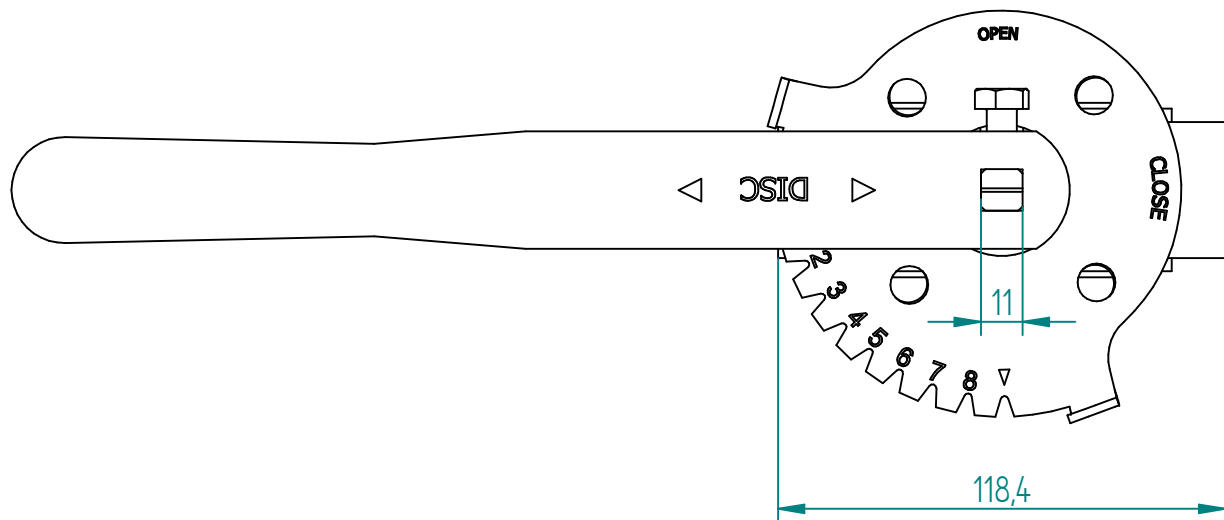
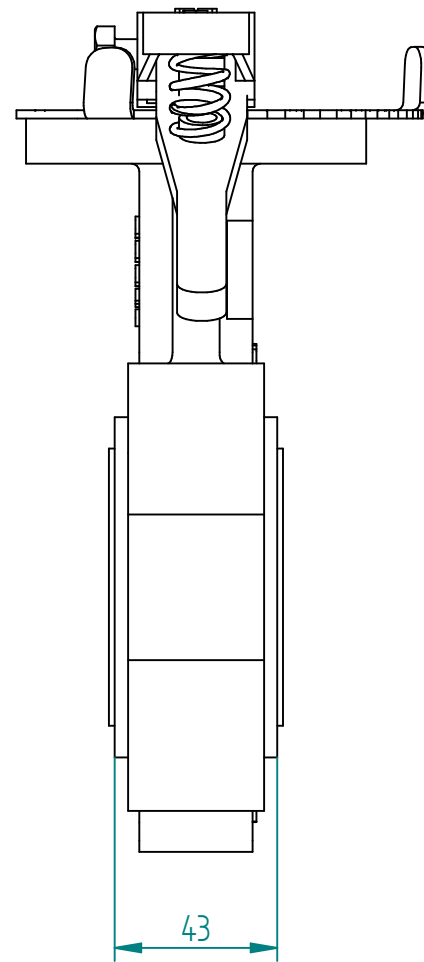
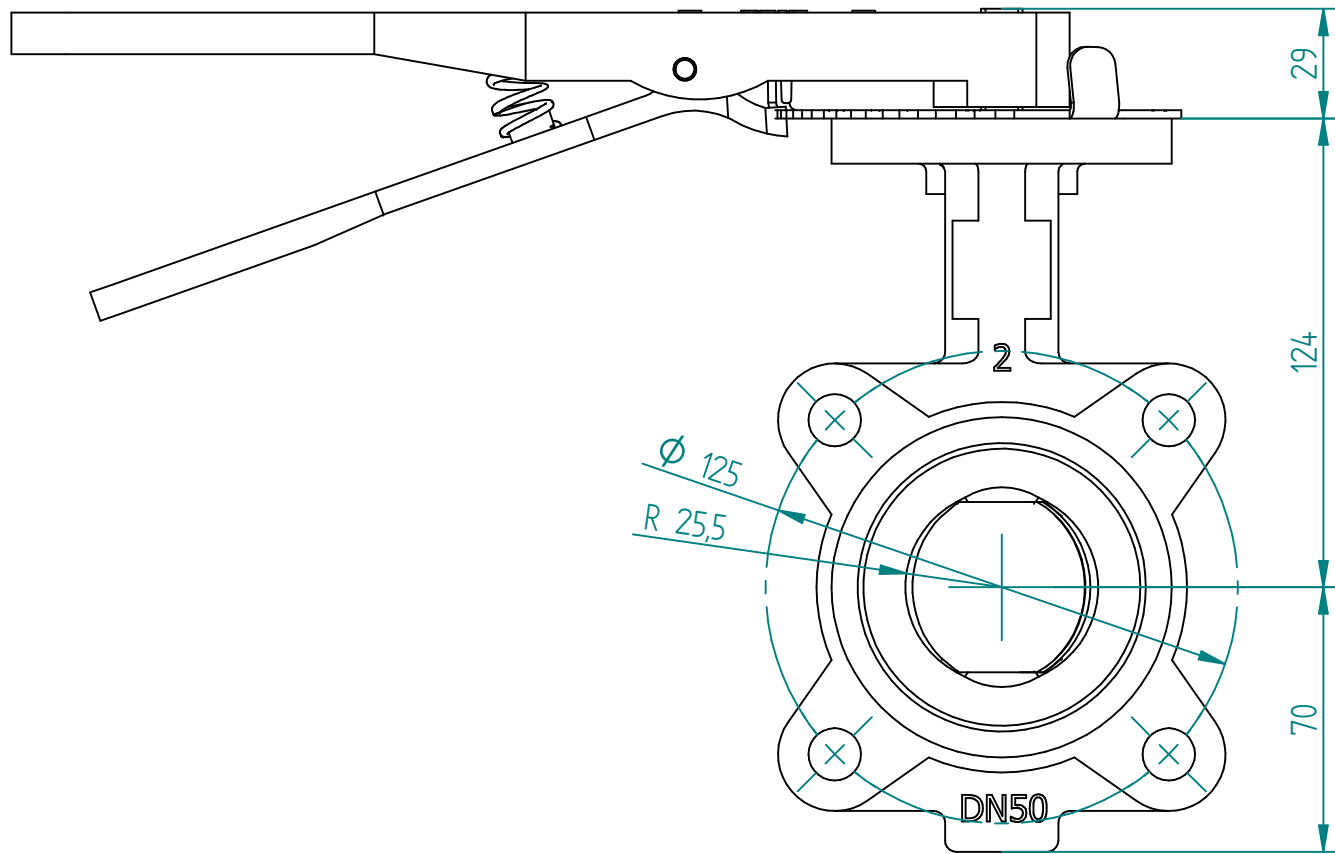


No.	Part Name	Material
1	Body	GGG40
2	Disc	Duplex 2205
3	Shaft	Duplex 2205
4	Seat	EPDM
5	Lever	Mall Iron
6	Ratchet Plate	SS316
7	Bolts	A4-70



		NAME	DATE	SIZE	DWG NO
DRAWN	MOTO	5/10/2021	A3	QIF-110-021-0050	
CHECKED	ORLA	dd.mm.yyyy	FILE NAME: QIF-110-021-0050.dft		
ENG APPR	TOCO	dd.mm.yyyy	SCALE: 1:2	REV: 01	
MGR APPR	TOCO	dd.mm.yyyy	WEIGHT: 3,8 kg	SHEET: 1 OF 1	

UNLESS OTHERWISE SPECIFIED DIMENSIONS ARE IN MILLIMETERS AND TOLERANCES ARE +/-0,5

REV	DESCRIPTION	DATE	APPROVED
01	UPDATED WEIGHT	13.10.2023	RAGA
01	UPDATED FACE TO FACE & LEVER	10.05.2021	ORLA
00	ISSUE	06.10.2020	ERKJ
REVISION HISTORY			

TITLE LUG BUTTERFLY VALVE GGG40 DN50 PN10 WITH LEVER