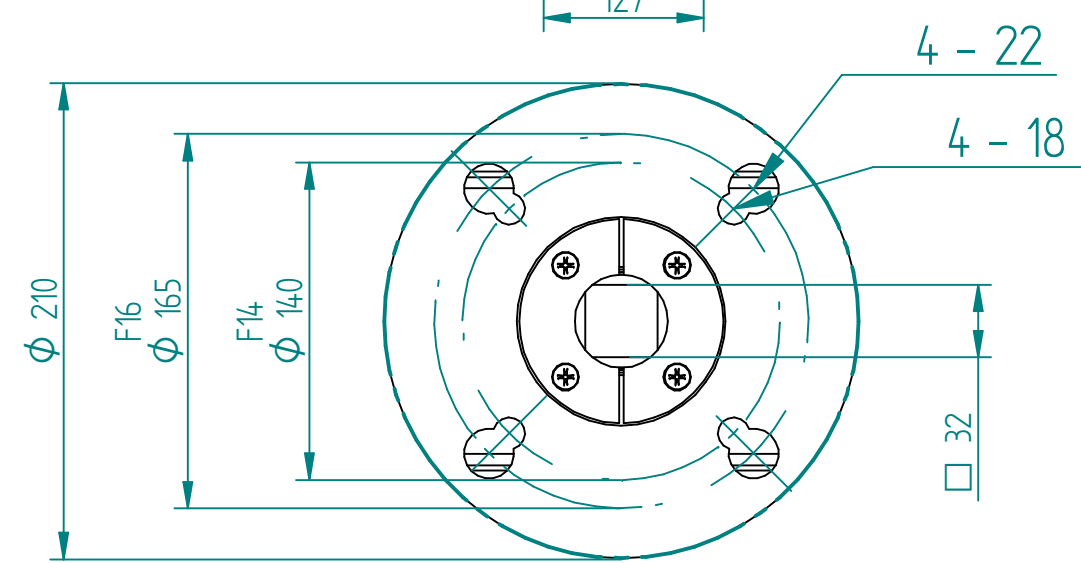
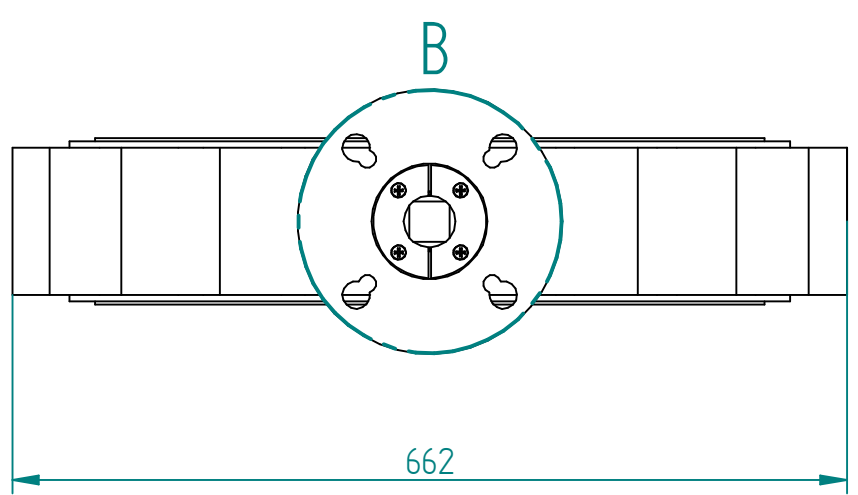
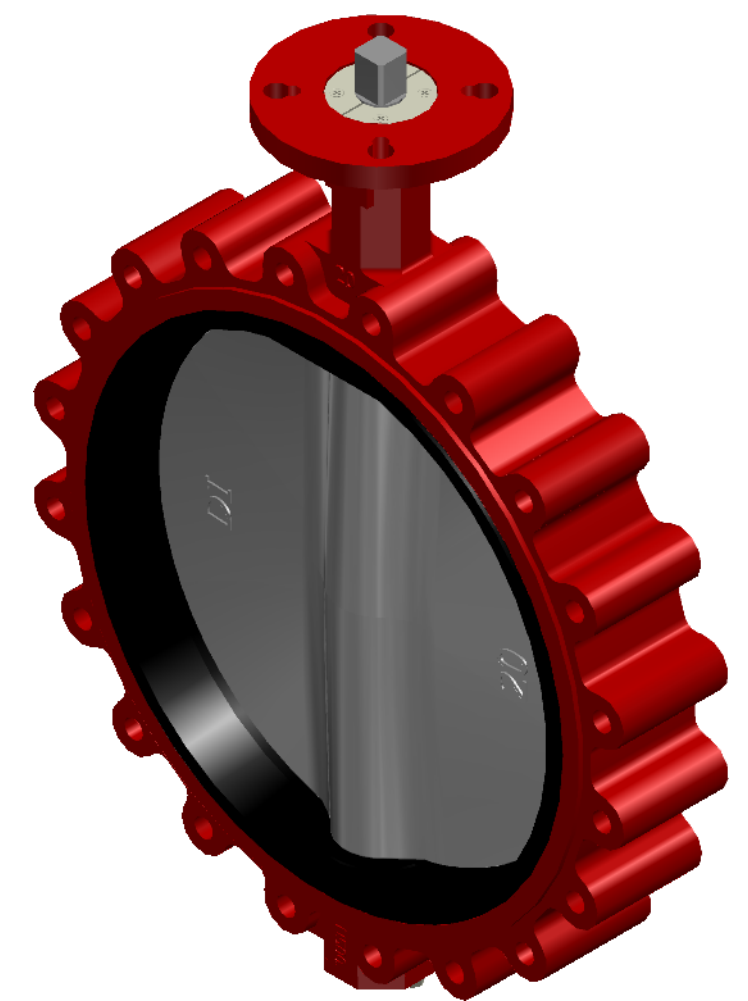


SECTION A-A



DETAIL B

| No. | Part Name | Material |
|-----|-----------|-------------|
| 1 | Body | GGG40 |
| 2 | Disc | Duplex 2205 |
| 3 | Shaft | Duplex 2205 |
| 4 | Seat | EPDM |



| | | | | | | | | |
|--|--|---|---|--|--|--|-----------------------------------|--|
| TITLE BF-VALVE DN500 PN10 LUG CONC. GGG40/DPLX2205/DPLX2205/EPDM F14/16 SQ32X39 BARE SHAFT 1928NM@10BAR 1476NM@5BAR | DRAWN RAGA CHECKED TOCO ENG APPR TOCO MGR APPR TOCO | NAME RAGA TOCO TOCO TOCO | DATE 10.10.2024 dd.mm.yyyy dd.mm.yyyy dd.mm.yyyy | SIZE A3 DWG NO QIF-110-012-0500 FILE NAME: QIF-110-012-0500.dft SCALE: 1:6 WEIGHT: 116 kg | REV: 00 SHEET: 1 OF 1 | UNLESS OTHERWISE SPECIFIED DIMENSIONS ARE IN MILLIMETERS AND TOLERANCES ARE +/-0,5 | 00 ISSUE 10/10/2024 RAGA | REV DESCRIPTION DATE APPROVED |
| | REVISION HISTORY | | | | | | | |