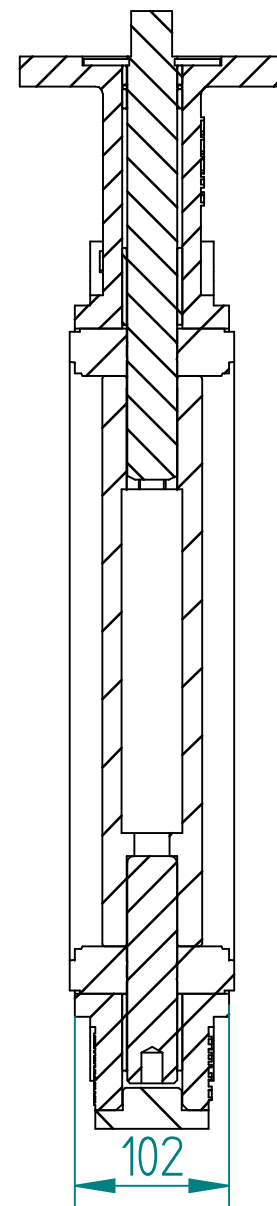
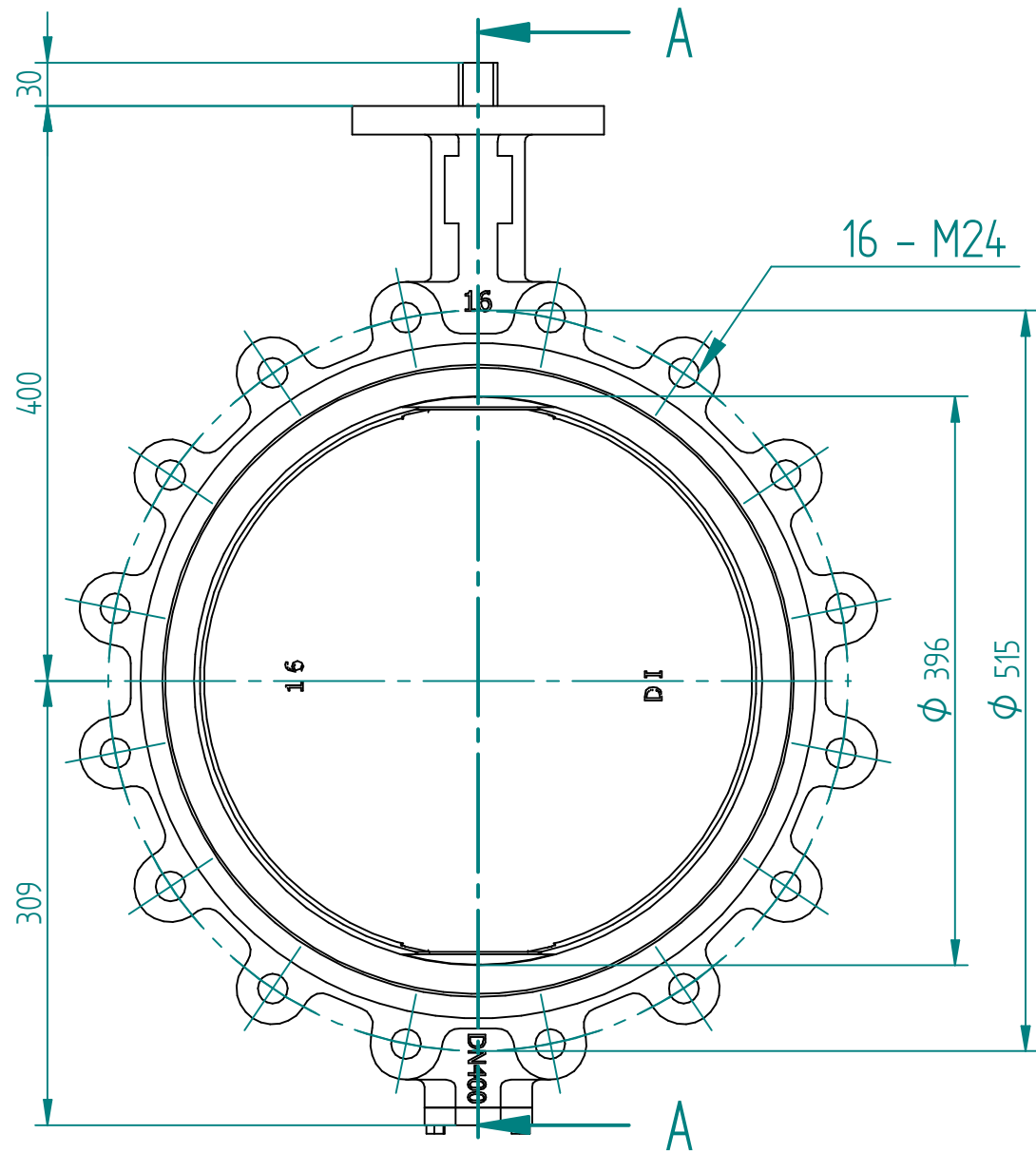
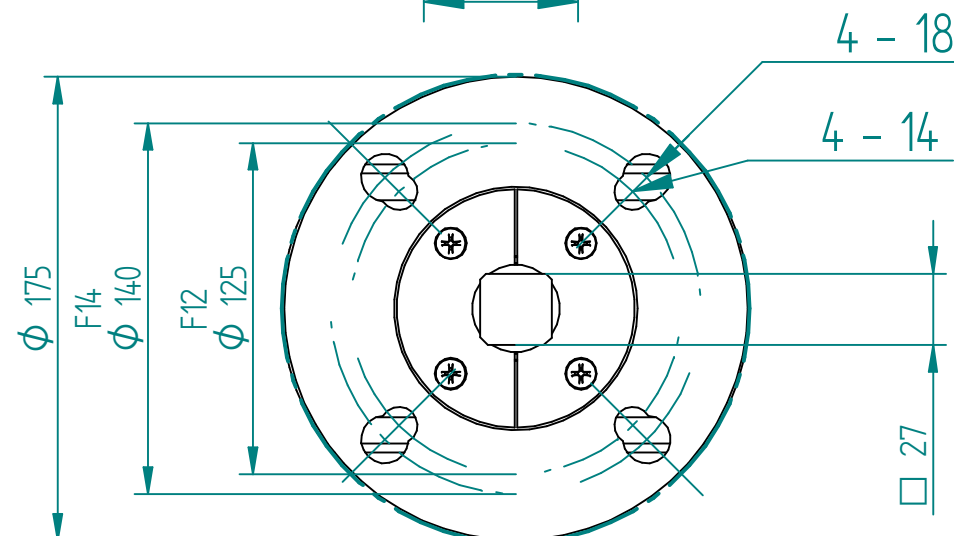
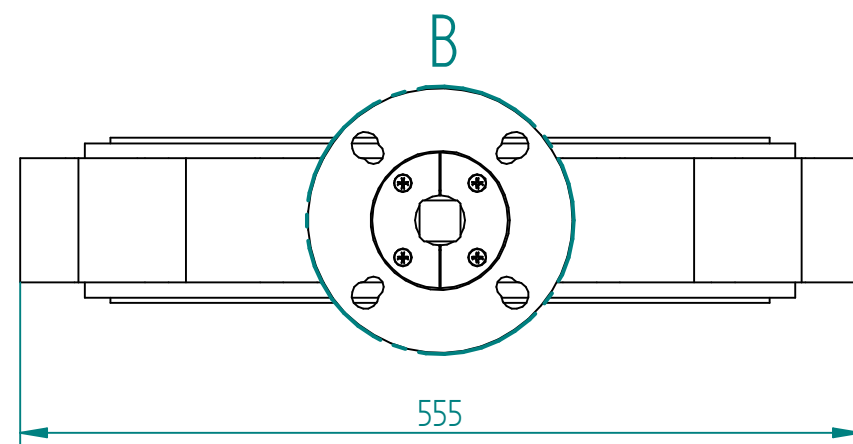


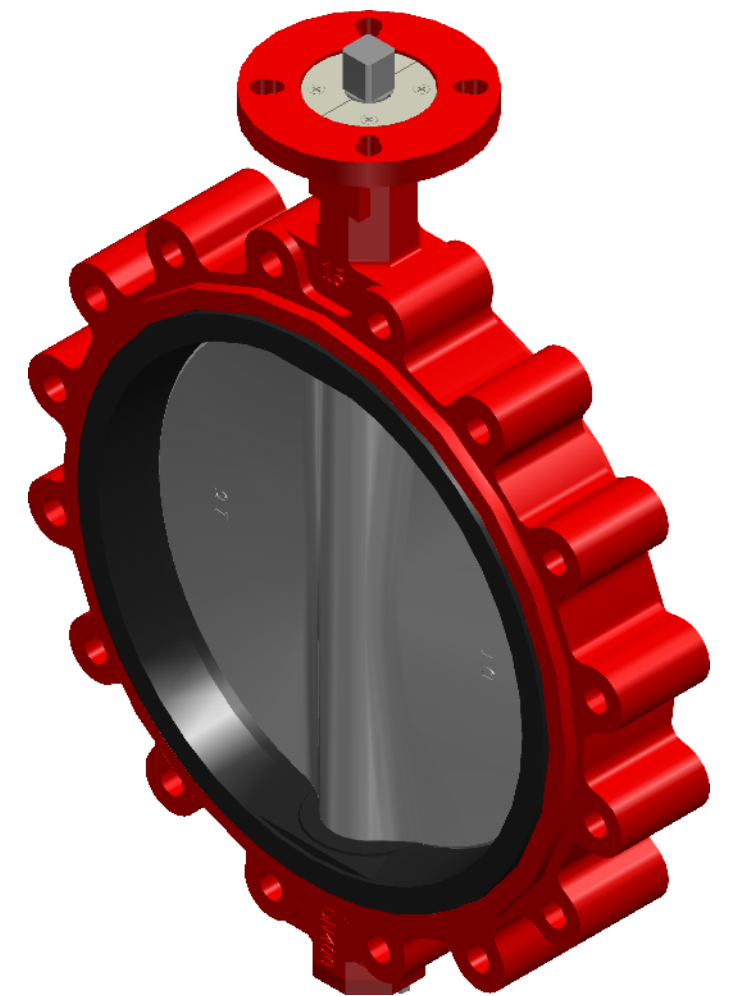
No.	Part Name	Material
1	Body	GGG40
2	Disc	Duplex 2205
3	Shaft	Duplex 2205
4	Seat	EPDM



SECTION A-A



DETAIL B



TITLE BF-VALVE DN400 PN10 LUG
 CONC. GGG40/DPLX2205/DPLX2205/EPDM F12/14 SQ27X30
 BARE SHAFT 1001NM@10BAR 800NM@5BAR

	NAME	DATE	SIZE	DWG NO
DRAWN	RAGA	10.10.2024	A3	QIF-110-012-0400
CHECKED	TOCO	dd.mm.yyyy	FILE NAME: QIF-110-012-0400.dft	
ENG APPR	TOCO	dd.mm.yyyy	SCALE: 1:5	REV: 00
MGR APPR	TOCO	dd.mm.yyyy	WEIGHT: 80 kg	SHEET: 1 OF 1

UNLESS OTHERWISE SPECIFIED
 DIMENSIONS ARE IN MILLIMETERS
 AND TOLERANCES ARE +/-0,5

REV	DESCRIPTION	DATE	APPROVED
00	ISSUE	10/10/2024	RAGA
REVISION HISTORY			