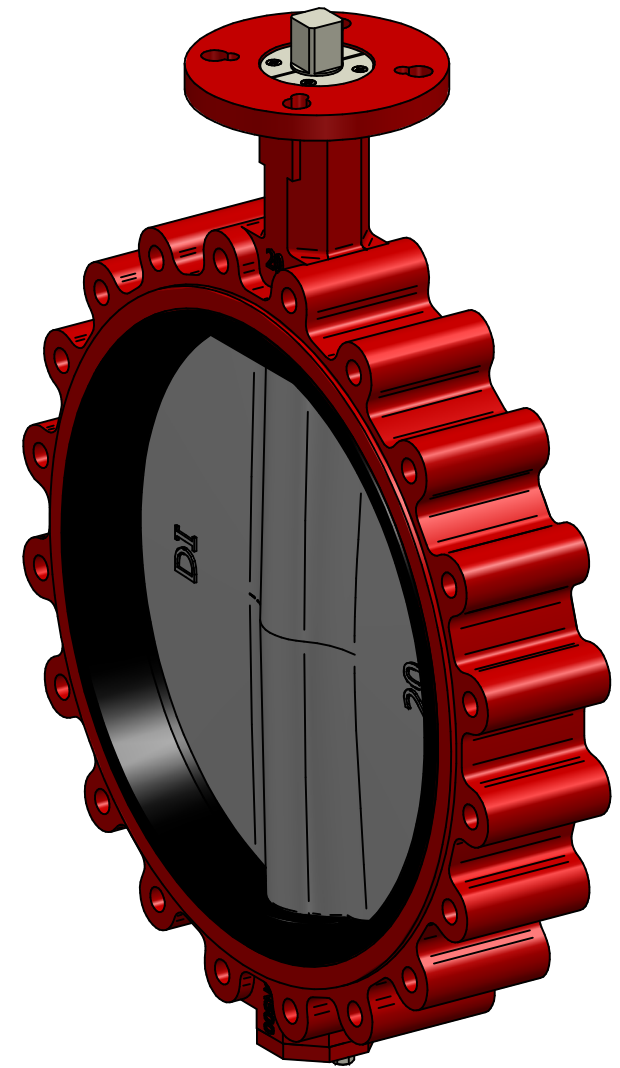
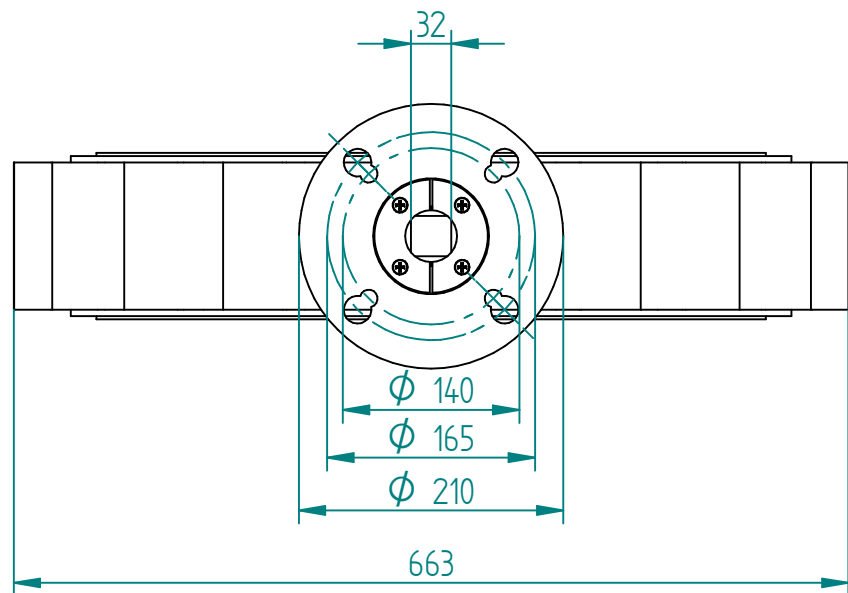
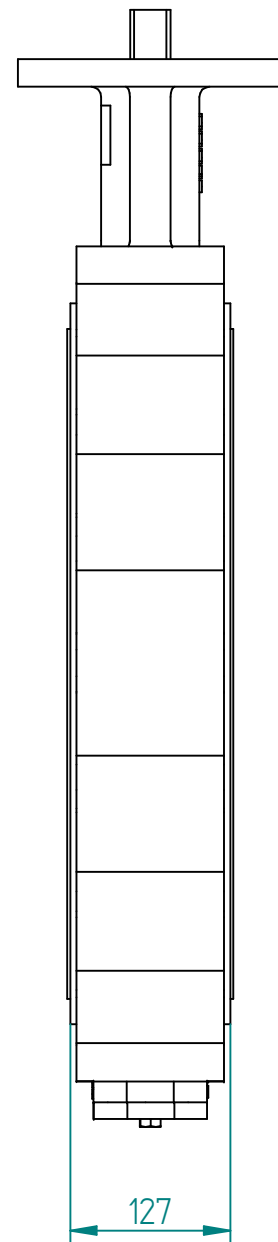
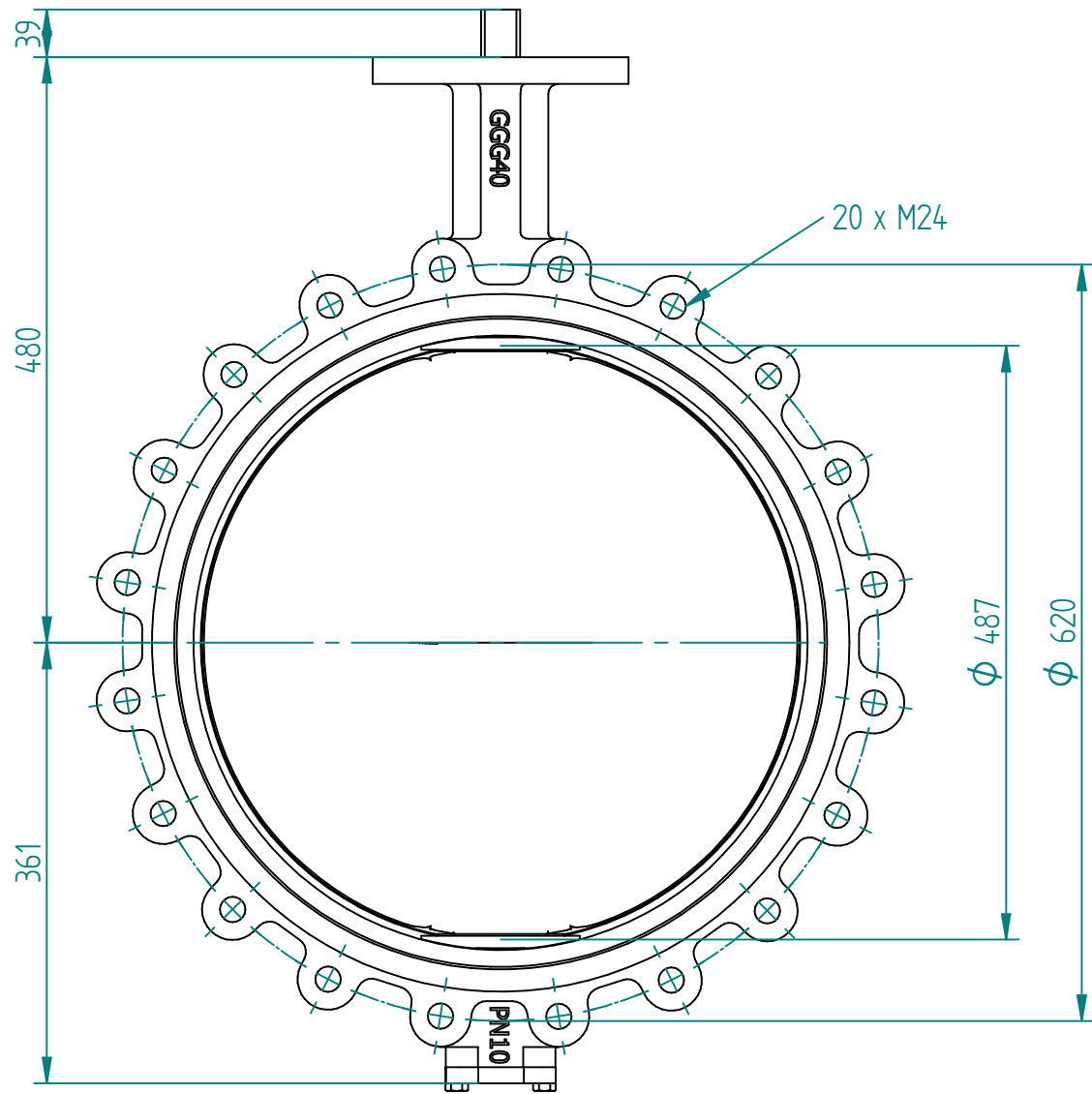


No.	Part Name	Material
1	Body	GGG40
2	Disc	DI+Nylon11
3	Shaft	SS416
4	Seat	EPDM



<b>TITLE</b> LT BUTTERFLY VALVE GGG40 DN500 LUG PN10 NYLON11 COATED DISC, SS416 SHAFT, EPDM SEAT BARE SHAFT SQ32x39-F14/F16 5bar 1400Nm, 10Bar 1900Nm	NAME	DATE	SIZE	DWG NO
	DRAWN	MOTO	4/9/2021	<b>A3</b> QIF-110-011-0500
	CHECKED	ORLA	dd.mm.yyyy	FILE NAME: QIF-110-011-0500.dft
	ENG APPR	TOCO	dd.mm.yyyy	SCALE: 1:6 REV: 04
MGR APPR	TOCO	dd.mm.yyyy	WEIGHT: 116 KG	SHEET: 1 OF 1

UNLESS OTHERWISE SPECIFIED  
 DIMENSIONS ARE IN MILLIMETERS  
 AND TOLERANCES ARE +/-0,5

REV	DESCRIPTION	DATE	APPROVED
04	ISO Measurements and stem corrected	04.03.2024	RAGA
REVISION HISTORY			