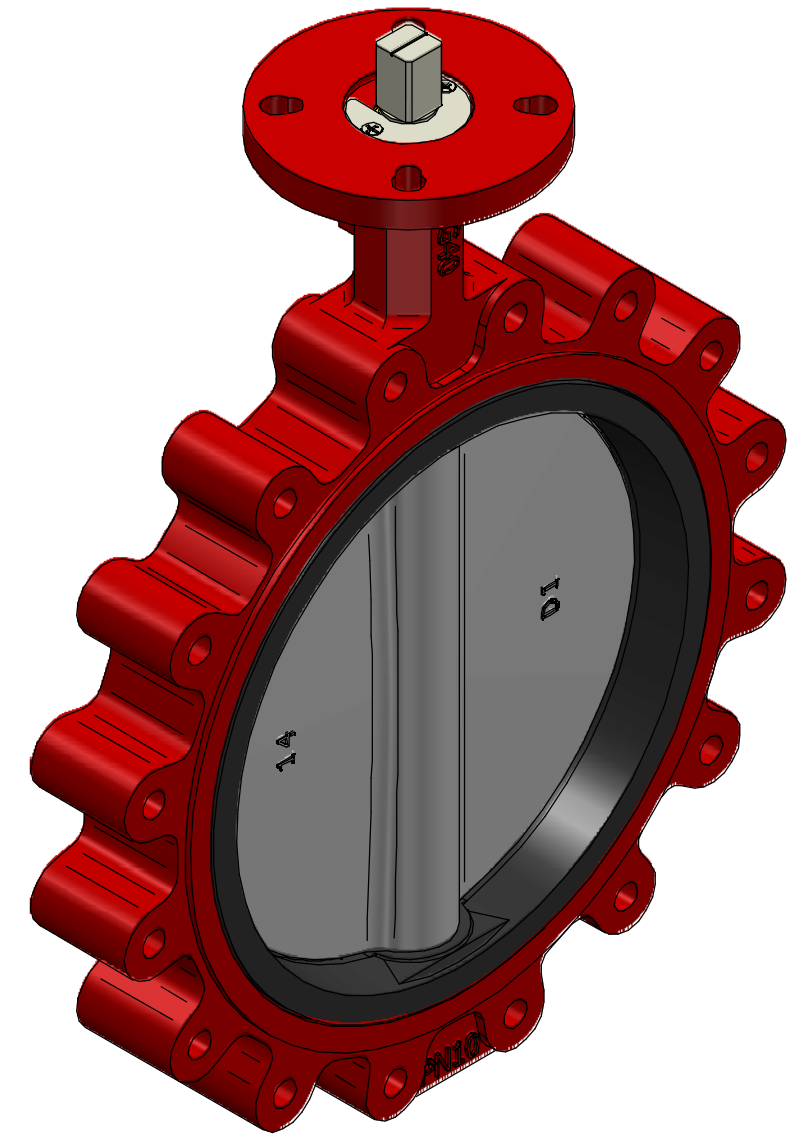
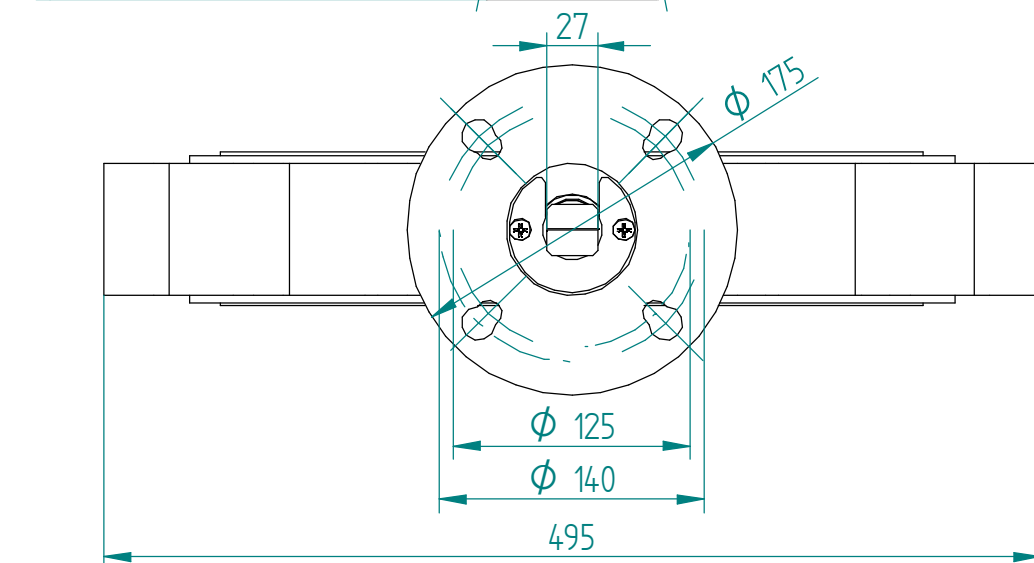


No.	Part Name	Material
1	Body	GGG40
2	Disc	DI+Nylon11
3	Shaft	SS416
4	Seat	EPDM



DRAWN		NAME	DATE	SIZE	DWG NO
MOTO		MOTO	4/8/2021	A3	QIF-110-011-0350
CHECKED		ORLA	dd.mm.yyyy	FILE NAME: QIF-110-011-0350.dft	
ENG APPR		TOCO	dd.mm.yyyy	SCALE: 1:4	REV: 03
MGR APPR		TOCO	dd.mm.yyyy	WEIGHT: 55 kg	SHEET: 1 OF 1

UNLESS OTHERWISE SPECIFIED DIMENSIONS ARE IN MILLIMETERS AND TOLERANCES ARE +/-0,5

REV	DESCRIPTION	DATE	APPROVED
03	UPDATED WEIGHT	13.05.2023	JUWE
02	UPDATED CONNECTION TO F12/F14	08.04.2021	MOTO
01	UPDATED FACE TO FACE	23.11.2020	ORLA
00	ISSUE	20.12.2016	RESO
REVISION HISTORY			

TITLE BUTTERFLY VALVE LUG DN350 / PN10