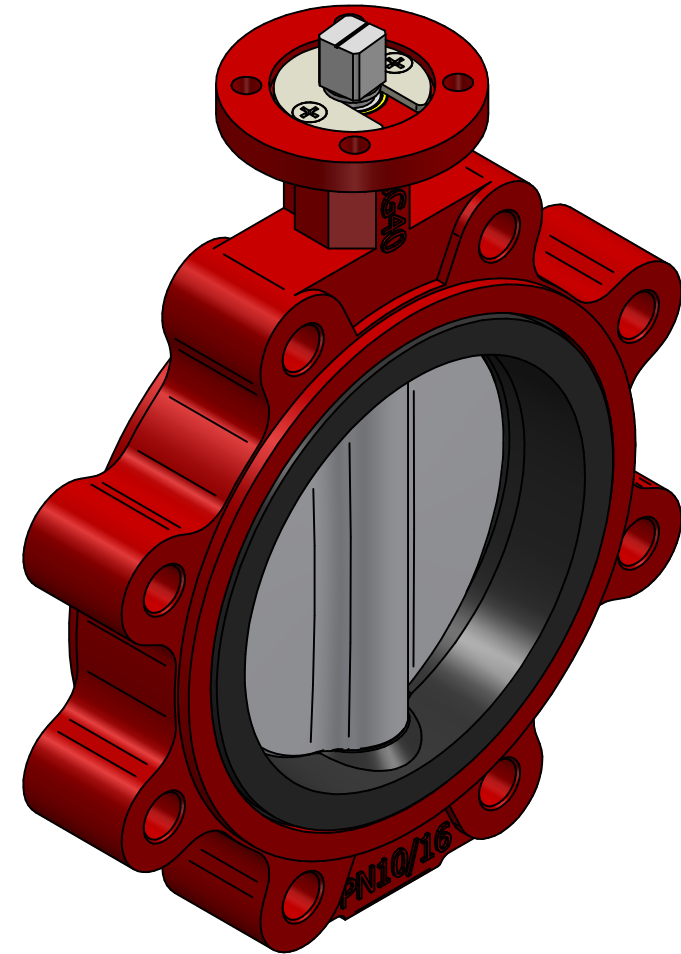
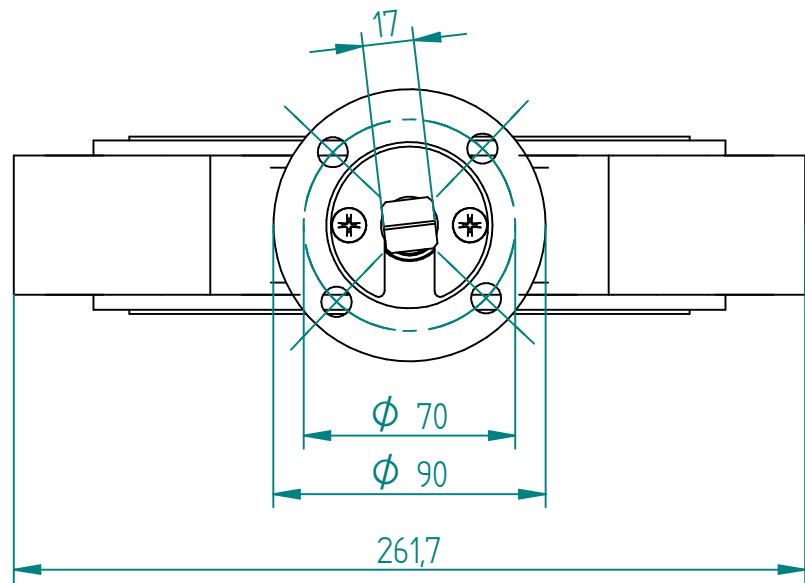
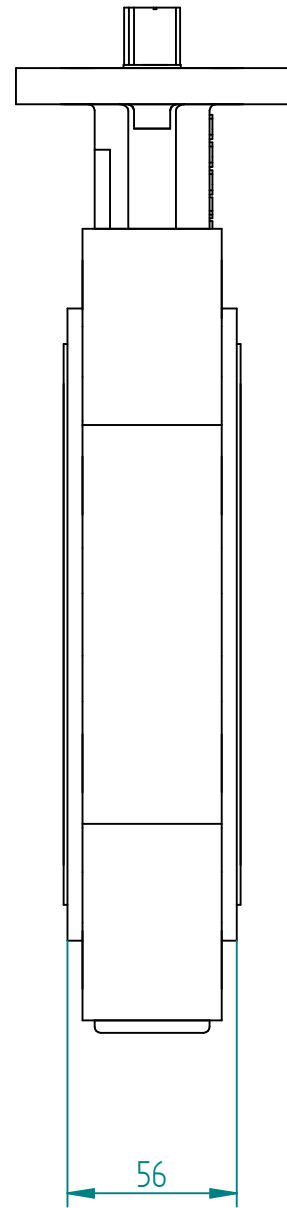
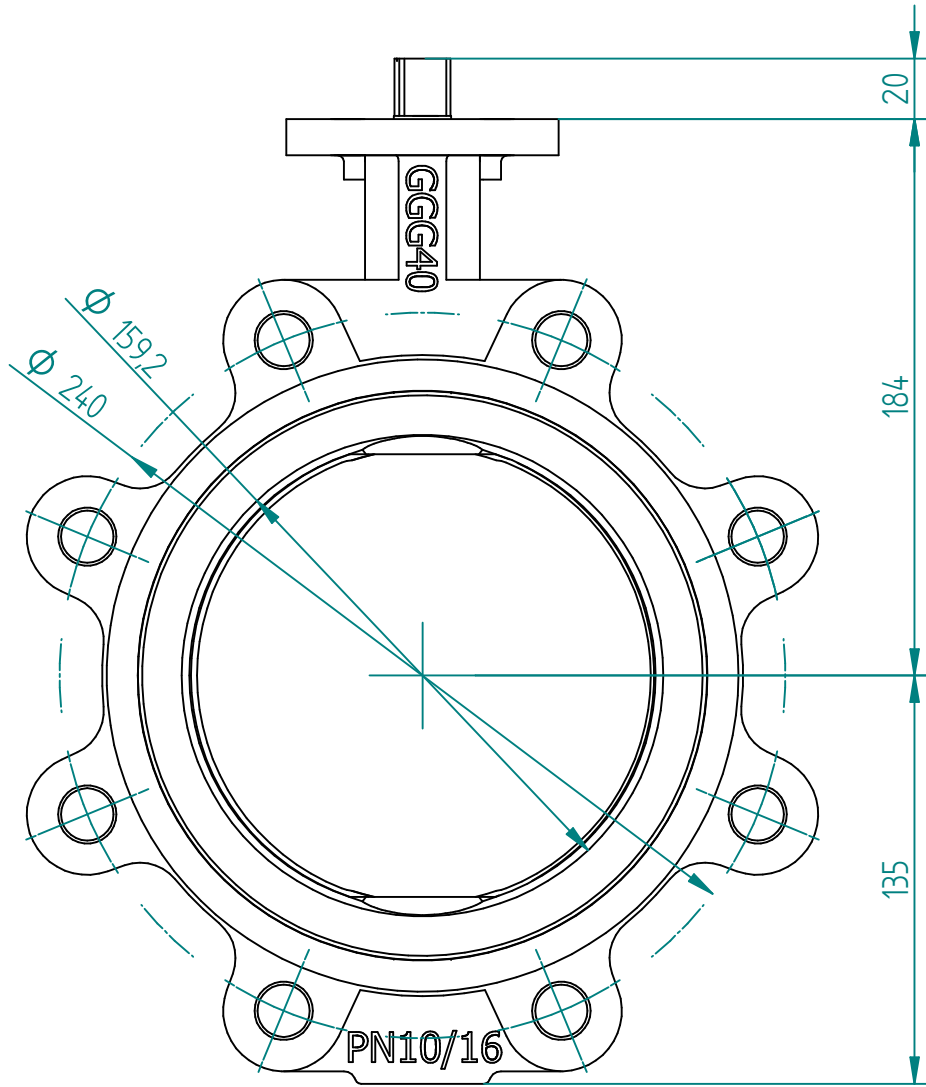



No.	Part Name	Material
1	Body	GGG40
2	Disc	DI+Nylon11
3	Shaft	SS416
4	Seat	EPDM



	NAME	MOTO	DATE	02.10.2020	SIZE	A3	DWG NO	QIF-110-011-0150
	DRAWN	ORLA	dd.mm.yyyy		FILE NAME:	QIF-110-011-0150.dft		
	CHECKED	TOCO	dd.mm.yyyy		SCALE:	1:2,5	REV:	01
	ENG APPR	TOCO	dd.mm.yyyy		WEIGHT:	10 kg	SHEET:	1 OF 1
MGR APPR	TOCO	dd.mm.yyyy						

UNLESS OTHERWISE SPECIFIED DIMENSIONS ARE IN MILLIMETERS AND TOLERANCES ARE +/-0,5

REV	DESCRIPTION	DATE	APPROVED
01	UPDATED WEIGHT	13.05.23	JUWE
REVISION HISTORY			

TITLE LUG BUTTERFLY VALVE
GGG40 DN150 PN10