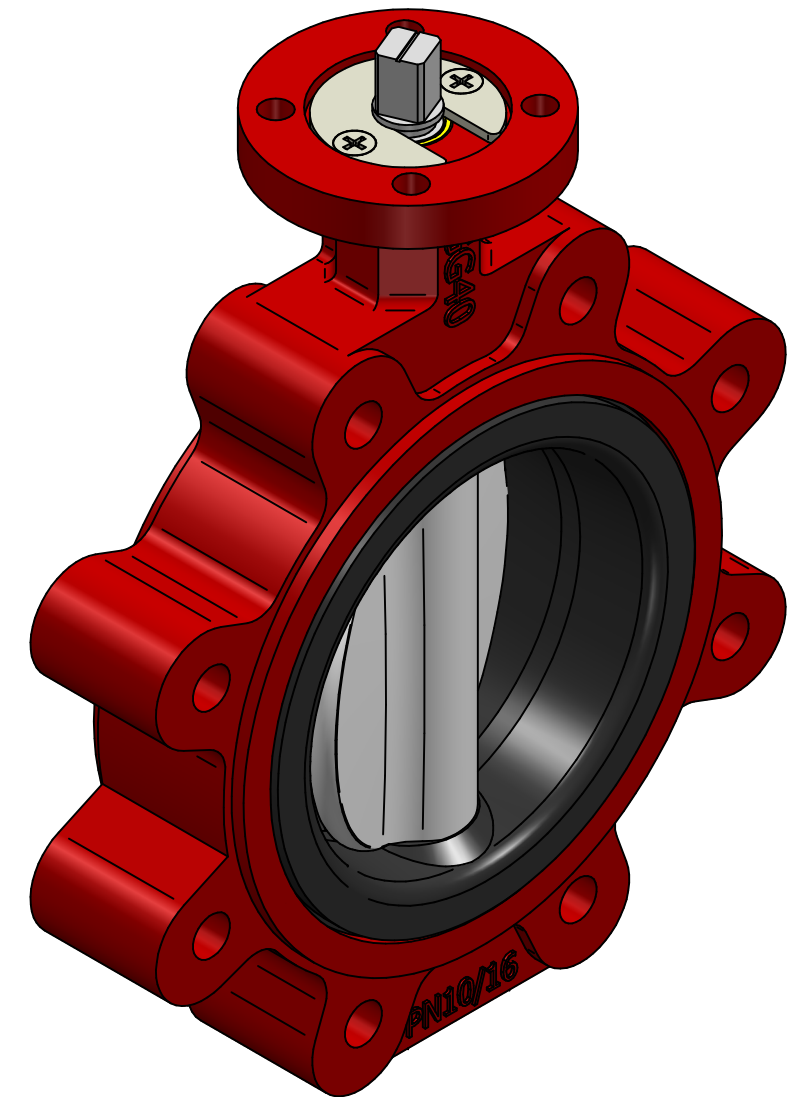


No.	Part Name	Material
1	Body	GGG40
2	Disc	DI+Nylon11
3	Shaft	SS416
4	Seat	EPDM



TITLE LUG BUTTERFLY VALVE
GGG40 DN125 PN10

	NAME	DATE	SIZE	DWG NO
DRAWN	MOTO	01.10.2020	A3	QIF-110-011-0125
CHECKED	ORLA	dd.mm.yyyy	FILE NAME: QIF-110-011-0125.dft	
ENG APPR	TOCO	dd.mm.yyyy	SCALE: 1:2	REV: 01
MGR APPR	TOCO	dd.mm.yyyy	WEIGHT: 8,6 kg	SHEET: 1 OF 1

UNLESS OTHERWISE SPECIFIED
DIMENSIONS ARE IN MILLIMETERS
AND TOLERANCES ARE +/-0,5

REV	DESCRIPTION	DATE	APPROVED
01	UPDATED FACE TO FACE	23.11.2020	OLRA
REVISION HISTORY			