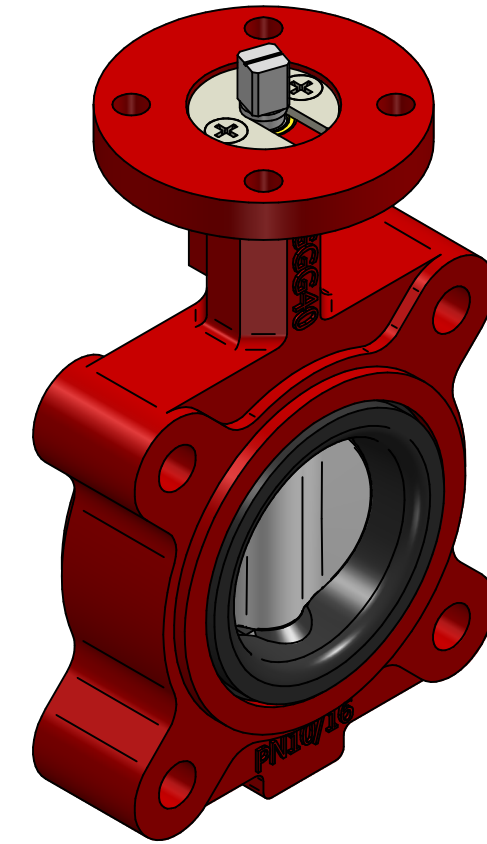


| No. | Part Name | Material |
|-----|-----------|------------|
| 1 | Body | GGG40 |
| 2 | Disc | DI+Nylon11 |
| 3 | Shaft | SS416 |
| 4 | Seat | EPDM |



| | | | | | | |
|--|-------------------------|---------------------|--------------------------|---------------------------------|-----------------------------------|--|
| TITLE LUG BUTTERFLY VALVE GGG40 DN65 PN10 | DRAWN MOTO | NAME MOTO | DATE 10/2/2020 | SIZE A3 | DWG NO QIF-110-011-0065 | UNLESS OTHERWISE SPECIFIED DIMENSIONS ARE IN MILLIMETERS AND TOLERANCES ARE +/-0,5 |
| | CHECKED ORLA | ORLA | dd.mm.yyyy | FILE NAME: QIF-110-011-0065.dft | | |
| | ENG APPR TOCO | TOCO | dd.mm.yyyy | SCALE: 1:2 | REV: 01 | |
| | MGR APPR TOCO | TOCO | dd.mm.yyyy | WEIGHT: 3,8 Kg | SHEET: 1 OF 1 | |

| REV | DESCRIPTION | DATE | APPROVED |
|------------------|----------------|------------|----------|
| 01 | Updated Weight | 13.10.2023 | RAGA |
| REVISION HISTORY | | | |