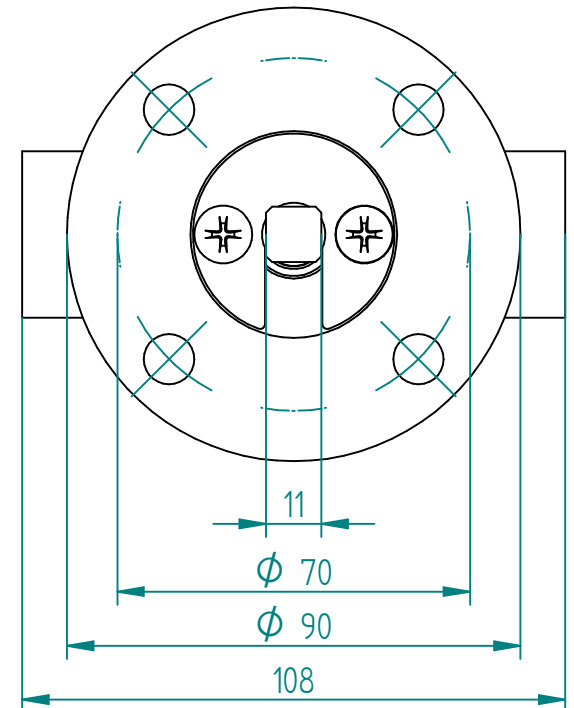
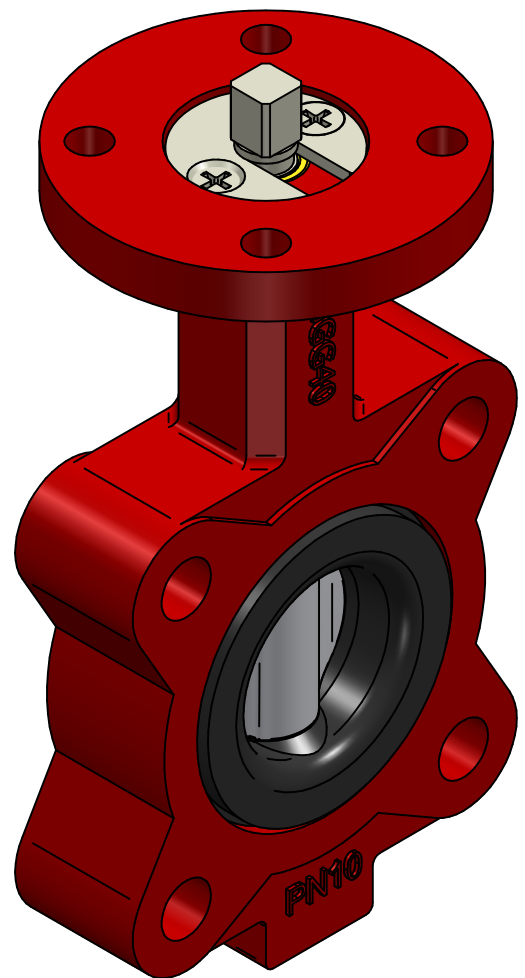
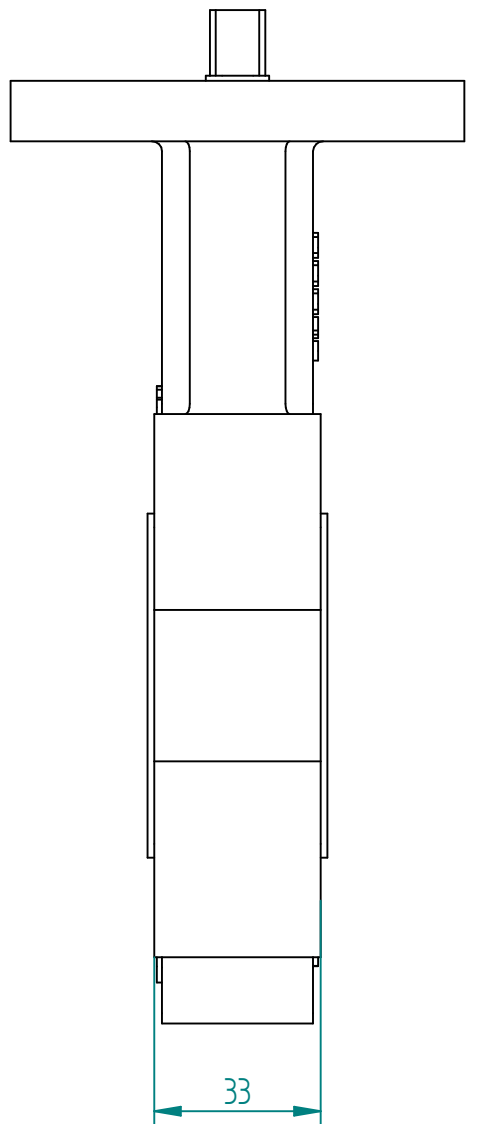
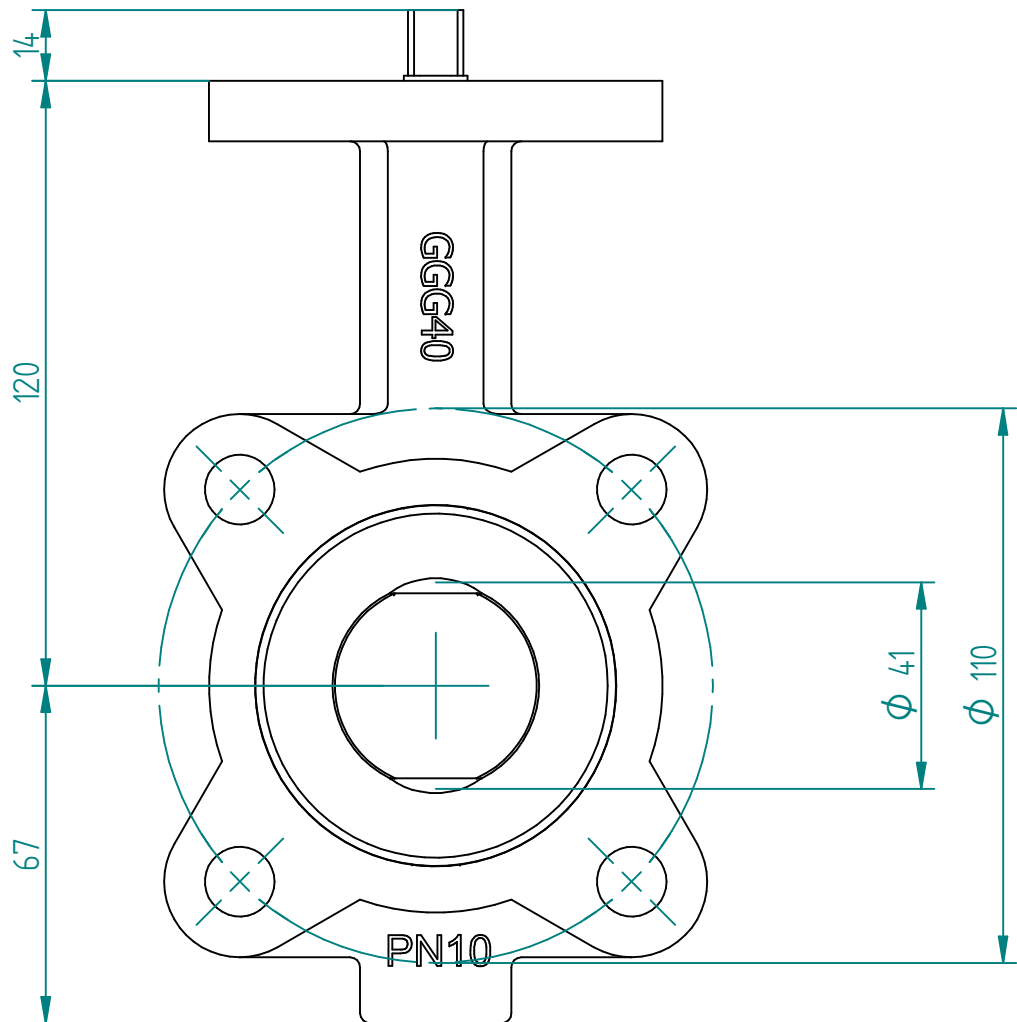


No.	Part Name	Material
1	Body	GGG40
2	Disc	DI+Nylon11
3	Shaft	SS416
4	Seat	EPDM



**J.S. COCK** <sup>A/5</sup>

TITLE BF-VALVE DN40 PN10/PN16 LUG NYLON  
 CONC. GGG40 C5-M/DI+NYLON/SS416/EPDM F05 SQ11XH14  
 BARE SHAFT 18NM@16BAR

	NAME	DATE	SIZE	DWG NO
DRAWN	MOTO	4/7/2021	<b>A3</b>	QIF-110-011-040
CHECKED	ORLA	2/14/2025	FILE NAME: QIF-110-011-0040.dft	
ENG APPR	TOCO	dd.mm.yyyy	SCALE: 1:1.5	REV: 05
MGR APPR	TOCO	dd.mm.yyyy	WEIGHT: 2,1 KG	SHEET: 1 OF 1

UNLESS OTHERWISE SPECIFIED  
 DIMENSIONS ARE IN MILLIMETERS  
 AND TOLERANCES ARE +/-0,5

REV	DESCRIPTION	DATE	APPROVED
05	Updated Stem Height	14.02.2025	RAGA
REVISION HISTORY			