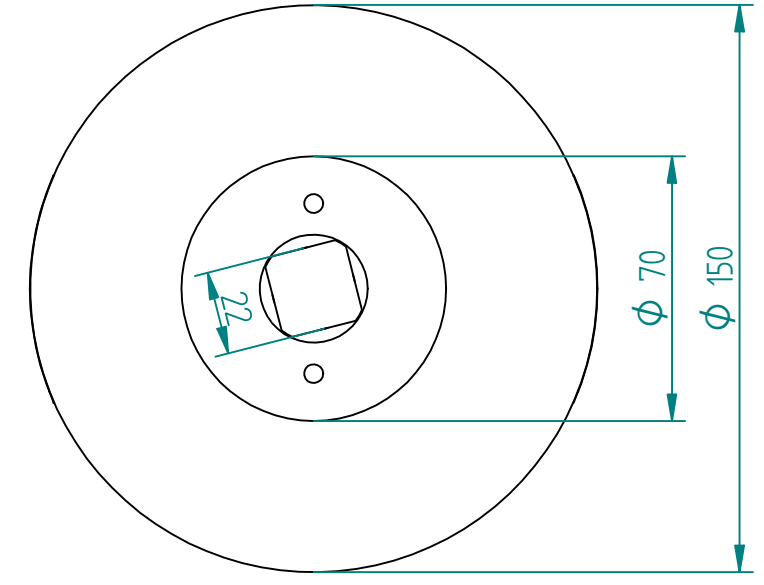
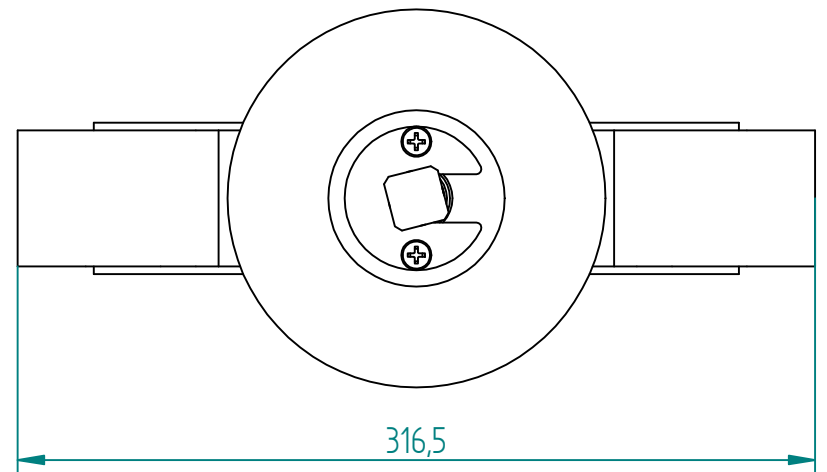


No.	Part Name	Material
1	Body	TBA
2	Disc	TBA
3	Shaft	TBA
4	Seat	TBA



1:2 Top Plate



TITLE BUTTERFLY VALVE LUG DN200 / PN10	NAME	DATE	SIZE	DWG NO	UNLESS OTHERWISE SPECIFIED DIMENSIONS ARE IN MILLIMETERS AND TOLERANCES ARE +/-0,5
	DRAWN	MOTO	19.04.2018	A3 QIF-110-003-0200	
	CHECKED	TOCO	19.04.2018	FILE NAME: QIF-110-003-0200.pdf	
	ENG APPR	TOCO	19.04.2018	SCALE: 1:3 REV: .....	
	MGR APPR	TOCO	19.04.2018	WEIGHT: _ kg SHEET: 1 OF 1	

REV	DESCRIPTION	DATE	APPROVED
REVISION HISTORY			