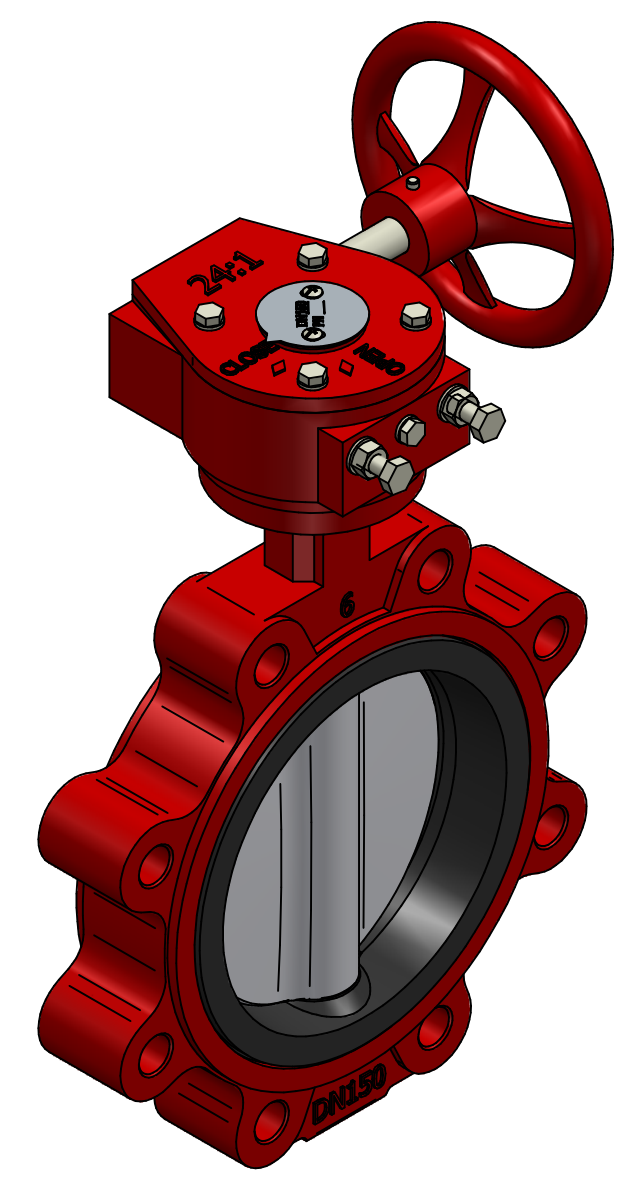


| No. | Part Name | Material |
|-----|-----------|---------------|
| 1 | Body | GGG40 |
| 2 | Disc | DI+Nylon11 |
| 3 | Shaft | SS416 |
| 4 | Seat | EPDM |
| 5 | Worm Gear | CI (Shell DI) |
| 6 | Bolts | A4-70 |



| | | NAME | DATE | SIZE | DWG NO |
|----------|------|------------|---------------------------------|------------------|--------|
| DRAWN | MOTO | 13.05.2023 | A3 | QIF-110-002-0150 | |
| CHECKED | ORLA | dd.mm.yyyy | FILE NAME: QIF-110-002-0150.dft | | |
| ENG APPR | TOCO | dd.mm.yyyy | SCALE: 1:3 | REV: 02 | |
| MGR APPR | TOCO | dd.mm.yyyy | WEIGHT: 14 KG | SHEET: 1 OF 1 | |

UNLESS OTHERWISE SPECIFIED DIMENSIONS ARE IN MILLIMETERS AND TOLERANCES ARE +/-0,5

| REV | DESCRIPTION | DATE | APPROVED |
|------------------|-------------------------|------------|----------|
| 02 | ADDED WEIGHT TO DRAWING | 03.05.2023 | JUWE |
| 01 | UPDATED WORM GEAR | 05.05.2021 | ORLA |
| 00 | ISSUE | 18.03.2020 | ERKJ |
| REVISION HISTORY | | | |

TITLE LUG BUTTERFLY VALVE GGG40 DN150 PN10 WITH GEAR IP65