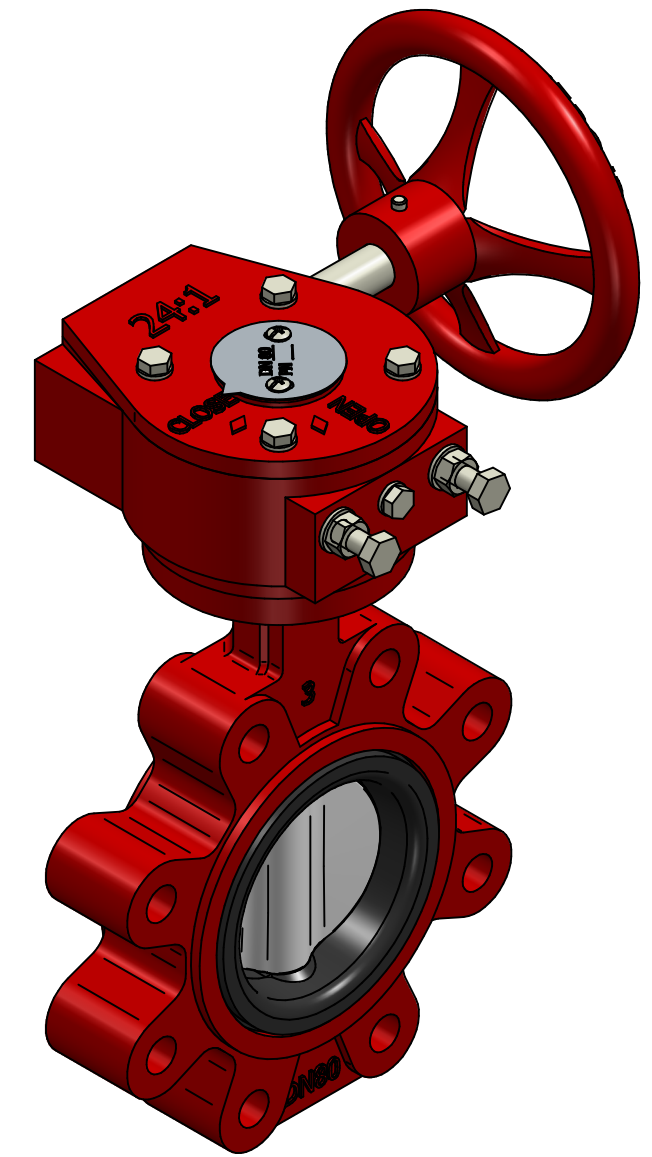
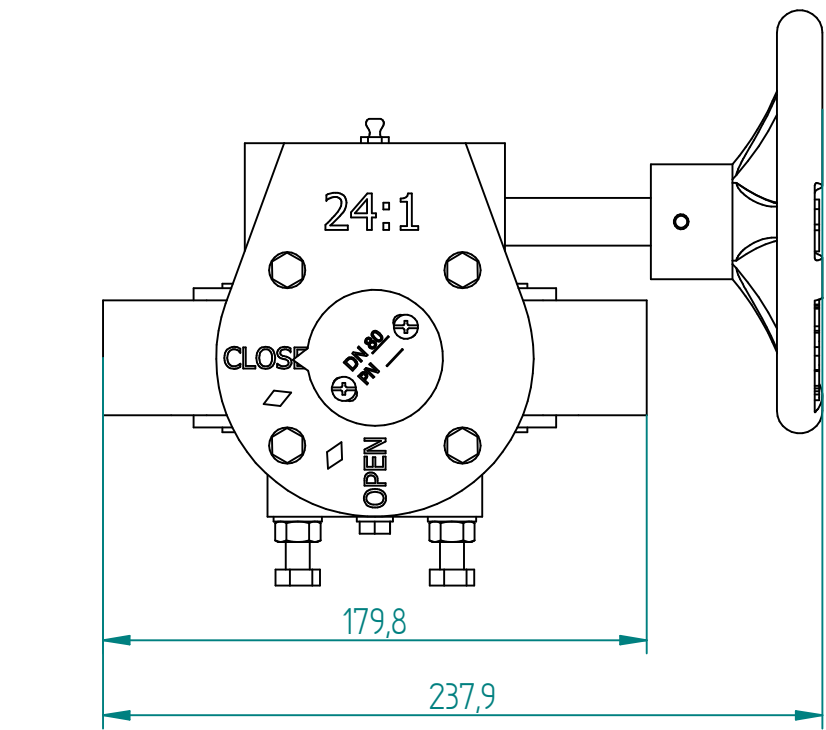


No.	Part Name	Material
1	Body	GGG40
2	Disc	DI+Nylon11
3	Shaft	SS416
4	Seat	EPDM
5	Worm Gear	CI (Shell DI)
6	Bolts	A4-70



DRAWN	NAME	DATE	SIZE	DWG NO	
				MOTO	13.05.2023
CHECKED	ORLA	dd.mm.yyyy	FILE NAME: QIF-110-002-0080.dft		
ENG APPR	TOCO	dd.mm.yyyy	SCALE: 1:2,5	REV: 02	
MGR APPR	TOCO	dd.mm.yyyy	WEIGHT: 8,7 KG	SHEET: 1 OF 1	

UNLESS OTHERWISE SPECIFIED DIMENSIONS ARE IN MILLIMETERS AND TOLERANCES ARE +/-0,5

REV	DESCRIPTION	DATE	APPROVED
02	ADDED WEIGHT TO DRAWING	03.05.2023	JUWE
01	UPDATED GEAR	05.05.2021	ORLA
00	ISSUE	18.03.2020	ERKJ
REVISION HISTORY			

TITLE LUG BUTTERFLY VALVE GGG40 DN80 PN10 WITH GEAR IP65