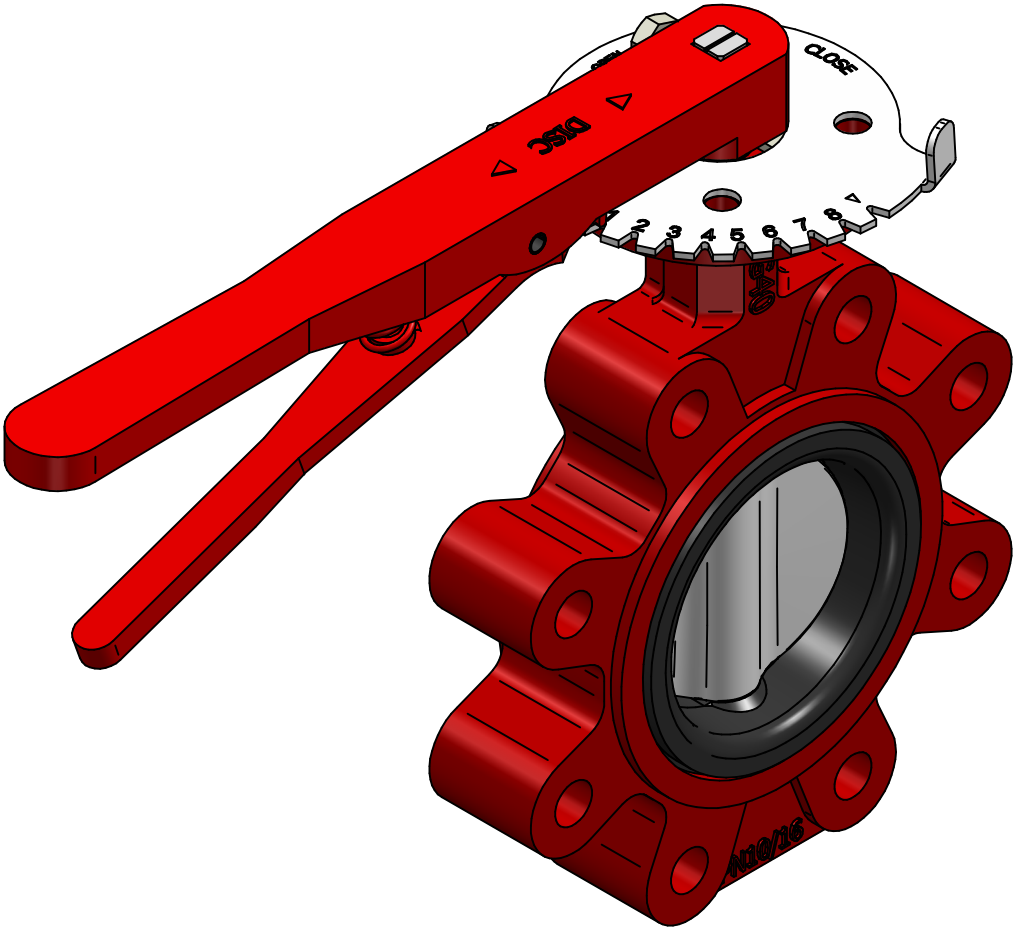
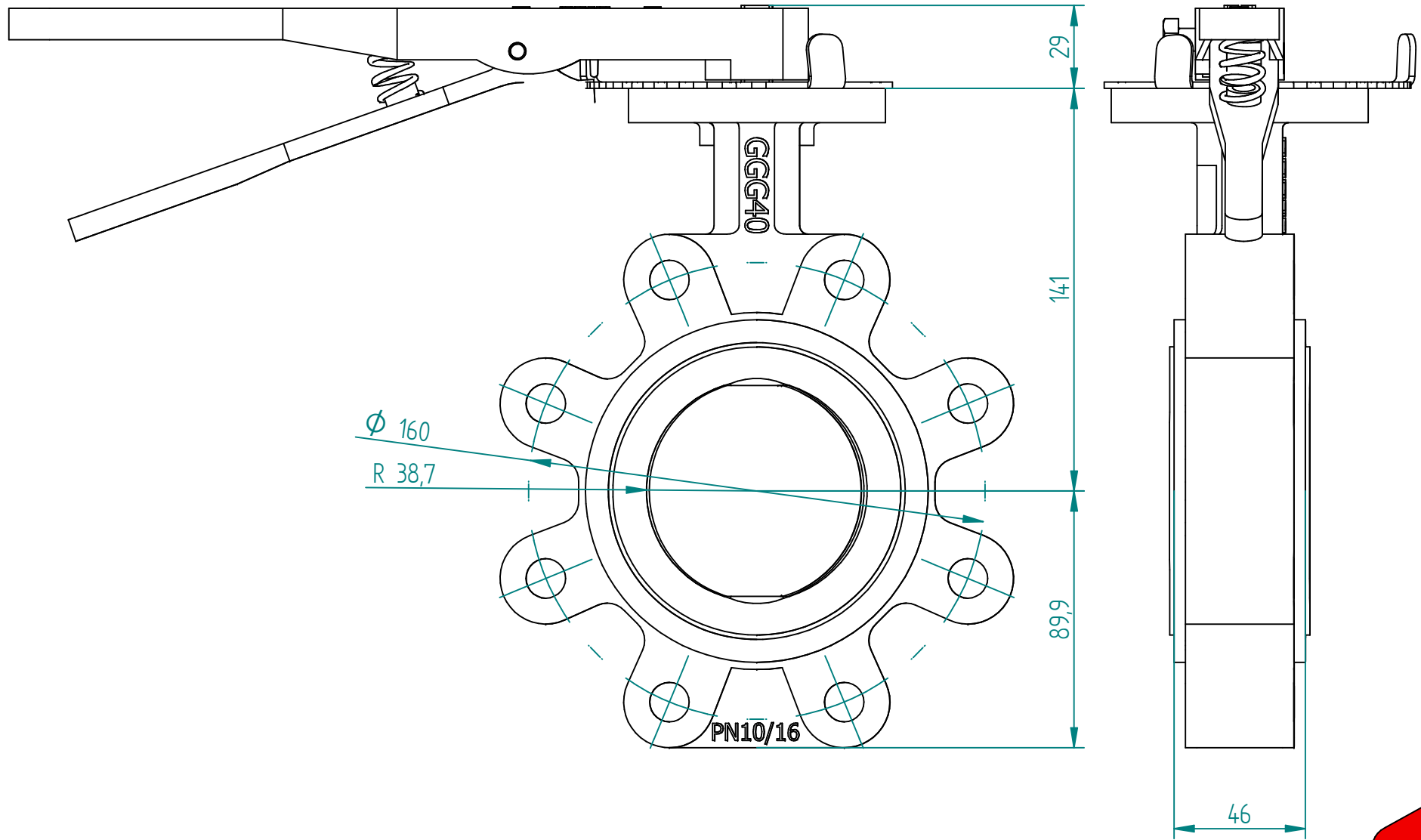



No.	Part Name	Material
1	Body	GGG40
2	Disc	DI+Nylon11
3	Shaft	SS416
4	Seat	EPDM
5	Lever	Mall Iron
6	Ratchet Plate	SS316
7	Bolts	A4-70



		NAME	DATE	SIZE	DWG NO
	DRAWN	MOTO	04.05.2021	A3	QIF-110-001-0080
	CHECKED	ORLA	dd.mm.yyyy	FILE NAME: QIF-110-001-0080.dft	
	ENG APPR	TOCO	dd.mm.yyyy	SCALE: 2:1	REV: 03
	MGR APPR	TOCO	dd.mm.yyyy	WEIGHT: 5,5 KG	SHEET: 1 OF 1

UNLESS OTHERWISE SPECIFIED DIMENSIONS ARE IN MILLIMETERS AND TOLERANCES ARE +/-0,5

REV	DESCRIPTION	DATE	APPROVED
03	ADDED WEIGHT TO DRAWING	03.05.2023	JUWE
02	UPDATED LEVER	04.05.2021	ORLA
01	UPDATED FACE TO FACE	05.01.2021	ERKJ
REVISION HISTORY			

TITLE LUG BUTTERFLY VALVE GGG40 DN80 PN10 WITH LEVER