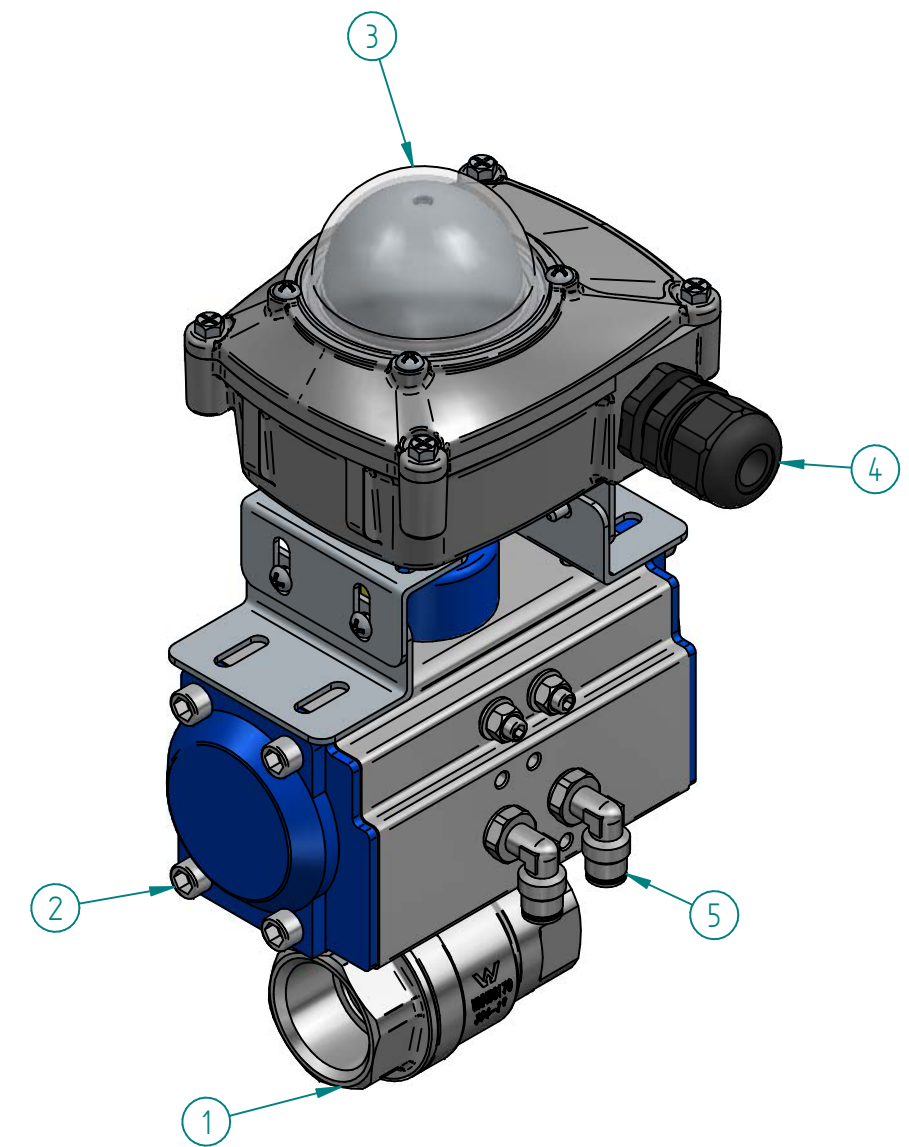
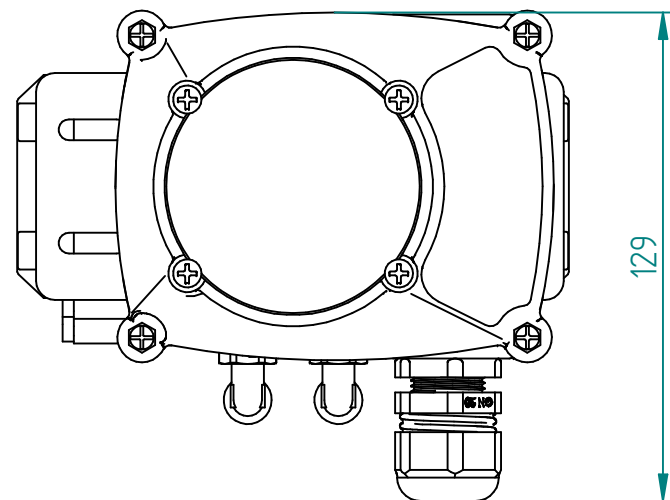
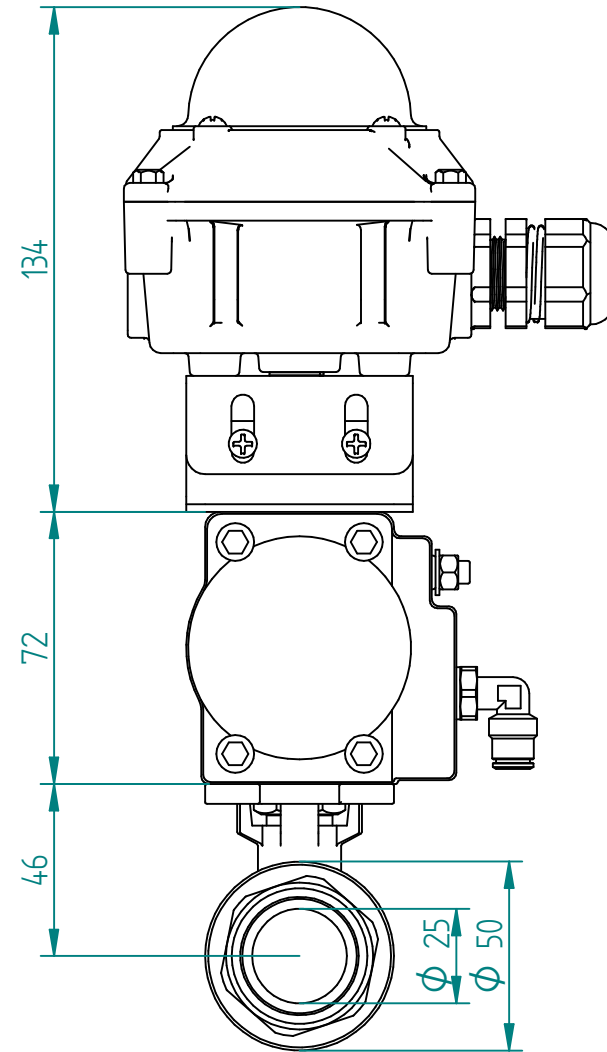
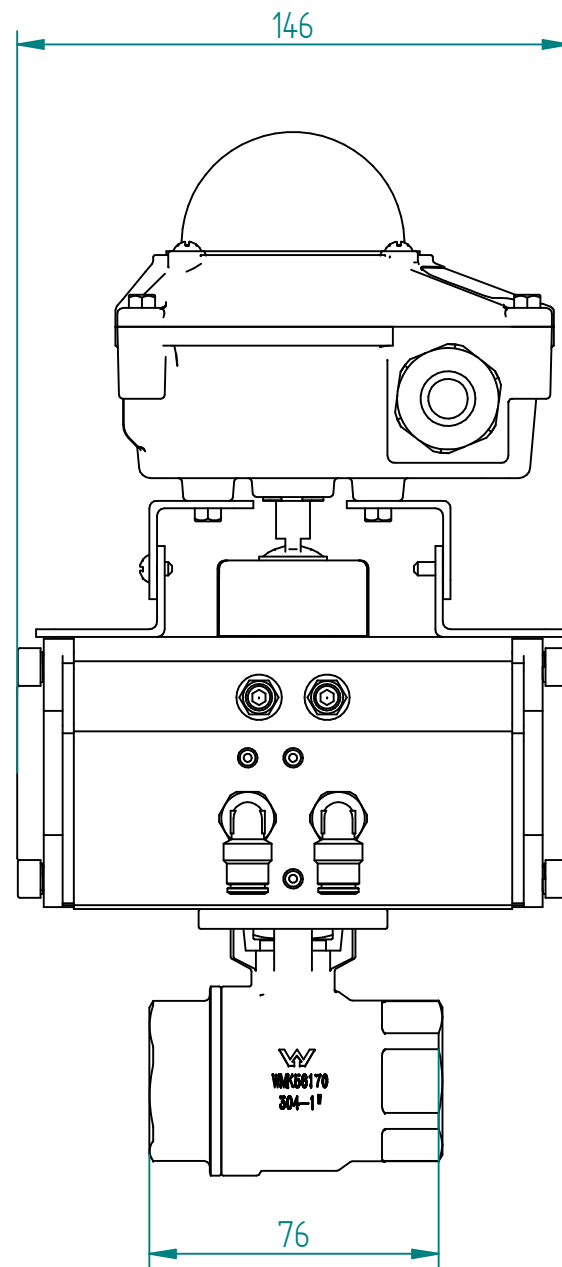


POS	Item number	Title	Qty
1	QIF-100-001-0025B	2PC 1" ISO/SQUARE TOP BSP BALL VALVE SS316 10Nm	1
2	NUTNKD-052	Pneumatic Actuator Double Acting, 28Nm@7bar	1
3	NUTNTS-CP10	Switchbox, Aluminium alloy+epoxy coated body	1
4	NUTGLD-M20	Cable gland M20x1.5, waterproof type IP68	1
5	AVS00001	Pneumatic fitting S6520 6-1/4	2



 J.S. COCK ^{A/5}		NAME	DATE	SIZE	DWG NO
	DRAWN	HESG	13.10.2022	A3	
	CHECKED	ORLA	dd.mm.yyyy	FILE NAME: QIF-101-NDA-0025D.dft	
	ENG APPR	TOCO	dd.mm.yyyy	SCALE: 1:2	REV: 00
	MGR APPR	TOCO	dd.mm.yyyy	WEIGHT:	SHEET: 1 OF 1

UNLESS OTHERWISE SPECIFIED DIMENSIONS ARE IN MILLIMETERS AND TOLERANCES ARE +/-0,5

REV	DESCRIPTION	DATE	APPROVED
00	Issued	13.10.22	HESG
REVISION HISTORY			

TITLE 2PC 1" ISO/SQUARE TOP BSP BALLVALVE SS316
Nutork Pneu Double Acting Actuator, NKD-052
Incl. switchbox CP10