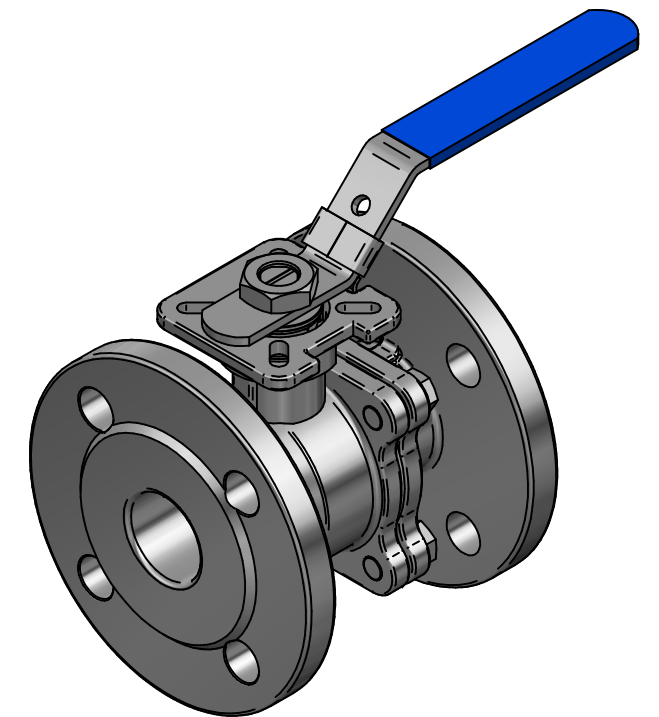


DETAIL A

Pos	Part name	Material
1	Body	1.4408 (CF8M)
2	Cap	1.4408 (CF8M)
3	Ball	SS316
4	Ball seat	PTFE
5	Stem	SS316
6	Stem Packing	PTFE
7	O-Ring	VITON
8	V-Packing	PTFE
9	Gland	304
10	Washer	301
11	Nut	304
12	Thrust Washer	304
13	Washer	304
14	Handle	304
15	Plastic Cover	Plastic
16	Locking	304
17	Body Gasket	PTFE
18	Bolt	304



TITLE 2PC BALL VALVE FLOATING DN40 FLANGED
PN40, FULL BORE CF8M/316/PTFE ISO F05/07
SQR14, 18NM

	NAME	DATE	SIZE	DWG NO
DRAWN	EMLA	4/23/2023	A3	QIF-100-002-0040
CHECKED	TOCO	dd.mm.yyyy	FILE NAME: QIF-100-002-0040.dft	
ENG APPR	TOCO	dd.mm.yyyy	SCALE: 1:2	REV: 00
MGR APPR	TOCO	dd.mm.yyyy	WEIGHT: 6.1 kg	SHEET: 1 OF 1

UNLESS OTHERWISE SPECIFIED
DIMENSIONS ARE IN MILLIMETERS
AND TOLERANCES ARE +/-0,5

REV	DESCRIPTION	DATE	APPROVED
00	ISSUED	23.12.2022	RESO
REVISION HISTORY			