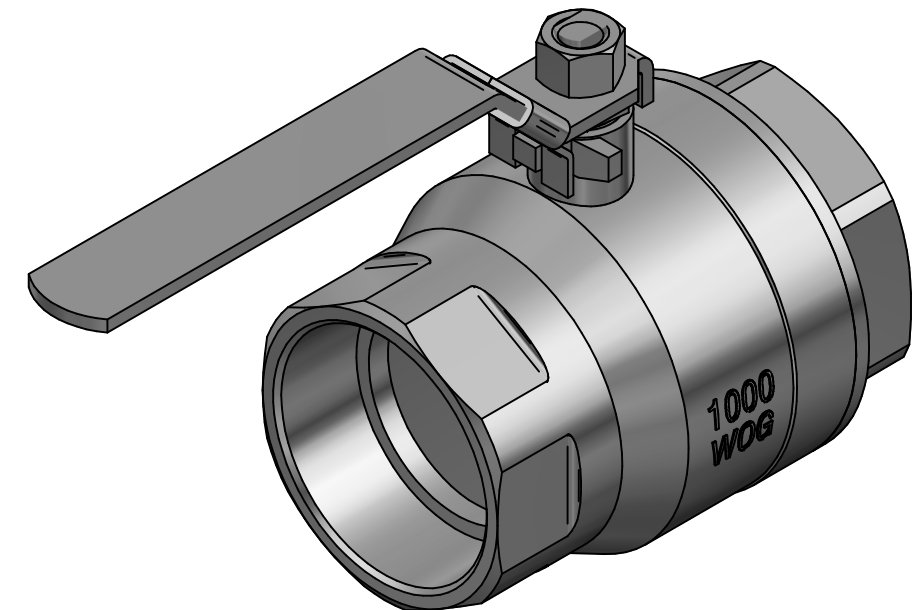
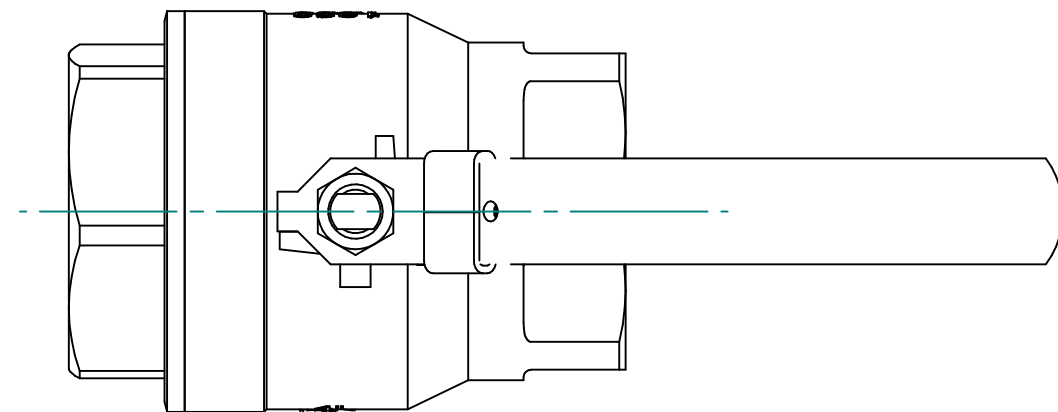


Pos	Part name	Material
1	Body	A351-CF8M
2	Seat	PTFE
3	Ball	316
4	Cover gasket	PTFE
5	Cover	A351-CF8M
6	Stem	316
7	Thrust washer	PTFE
8	Packing	PTFE
9	Packing gland	304
10	Handle	304
11	Nut stopper	304
12	Nut	304
13	Lock device	304
14	Handle cover	Plastic

DN65-DN100



TITLE 2PC BALL VALVE THREADED SS316, 4" BSPP
THREAD CONNECTION, V-PACKING WITH
LOCKABLE HANDLE, FULL BORE

	NAME	DATE	SIZE	DWG NO
DRAWN	EMLA	17.11.2023	A3	QIF-100-001-0100
CHECKED	RESO	17.11.2023	FILE NAME: QIF-100-001-0100.dft	
ENG APPR	TOCO	dd.mm.yyyy	SCALE: 1:3	REV: 00
MGR APPR	TOCO	dd.mm.yyyy	WEIGHT: 10.70 kg	SHEET: 1 OF 1

UNLESS OTHERWISE
SPECIFIED
DIMENSIONS ARE IN
MILLIMETERS
AND TOLERANCES ARE
+/-0,5

REV	DESCRIPTION	DATE	APPROVED
00	ISSUED (New version with V-Packing 2023)	17.11.2023	RESO
REVISION HISTORY			