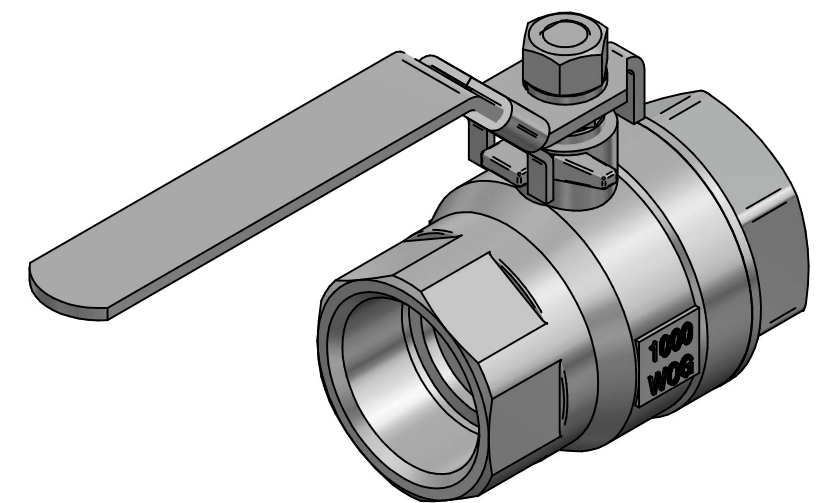
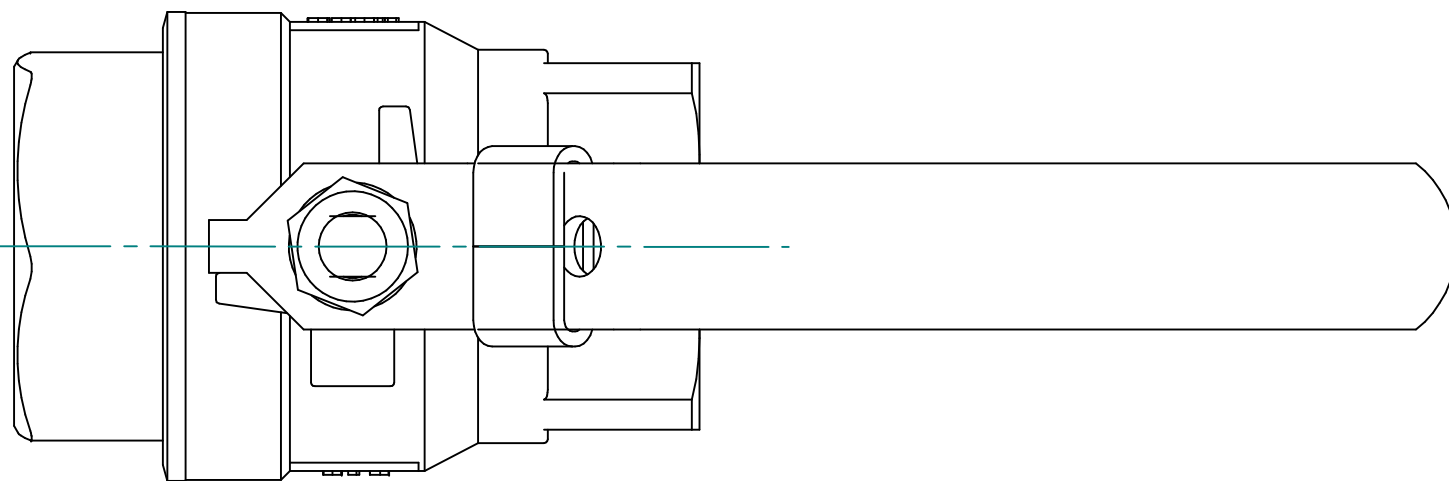


Pos	Part name	Material
1	Body	A351-CF8M
2	Seat	PTFE
3	Ball	316
4	Cover gasket	PTFE
5	Cover	A351-CF8M
6	Stem	316
7	Thrust washer	PTFE
8	Packing	PTFE
9	Packing gland	316
10	Handle	316
11	Nut stopper	316
12	Nut	316
13	Lock device	316
14	Handle cover	Plastic

DN15-DN50



DRAWN	NAME	DATE	SIZE	DWG NO
	EMLA	17.11.2023	A3	QIF-100-001-0032
CHECKED	RESO	17.11.2023	FILE NAME: QIF-100-001-0032.dft	
ENG APPR	TOCO	dd.mm.yyyy	SCALE: 1:1	REV: 00
MGR APPR	TOCO	dd.mm.yyyy	WEIGHT: 0.90 kg	SHEET: 1 OF 1

TITLE 2PC BALL VALVE THREADED SS316, 1-1/4",
BSPP THREAD CONNECTION, V-PACKING, WITH
LOCKABLE HANDLE, FULL BORE

UNLESS OTHERWISE
SPECIFIED
DIMENSIONS ARE IN
MILLIMETERS
AND TOLERANCES ARE
+/-0,5

REV	DESCRIPTION	DATE	APPROVED
00	ISSUED (New version with V-Packing 2023)	17.11.2023	RESO
REVISION HISTORY			