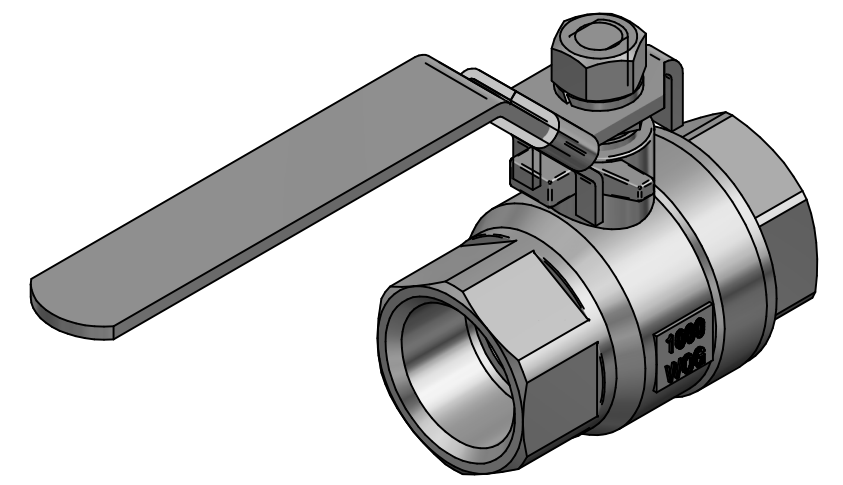
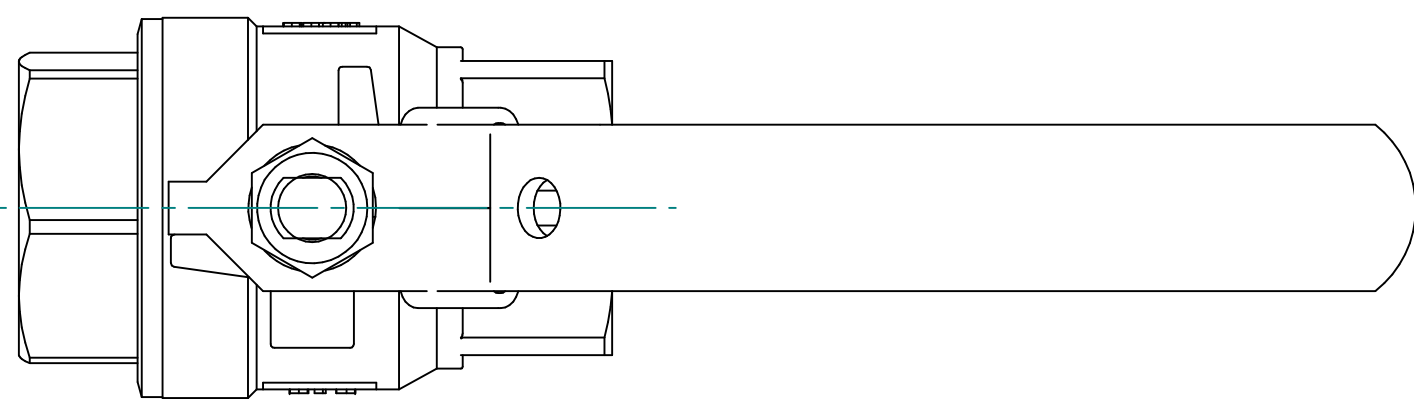



Pos	Part name	Material
1	Body	A351-CF8M
2	Seat	PTFE
3	Ball	316
4	Cover gasket	PTFE
5	Cover	A351-CF8M
6	Stem	316
7	Thrust washer	PTFE
8	Packing	PTFE
9	Packing gland	316
10	Handle	316
11	Nut stopper	316
12	Nut	316
13	Lock device	316
14	Handle cover	Plastic

DN15-DN50



		NAME	DATE	SIZE	DWG NO
	DRAWN	EMLA	07.10.2023	A3	QIF-100-001-0025C
	CHECKED	TOCO	dd.mm.yyyy	FILE NAME: QIF-100-001-0025C.dft	
	ENG APPR	TOCO	dd.mm.yyyy	SCALE: 1:1	REV: 00
	MGR APPR	TOCO	dd.mm.yyyy	WEIGHT: 0.58 kg	SHEET: 1 OF 1

UNLESS OTHERWISE SPECIFIED DIMENSIONS ARE IN MILLIMETERS AND TOLERANCES ARE +/-0,5

REV	DESCRIPTION	DATE	APPROVED
00	ISSUED	dd.mm.yyyy	XXXX
REVISION HISTORY			

TITLE 2PC BALL VALVE THREADED SS316, 1", BSPP THREAD CONNECTION, V-PACKING, WITH LOCKABLE HANDLE, FULL BORE