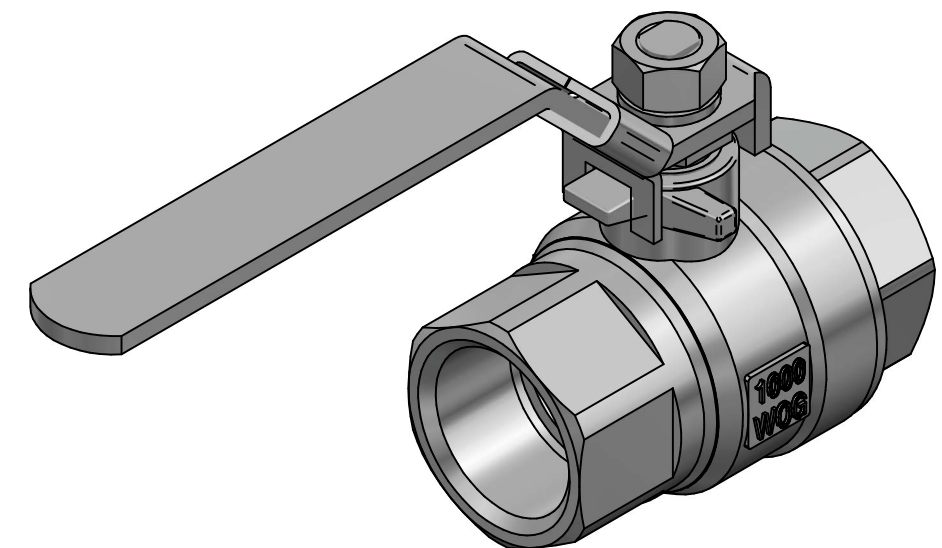
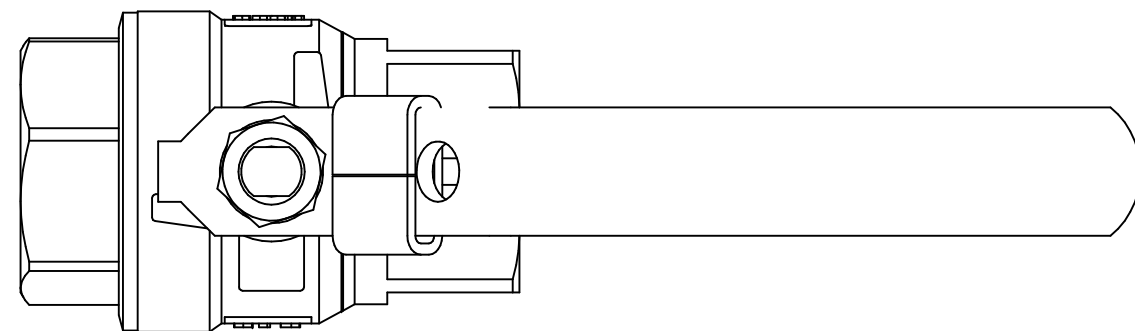


Pos	Part name	Material
1	Body	A351-CF8M
2	Seat	PTFE
3	Ball	316
4	Cover gasket	PTFE
5	Cover	A351-CF8M
6	Stem	316
7	Thrust washer	PTFE
8	Packing	PTFE
9	Packing gland	316
10	Handle	316
11	Nut stopper	316
12	Nut	316
13	Lock device	316
14	Handle cover	Plastic

DN15-DN50



TITLE 2PC BALL VALVE THREADED SS316, 3/4", BSPP  
 THREAD CONNECTION, V-PACKING, WITH  
 LOCKABLE HANDLE, FULL BORE

	NAME	DATE	SIZE	DWG NO
DRAWN	EMLA	18.09.2023	A3	QIF-100-001-0020C
CHECKED	RESO	17.11.2023	FILE NAME: QIF-100-001-0020C.dft	
ENG APPR	TOCO	dd.mm.yyyy	SCALE: 1:1	REV: 00
MGR APPR	TOCO	dd.mm.yyyy	WEIGHT: 0.36 kg	SHEET: 1 OF 1

UNLESS OTHERWISE  
 SPECIFIED  
 DIMENSIONS ARE IN  
 MILLIMETERS  
 AND TOLERANCES ARE  
 +/-0,5

REV	DESCRIPTION	DATE	APPROVED
00	ISSUED	17.11.2023	RESO
REVISION HISTORY			