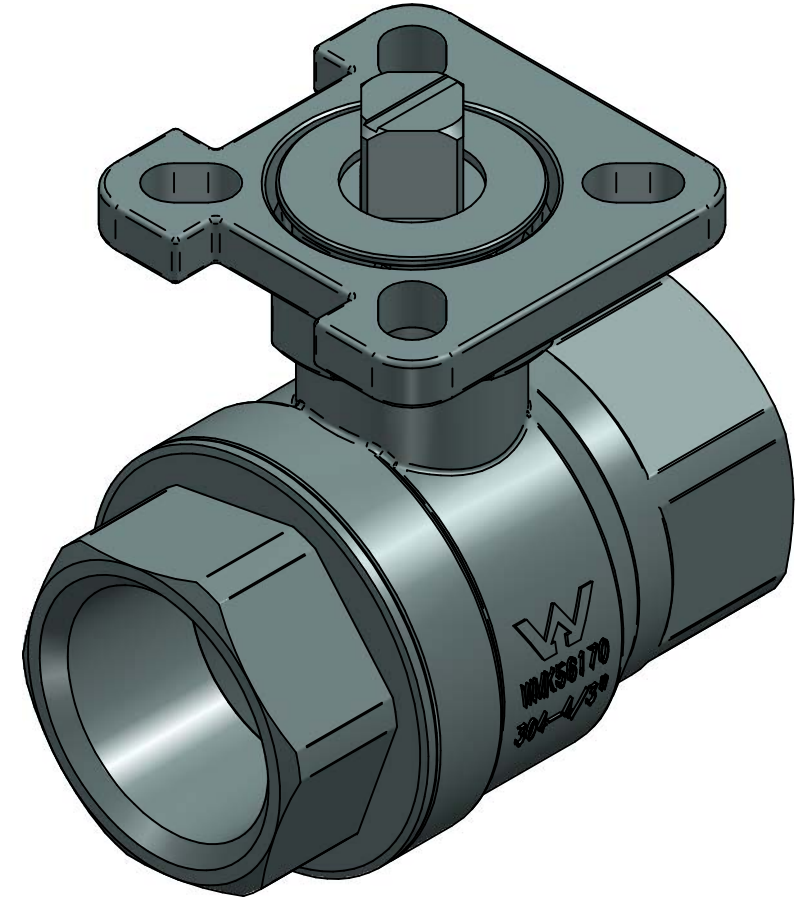
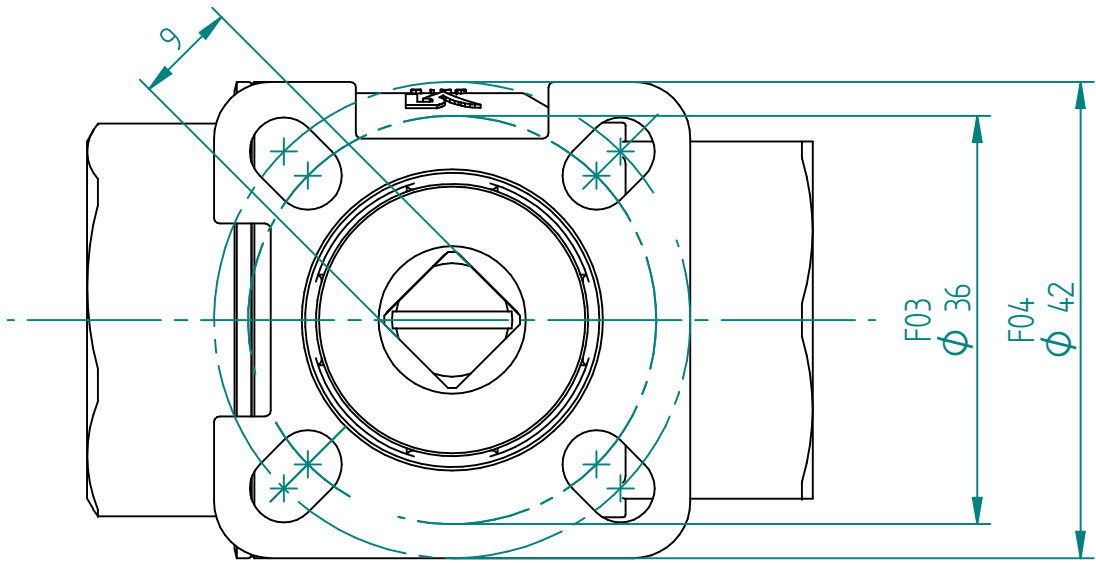



| No. | Part Name | Material | Qty |
|-----|---------------|-------------|-----|
| 1 | Body | CF8M | 1 |
| 2 | Ball Seat | R-PTFE(15%) | 2 |
| 3 | Ball | SS316 | 1 |
| 4 | Body Gasket | PTFE | 1 |
| 5 | Cap | CF8M | 1 |
| 6 | Stem | SS316 | 1 |
| 7 | Thrust Washer | PTFE | 1 |
| 8 | O-Ring | Viton | 1 |
| 9 | Stem Packing | PTFE | 1 |
| 10 | Packing Ring | SS304 | 1 |
| 11 | Nut | SS304 | 1 |



| | | | | | |
|---|----------|------|------------|----------------------------------|--|
|  | NAME | DATE | SIZE | DWG NO | UNLESS OTHERWISE SPECIFIED DIMENSIONS ARE IN MILLIMETERS AND TOLERANCES ARE +/-0,5 |
| | DRAWN | EMLA | 4/23/2023 | A3 QIF-000-001-0020B | |
| | CHECKED | RAGA | 10/4/2023 | FILE NAME: QIF-100-001-0020B.dft | |
| | ENG APPR | TOCO | dd.mm.yyyy | SCALE: 1.5:1 REV: 00 | |
| TITLE | MGR APPR | TOCO | dd.mm.yyyy | WEIGHT: 0.51kg | SHEET: 1 OF 1 |
| 20MM - 3/4" BSP 1000 PSI FULL BORE BALL VALVE | | | | | |

| REV | DESCRIPTION | DATE | APPROVED |
|------------------|-------------|------------|----------|
| 00 | ISSUED | 23.04.2023 | JOBE |
| REVISION HISTORY | | | |