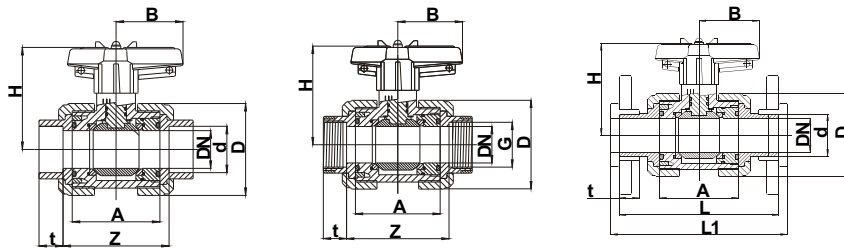


# 2-way ball valve S4 - hand operated PP

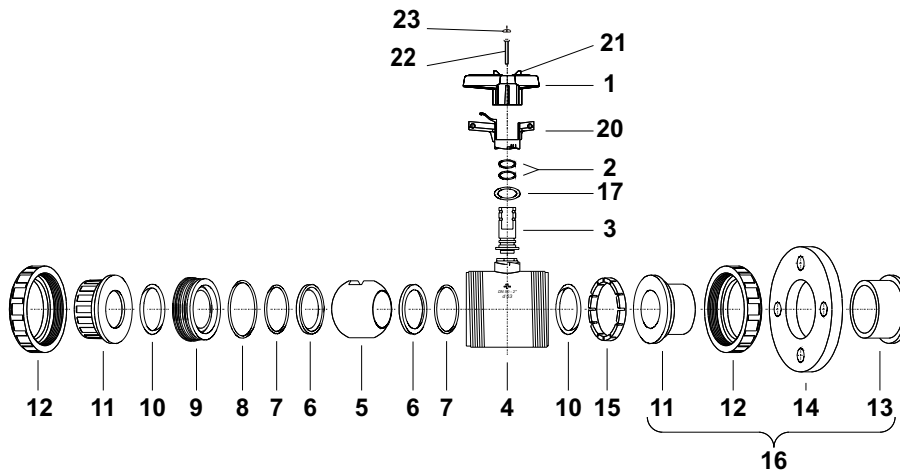
Code: 30

Technical data



d	16	20	25	32	40	50	63	75	90	110
DN	10	15	20	25	32	40	50	65	80	100
G	3/8"	1/2"	3/4"	1"	1 1/4"	1 1/2"	2"	2 1/2"	3"	4"
L	114,0	124,0	144,0	154,0	174,0	194,0	224,0	284,0	300,0	340,0
L1	120,0	130,0	150,0	160,0	180,0	200,0	230,0	290,0	310,0	350,0
A	62,0	62,0	69,0	73,0	83,0	94,0	108,0	133,0	160,0	160,0
Z	71,0	67,5	79,0	84,0	96,0	114,0	134,0	162,0	208,0	207,0
t	14,5	16,0	17,0	19,5	22,0	25,0	29,0	34,5	38,5	44,0
D	52,5	52,5	62,0	69,5	84,0	100,0	120,5	155,0	187,0	187,0
H	71,5	71,5	77,0	80,5	98,5	106,5	115,5	142,0	160,0	160,0
B	40,0	40,0	51,5	51,5	64,0	73,0	85,0	110,0	132,0	132,0
PN	10	10	10	10	10	10	10	10	6	6
Weight	0,16	0,16	0,23	0,28	0,47	0,74	1,11	2,28	3,87	3,87

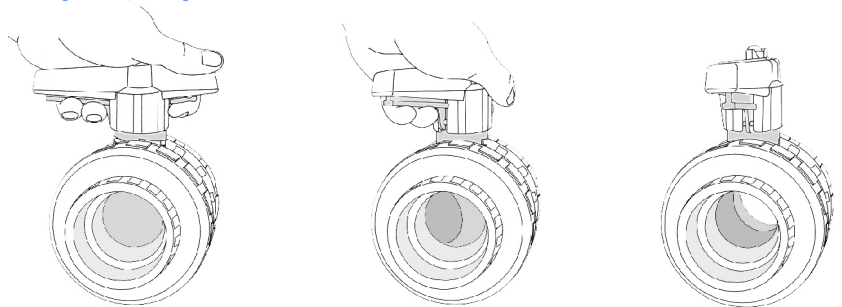
Dimensions in mm!



**Parts:**

- 01. Handle
- 02. O-Ring
- 03. Shaft
- 04. Body
- 05. Ball
- 06. Ball seating joint
- 07. O-Ring
- 08. O-Ring
- 09. Thrust collar
- 10. O-Ring
- 11. Connections
- 12. Union nut
- 13. Flange adaptor
- 14. Flange
- 15. Retaining ring
- 16. Connection set
- 17. O-Ring
- 20. Spring loaded locking sleeve
- 21. Spigot
- 22. Screw
- 23. Cover for screw

**Safety handle system**



**General:**

- Sealing material: EPDM / FPM
- Ball seating joint: PTFE (Teflon®)
- Body material: PVC-u - **PP** - PVDF
- Dimensions: DN 10 / d16 - 3/8" - DN 80 / d110 - 4"

**Operating pressure:**

DN 10 / 3/8" - DN 65 / 2 1/2" 10 bar  
 DN 80 / 3" - DN 80 / 4" 6 bar

**Connections:**

- PP Fusion socket (ASTM, DIN)
- PE, PP Fusion spigot (DIN)
- Threaded socket (BSP, NPT)
- Flange (ANSI, ASA, DIN, JIS)

**Technical specification:**

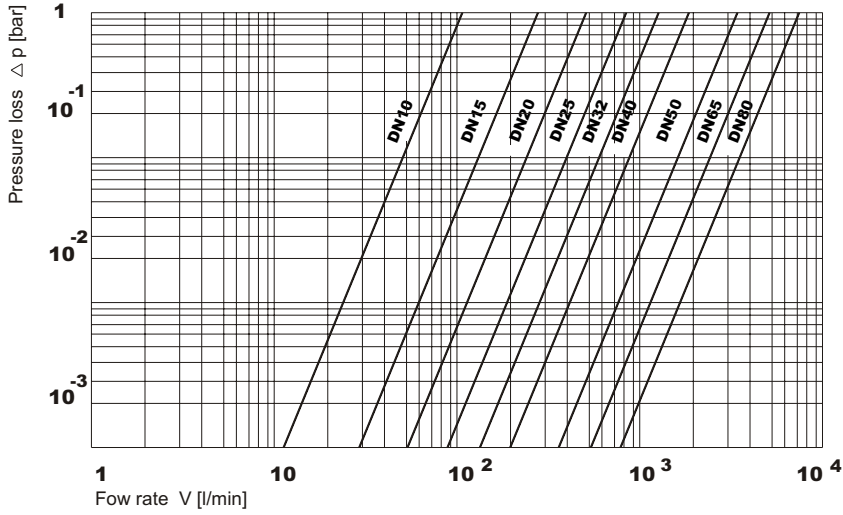
For example:  
 TYPE PRAHER, DIN 3442  
 PP 2-way ball valve S4 DN 10 d 15  
 PP fusion socket ASTM  
 Sealing material EPDM  
 Ball seating joint PTFE (Teflon®)  
 Safety handle system

**Features:**

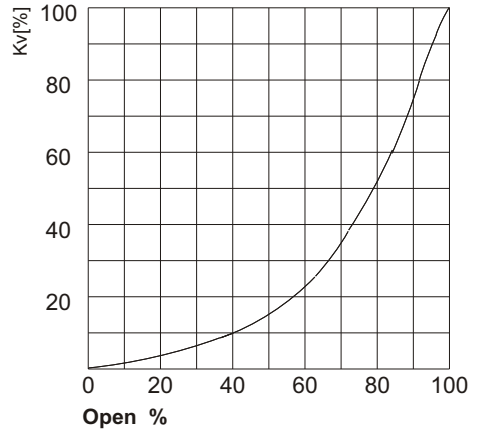
- safety handle system
- radial installation or removal
- ball doubled sided blocked
- circulatory independent of direction
- full sectional area of flow (nominal bore)
- floating ball
- ball seating joints in PTFE (Teflon®)

Subjects to technical modification!

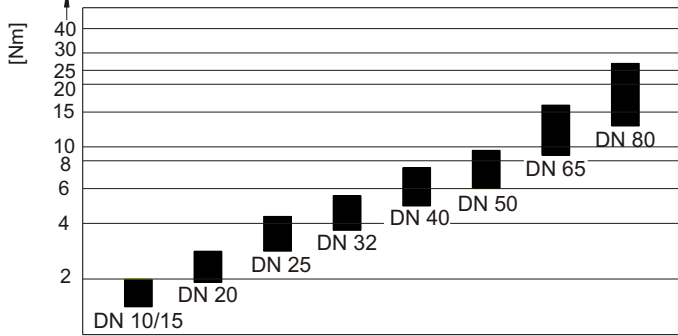
Flow - pressure loss diagram



Flow characteristic



Torque



Pressure - Temperature Diagram

