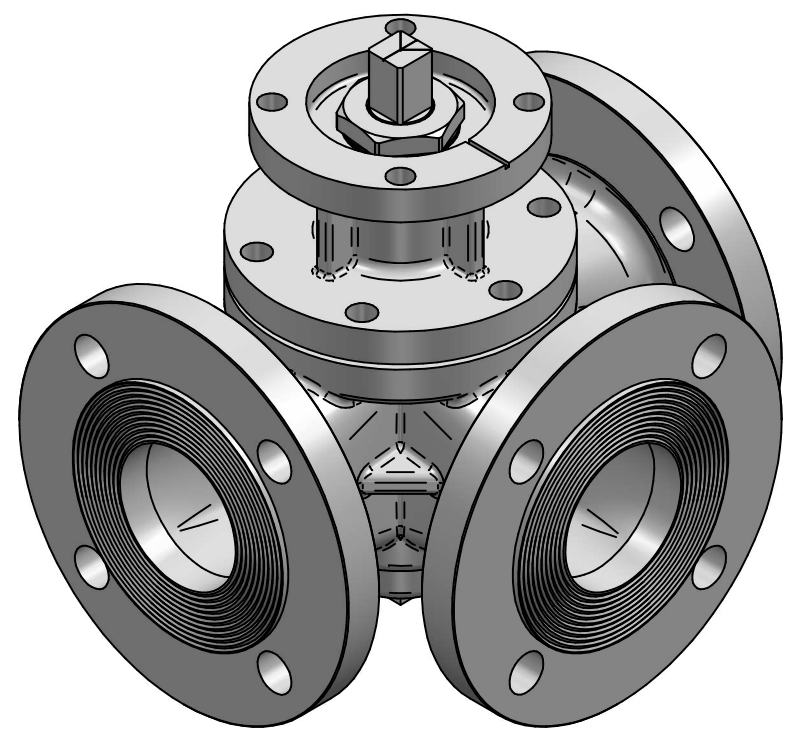
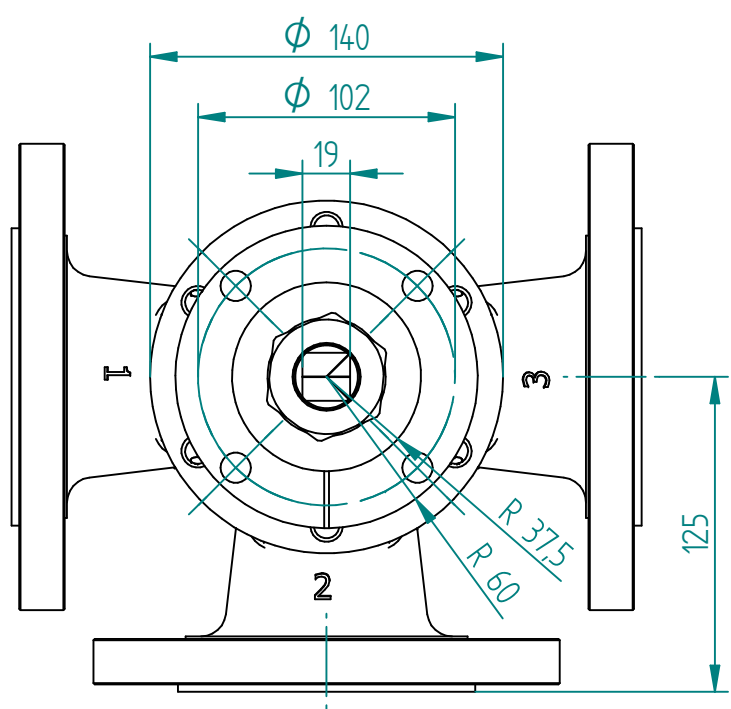


NO.	Part Name	Material
1	BODY	A216 WCB
2	BONNET	A216 WCB
3	AD JUSTABLE PAD	A240 304
4	GLAND	A276 316
6	PACKING	PTFE
7	PLUG	B148 C95800
8	PLUG SCREW	A276 316
9	GASKET	SPIRAL WOULD GRAPHITE/316
10	BOLT	A4-70
11	WASHER	A240 304



	NAME	MOTO	DATE	03.03.2020	SIZE	A3	DWG NO	PON00002
	DRAWN	ORLA	DATE	03.03.2020	FILE NAME:	PON00002.dft		
	CHECKED	TOCO	DATE	dd.mm.yyyy	SCALE:	1:3		
	ENG APPR	TOCO	DATE	dd.mm.yyyy	WEIGHT:	SHEET: 1 OF 1		

UNLESS OTHERWISE SPECIFIED DIMENSIONS ARE IN MILLIMETERS AND TOLERANCES ARE +/-0,5

TITLE 3-WAY CONTROL VALVE, DN65, DIN FLANGE, PN16
 BODY&BONNET: A216 WCB; TRIM: SB148 C95800;
 BARE SHAFT; COLOR: RAL9010 PURE WHITE

REV	DESCRIPTION	DATE	APPROVED
REVISION HISTORY			