

Type 086070
Type 086080
Type 086090

Armaturen für Schiffbau und Industrie
 Valves for shipbuilding and industry



Doppel-Rückschlagklappen PN 10/16
 zum Einbau zwischen Flansche DIN PN 10/16
 aus Sphäroguss GGG40
 Klappenteller aus Bronze, NBR-vulkanisiert
 Baulänge nach DIN 3202/EN 558 K3
 Zulässige Betriebstemperatur bis + 80° C

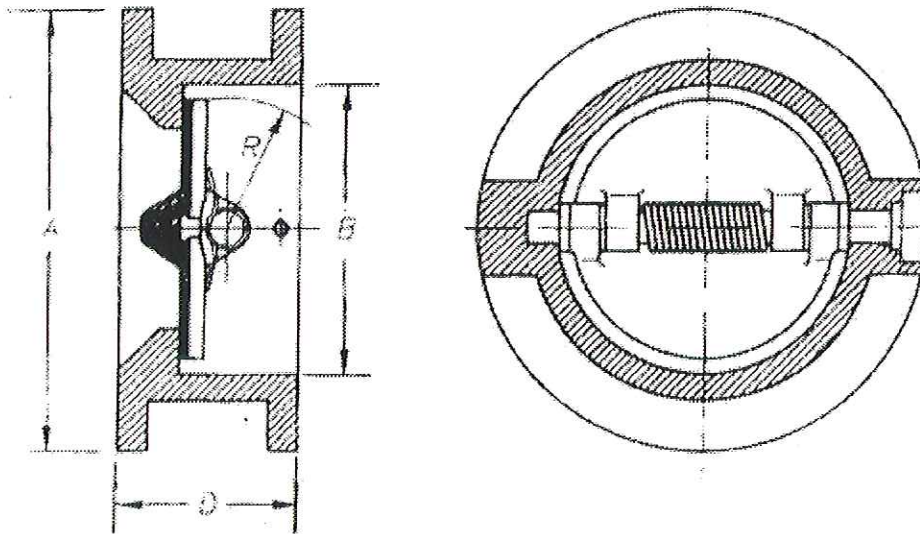
duo-check-valves PN 10/16
 for mounting between flanges DIN PN10/16
 body nodular iron GGG40
 plates Bronze, NBR-vulcanized
 face to face acc. to DIN 3202/EN 558 K3
 max. working temperature up to + 80° C

Materialspezifikation: (Type 086070)

| | | |
|----------------|---|--------|
| Gehäuse: | GGG40 | 0.7040 |
| Klappenteller: | Alubronze, vulkanisiert (Standard NBR oder EPDM, Viton, PTFE) | 2.0975 |
| Lagerbolzen: | Edelstahl | 1.4571 |
| Federn: | Edelstahl | 1.4571 |

material specification: (type 086070)

| | | |
|-------------|---|--------|
| body: | GGG40 | 0.7040 |
| plates: | alubronze, vulkanized (standard NBR or EPDM, Viton, PTFE) | 2.0975 |
| hinge pins: | stainless steel | 1.4571 |
| springs: | stainless steel | 1.4571 |



| | | |
|--------------------------------------|------------------------------|-------------|
| Type 086070: GGG40/Alubronze/NBR | / nodular iron/alubronze/NBR | PN 10/16 |
| Type 086080: Stahl/Stahl/NBR | / steel/steel/NBR | PN 10/16/25 |
| Type 086090: Edelstahl/Edelstahl/NBR | / st.steel/st.steel/NBR | PN 10/16/25 |

| NW/DN | D | B | R | A = Outside Diameter | | | KG |
|-------|-----|-----|-----|----------------------|-------|-------|-----|
| | | | | PN 10 | PN 16 | PN 25 | |
| 40 | 33 | 58 | 33 | 94 | 94 | 94 | 1,0 |
| 50 | 43 | 58 | 33 | 109 | 109 | 109 | 1,5 |
| 65 | 46 | 58 | 33 | 129 | 129 | 129 | 2,4 |
| 80 | 64 | 70 | 41 | 144 | 144 | 144 | 3,8 |
| 100 | 64 | 95 | 52 | 164 | 164 | 164 | 5,0 |
| 125 | 70 | 128 | 70 | 194 | 194 | 194 | 7,0 |
| 150 | 76 | 132 | 70 | 220 | 220 | 220 | 8,0 |
| 200 | 89 | 192 | 104 | 275 | 275 | 284 | 15 |
| 250 | 114 | 244 | 126 | 330 | 330 | 341 | 27 |
| 300 | 114 | 295 | 153 | 380 | 380 | 403 | 34 |
| 350 | 127 | 320 | 168 | 440 | 440 | 460 | 53 |
| 400 | 140 | 380 | 195 | 491 | 491 | 515 | 70 |
| 450 | 152 | 420 | 217 | 541 | 558 | 567 | 100 |
| 500 | 152 | 480 | 247 | 596 | 620 | 627 | 130 |
| 600 | 178 | 585 | 299 | 698 | 735 | 735 | 180 |

Auf Wunsch zahlreiche Sonderausführungen möglich.
 Several special executions possible on request.