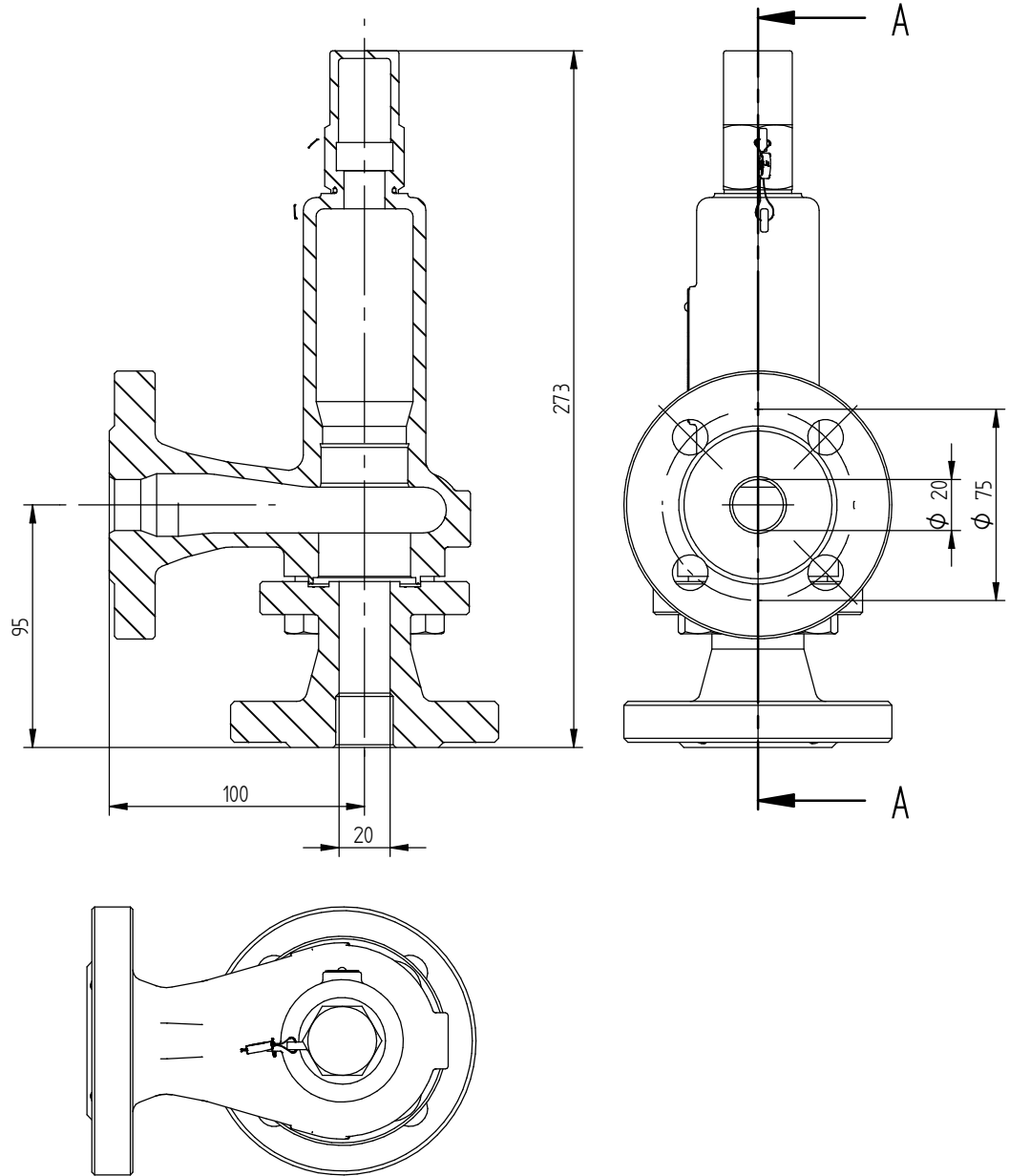
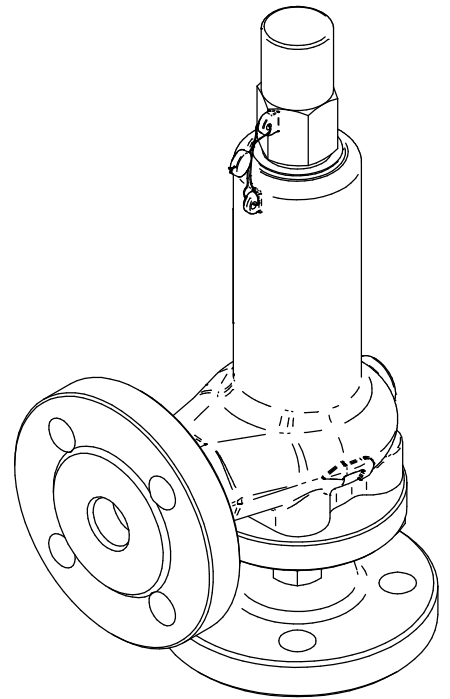


SECTION A-A



POS	Item Number	Description
1		
2		
3		
4		



TITLE	NAME	DATE	SIZE	DWG NO
	ERKJ	24-Apr-18	A3	JSC-YYY-MM-DD-HHMM
	TOCO	dd.mm.yyyy	FILE NAME: PER00455B.dft	
	ENG APPR	TOCO	SCALE: 20:1	REV:
	MGR APPR	TOCO	WEIGHT: 0.000 kg	SHEET: 1 OF 1

UNLESS OTHERWISE SPECIFIED DIMENSIONS ARE IN MILLIMETERS AND TOLERANCES ARE +/-0,5

REV	DESCRIPTION	DATE	APPROVED
REVISION HISTORY			