

# Relief-Valve, springloaded

for steam, gases and liquids in closed completion

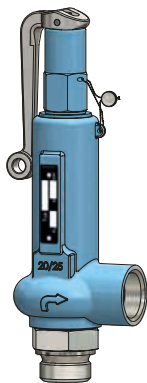
# Typ 1

### Standard version:

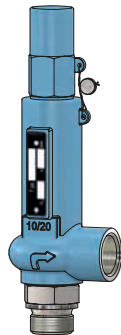
		Temperature ranges	
<b>Material:</b>	Inlet body / Spring bonnet	metal seated	
<b>Typ 1.1:</b>	1.4104 / 0.7043	-10°C to 280°C	
<b>Typ 1.2:</b>	1.4571 / 1.4581	-60°C to 280°C	
<b>Typ 1.7:</b>	1.4571 / 1.4308 <i>only with head C</i>	-200°C to 280°C	
<b>Connections:</b>		soft seated	
Screwed connection: DIN ISO 228 / ASME B1.20.1		see techn. appendix: KWD-1	

### Approvals:

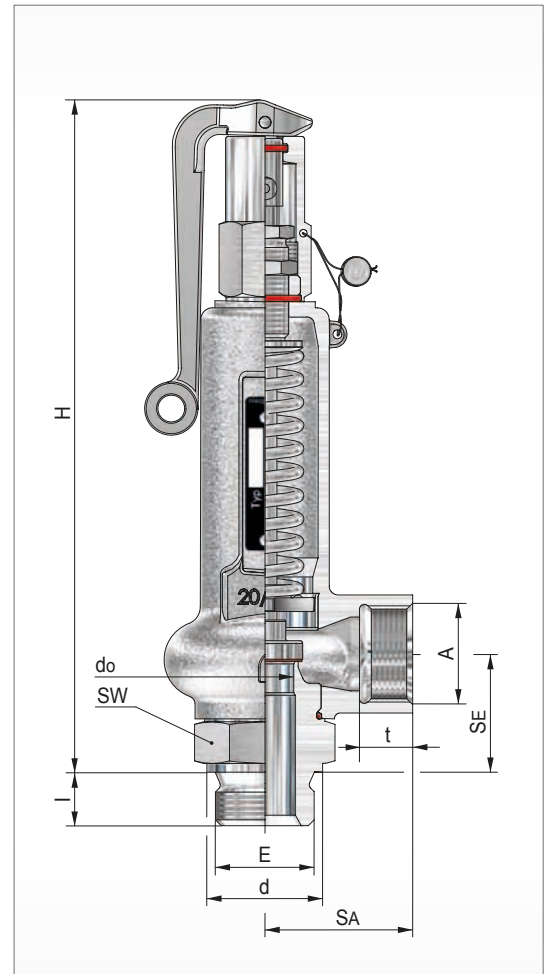
**Pressure Equipment Directive:** 97/23/EG  
Declaration of Conformity



Size II  
head A



Size I  
head C



Size	Inlet					Outlet				Dimensions		Height 'H' for head		Coefficient		Set pressure		Weight ~ [kg]																																												
	E	SE	d	l (G)	l (NPT)	A	SA	t (G)	t (NPT)	SW	do	A	C	D/G Qw max.	F Qw	p min. [bar(g)]	p max. [bar(g)]																																													
	[mm]	[mm]	[mm]	[mm]	[mm]	[mm]	[mm]	[mm]	[mm]	[mm]	[mm]	[mm]	[mm]			[bar(g)]	[bar(g)]																																													
I	3/8	34	22	12	11	1/2	40	14	14	32	10	200	185	0,08	0,05	0,15	160	1,0																																												
																			1/2	26	14	14	17	15	8	0,08	0,05	0,20	200																																	
																														3/4	32	16	14	17	15	12,5	0,08	0,05	0,12	155																						
																																									1	39	18	18	17	15	10	0,08	0,05	0,15	160											
																																																				1 1/4	49	20	18	17	15	8	0,08	0,05	0,20	200
	2	60	24	20	17	15	16	0,08	0,05	0,07	70																																																			
																			0,08	0,05	0,12	155																																								
																														0,08	0,05	0,15	160																													
																																									0,08	0,05	0,20	200																		
																																																				0,08	0,05	0,20	200							
							-	-	0,40	500																																																				

other design on request

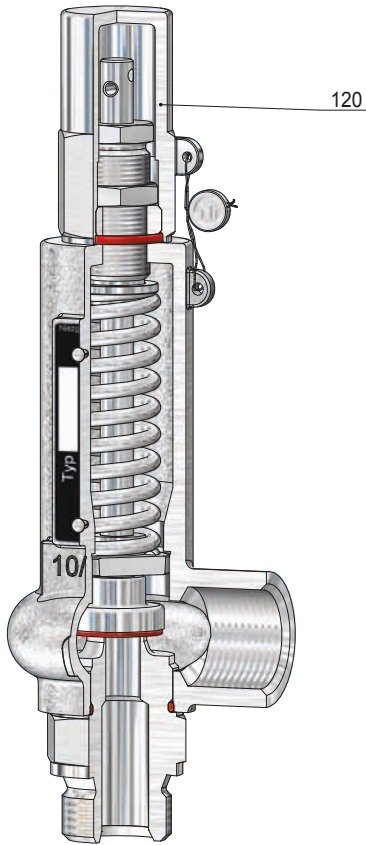
<sup>1)</sup> not in type 1.1 with outlet 3/4

<sup>2)</sup> type 1.1 to 200 [bar(g)]

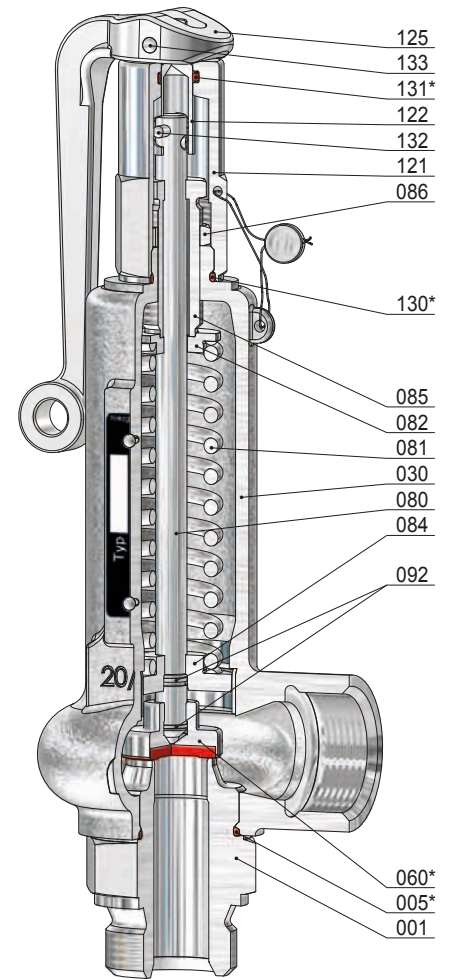
# Relief-Valve, springloaded

for steam, gases and liquids in closed completion

## Typ 1



Size I  
head C



Size II  
head A

Item	Piece	Description	Item	Piece	Description
001	1	inlet body	120	1	cap
005 *	1	o-ring	121	1	lifting cap
030	1	spring bonnet	122	1	coupling
060 *	1	disc, complete	125	1	lifting button
560	1	disc	130 *	1	o-ring
062	1	soft sealing	131 *	1	o-ring
080	1	spindle	132	1	groove pin
081	1	spring	133	1	groove pin
082	1	springplate, upper			
084	1	springplate, lower			
085	1	adjusting screw			
086	1	lock nut			
092	2	lock ring			

\* expendable parts