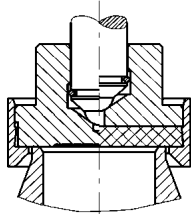


# Normal-Sicherheitsventil, federbelastet Standard-Safety-Valve, springloaded

## Typ 30

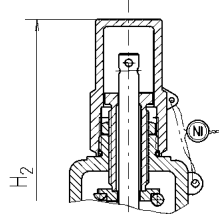
für Dämpfe, Gase und Flüssigkeiten mit geschlossener Haube  
for steam, gases and liquids in closed completion

Typ 30.1 BG I: Wst. / Material 1.0460 / 0.7043, 1.0619  
 Typ 30.1 BG II + III: Wst. / Material 1.0460, 1.0619, / 0.7043, 1.0619  
 Typ 30.1 BG IV: Wst. / Material 1.0619 / 0.7043, 1.0619  
 Typ 30.2: Wst. / Material 1.4571, 1.4581 / 1.4581  
 Typ 30.7: Wst. / Material 1.4571 / 1.4308

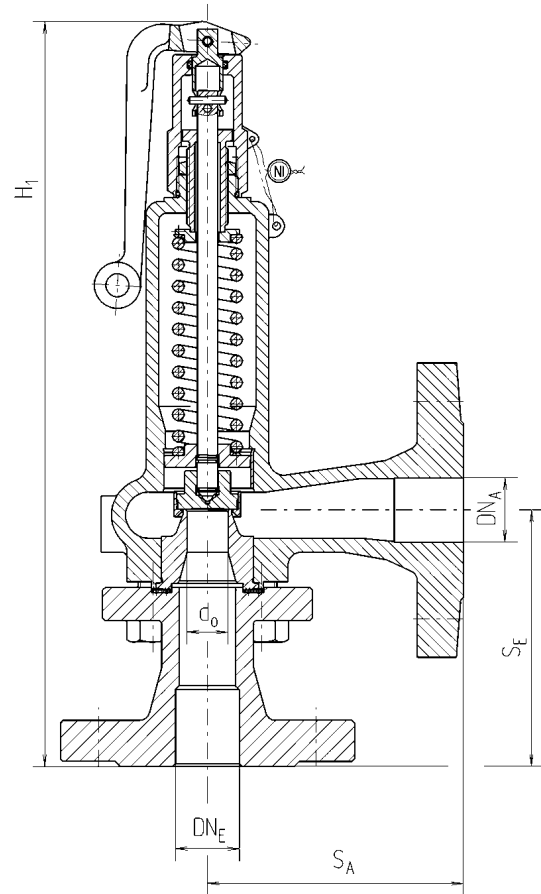


metallisch dichtend  
metal seated

weich dichtend  
soft seated



Kopf C, gasdichte Kappe  
head C, gastight cap



Kopf A, gasdicht mit Lüftehebel  
head A, gastight with lifting lever

### Bauteilkennzeichen / TÜV-Approval

BG I: TÜV • SV • XX-713 • d<sub>o</sub> • D/G/F • α<sub>d</sub> • p  
 BG II: TÜV • SV • XX-820 • d<sub>o</sub> • D/G/F • α<sub>d</sub> • p  
 BG III: TÜV • SV • XX-896 • d<sub>o</sub> • D/G/F • α<sub>d</sub> • p  
 BG IV: TÜV • SV • XX-902 • d<sub>o</sub> • D/G/F • α<sub>d</sub> • p

### Verwendung / Use

Betriebstemperatur / operating temperature

Kegel metallisch dichtend / disc metal seated

Typ 30.1 BG I: -10°C bis / to 280°C / (350°C<sup>1)</sup>  
 Typ 30.1 BG II bis IV: -60°C bis / to 350°C  
 Typ 30.2 BG I: -60°C bis / to 280°C / (400°C<sup>1)</sup>  
 Typ 30.2 BG II bis IV: -60°C bis / to 350°C / (400°C<sup>1)</sup>  
 Typ 30.7 BG I bis IV: -200°C bis / to 280°C / (300°C<sup>1)</sup>

Kegel weich dichtend / disc soft seated

siehe techn. Anhang: KWD-1 / see techn. appendix: KWD-1

Einbaulage: senkrecht  
 Installation position: vertical

BG Size	Eintritt (DIN od. ANSI) Inlet (DIN or ANSI)				Austritt (DIN od. ANSI) Outlet (DIN or ANSI)				Baumaße Dimensions		Ausflussziffer Coefficient		Ansprechdruck Set pressure		Gewicht Weight [kg]	
	DN <sub>E</sub> / NPS		PN <sub>E</sub> [bar (g)] Class	d <sub>o</sub> [mm]	S <sub>E</sub> <sup>2)</sup> [mm]	DN <sub>A</sub> / NPS		PN <sub>A</sub> [bar (g)] Class	S <sub>A</sub> <sup>2)</sup> [mm]	H <sub>1</sub> [mm]	H <sub>2</sub> [mm]	α <sub>d</sub> max D/G	α <sub>d</sub> F	p <sub>min</sub> [bar(g)]		p <sub>max</sub> [bar(g)]
	[mm]	1/2				1	1 1/2									
I	15	1/2	16 – 63	12,5	90	15	1/2	16 – 40	90	282	268	0,45	0,32	0,1	40	4,3
	20	3/4		12,5	95	20	3/4		95	287	273	0,45	0,32	0,1	40	4,3
	25	1	150 – 600	16	100	25	1	150 – 300	100	292	278	0,38	0,29	0,1	40	4,6
	25	1		18	100	25	1		100	292	278	0,28	0,22	0,05	20	4,6
II	32	1 1/4	16 – 63	20	105	32	1 1/4	16 – 40	105	395	375	0,43	0,34	0,1	40	9,6
	32	1 1/4		25	105	32	1 1/4		105	395	375	0,31	0,24	0,1	6	9,6
	40	1 1/2	150 – 600	25	115	40	1 1/2	150 – 300	115	405	385	0,41	0,32	0,1	40	10,0
	40	1 1/2		32	115	40	1 1/2		115	405	385	0,29	0,23	0,1	6	10,0
III	50	2	16 – 63	32	125	50	2	16 – 40	125	450	430	0,39	0,28	0,05	40	15,0
	50	2		40	125	50	2		125	450	430	0,31	0,23	0,05	6,5 <sup>3)</sup>	15,0
	65	2 1/2	150 – 600	40	145	65	2 1/2	150 – 300	145	470	450	0,31	0,23	0,05	35	19,3
	65	2 1/2		50	145	65	2 1/2		145	470	450	0,28	0,21	0,05	7,5 <sup>4)</sup>	19,3
IV	80	3	16 – 63	50	155	80	3	16 – 40	155	700	620	0,46	0,33	0,05	25	36,8
	80	3		58	155	80	3		155	700	620	0,41	0,29	0,05	6	36,8
	100	4	150 – 600	60	175	100	4	150	175	730	650	0,44	0,30	0,05	18	40,5
	100	4		70	175	100	4		175	730	650	0,40	0,28	0,05	6	40,5
Sonderausführung / special design:														0,41	0,05	6

<sup>1)</sup> Höhere Temperaturen auf Anfrage / higher temperatures on request

<sup>2)</sup> Maß nach DIN EN 558-1 Grundreihe 8, andere auf Anfrage  
 measure according to DIN EN 558-1 row 8, other on request

<sup>3)</sup> Bei Flüssigkeiten bis 16 bar / liquids up to 16 bar g

<sup>4)</sup> Bei Flüssigkeiten bis 10 bar / liquids up to 10 bar g

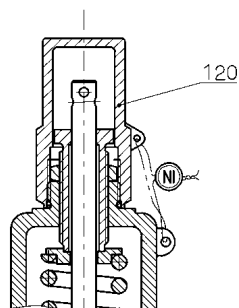
# Normal-Sicherheitsventil, federbelastet Standard-Safety-Valve, springloaded

## Typ 30

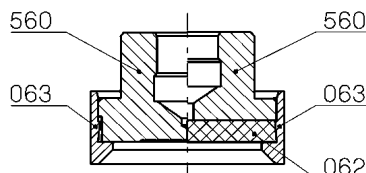
für Dämpfe, Gase und Flüssigkeiten mit geschlossener Haube  
for steam, gases and liquids in closed completion

Typ 30.1: Wst. / Material 1.0460 / 0.7043, 1.0619  
Typ 30.2: Wst. / Material 1.4571 / 1.4581  
Typ 30.7: Wst. / Material 1.4571 / 1.4308

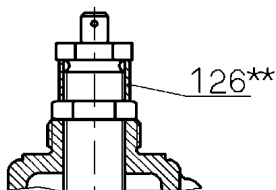
DN 15/15  
DN 20/20  
DN 25/25



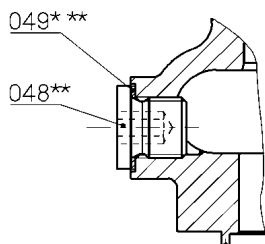
head C, gastight cap



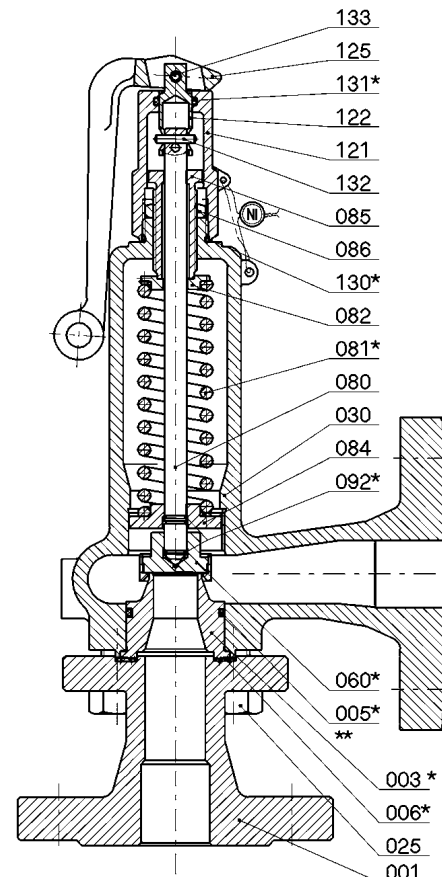
disc complete pos. 060\*  
metal seated      soft seated



lock sleeve  
on request



drainage screw  
on request



head A, gastight with lifting lever  
metal seated

Item	Description	Material			Item	Description	Material		
		30.1	30.2	30.7			30.1	30.2	30.7
001*	1 inlet body	1.0460	1.4571	1.4571	120	1 cap	1.0718	1.4581	1.4571
003*	1 seat	1.4104	1.4571	1.4571	121	1 lifting cap	1.4104	1.4581	
006*	1 packing ring	TESNIT BAU		PTFE	122	1 coupling	1.4305	1.4305	
025	4 screw	A2	A2	A2	125	1 lifting lever	3.2581	3.2581	
030	1 spring bonnet	0.7043 <sup>1)</sup>	1.4581	1.4308	130*	1 o-ring	NBR	FPM	EPDM
060*	1 disc complete				131*	1 o-ring	NBR	FPM	
560	1 disc	1.4571	1.4571	1.4571	132	1 groove pin	A4	A4	
062 <sup>2)</sup>	1 soft sealing	see techn. appendix: KWD-1			133	1 groove pin	A4	A4	
063	1 disc ring	1.4571	1.4571	1.4571					
080	1 spindle	1.4104	1.4571	1.4571		on request			
081*	1 spring	1.4310	1.4310	1.4310	005**	1 o-ring	NBR	FPM	EPDM
082	1 springplate, upper	1.0718	1.4305	1.4305					
084	1 springplate, lower	1.4571	1.4571	1.4571	048**	1 drainage screw	A4	A4	A4
085	1 adjusting screw	1.4305	1.4305	1.4571	049**	1 packing ring	Cu	PTFE	PTFE
086	1 lock nut	1.0718	1.4305	1.4305					
092*	2 lock ring	1.4571	1.4571	1.4571	126**	1 lock sleeve	1.4305	1.4305	

\* expendable parts

\*\* optional design, on request

<sup>1)</sup> alternative 1.0619

<sup>2)</sup> only in disc with soft sealing

# Niezgodka GmbH

Bargkoppelweg 73  
D-22145 Hamburg

Telefon: +49 40 679 469-0  
Telefax: +49 40 679 469-59

e-mail: ni@niezgodka.de  
http://www.niezgodka.de

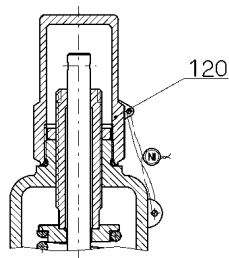
# Normal-Sicherheitsventil, federbelastet Standard-Safety-Valve, springloaded

## Typ 30

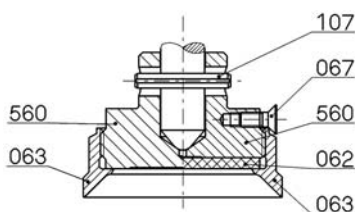
für Dämpfe, Gase und Flüssigkeiten mit geschlossener Haube  
for steam, gases and liquids in closed completion

Typ 30.1 BG II, III: Wst. / Material 1.0460, 1.0619 / 0.7043, 1.0619  
Typ 30.2 BG II, III: Wst. / Material 1.4581 / 1.4581  
Typ 30.7 BG II, III: Wst. / Material 1.4571 / 1.4308

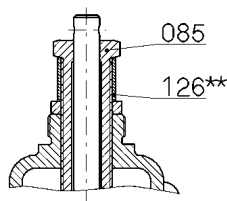
DN 32/32  
DN 40/40  
DN 50/50  
DN 65/65



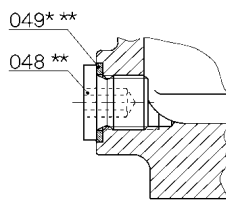
head C  
gastight cap



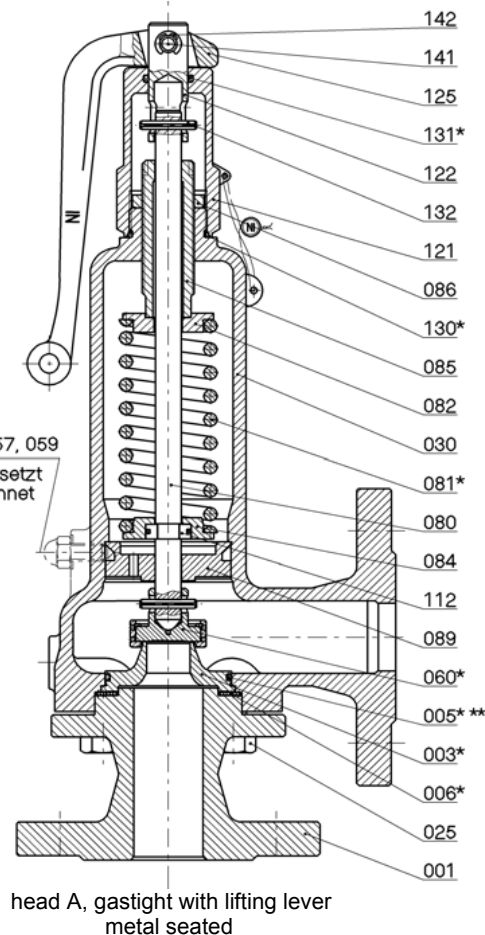
disc complete, pos. 060\*  
metal seated      soft seated



lock sleeve  
on request



drainage screw  
on request



head A, gastight with lifting lever  
metal seated

Item	Description	Material			Item	Description	Material		
		30.1	30.2	30.7			30.1	30.2	30.7
001*	1 inlet body	1.0619 <sup>1)</sup>	1.4581	1.4571	089	1 guide plate	1.4571	1.4571	1.4571
003*	1 seat	1.4571	1.4571	1.4571	112	1 splitted ring	1.4305	1.4305	1.4305
006*	1 packing ring	TESNIT BAU		PTFE	120	1 cap (head C)	1.0718	1.4581	1.4571
025	4 <sup>2)</sup> screw	A2	A2	A2	121	1 lifting cap (head A)	1.4104	1.4581	
030	1 spring bonnet	0.7043 <sup>1)</sup>	1.4581	1.4308	122	1 coupling	1.4305	1.4305	
056	2 lock nut	A2	A2	A2	125	1 lifting lever	3.2581	3.2581	
057	2 screwed pin	A2	A2	A2	130*	1 o-ring	NBR	FPM	EPDM
059*	2 packing ring	PVC	PVC	PTFE	131*	1 o-ring	NBR	FPM	
060*	1 disc complete				132	1 groove pin	A4	A4	
560	1 disc	1.4571	1.4571	1.4571	141	1 bolt	1.4305	1.4305	
062 <sup>3)</sup>	1 soft sealing	see techn. appendix: KWD-1			142	2 stop washer	A2	A2	
063	1 disc ring	1.4571	1.4571	1.4571					
067	1 security screw	A4	A4	A4					
107	1 spring pin	A2	A2	A2					
080	1 spindle	1.4104	1.4571	1.4571					
081*	1 spring	1.4310	1.4310	1.4310	005* **	1 o-ring	NBR	FPM	EPDM
082	1 springplate, upper	1.4305 <sup>4)</sup>	1.4305	1.4305	048**	1 drainage screw	A4	A4	A4
084	1 springplate, lower	1.0718	1.4305	1.4305	049* **	1 packing ring	Cu	PTFE	PTFE
085	1 adjusting screw	1.4305	1.4305	1.4305					
086	1 lock nut	1.4305	1.4305	1.4305	126**	1 lock sleeve	1.4305	1.4305	

\* expendable parts  
\*\* optional design, on request

<sup>1)</sup> alternative 1.0460  
<sup>2)</sup> size III: 8 screws

<sup>3)</sup> only in disc with soft sealing  
<sup>4)</sup> size III 1.0718

# Niezgodka GmbH

Bargkoppelweg 73  
D-22145 Hamburg

Telefon: +49 40 679 469-0  
Telefax: +49 40 679 469-59

e-mail: ni@niezgodka.de  
http://www.niezgodka.de

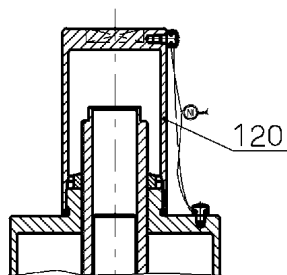
# Normal-Sicherheitsventil, federbelastet Standard-Safety-Valve, springloaded

## Typ 30

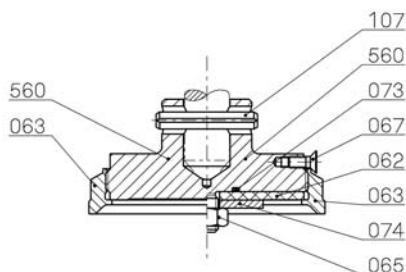
für Dämpfe, Gase und Flüssigkeiten mit geschlossener Haube  
for steam, gases and liquids in closed completion

Typ 30.1: Wst. / Material 1.0619 / 0.7043, 1.0619  
 Typ 30.1: Wst. / Material 1.0619 / 1.0619  
 Typ 30.2: Wst. / Material 1.4581 / 1.4581  
 Typ 30.7: Wst. / Material 1.4571 / 1.4308

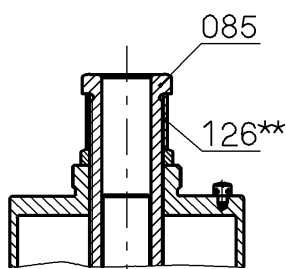
DN 80/80  
 DN 100/100



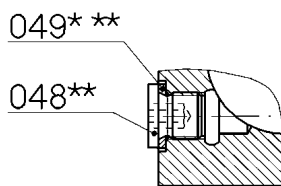
head C, gastight cap



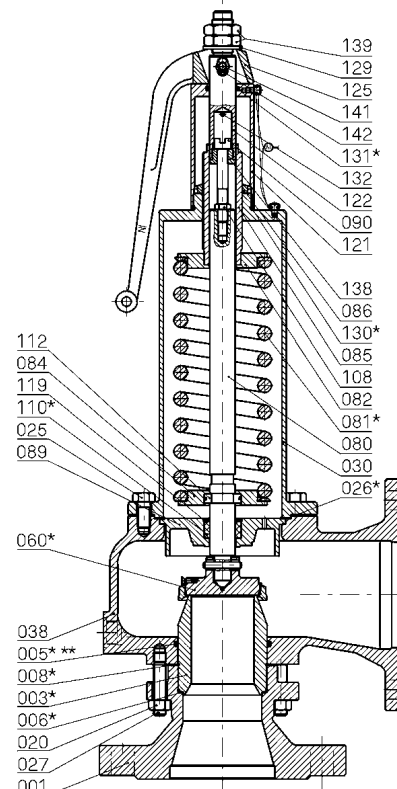
disc complete pos. 060\*  
 metal seated      soft seated



lock sleeve  
 on request



drainage screw  
 on request



head A, gastight with lifting lever  
 metal seated

Item	Description	Material			Item	Description	Material		
		30.1	30.2	30.7			30.1	30.2	30.7
001*	1 inlet body	1.0619	1.4581	1.4571	090	1 screw	A2	A2	A2
003*	1 seat	1.4571	1.4571	1.4571	108	1 nut	A2	A2	A2
006*	1 packing ring	PTFE	PTFE	PTFE	110*	1 bush	PTFE/gr	PTFE/gr	PTFE/gr
008*	1 packing ring	TESNIT BAU	PTFE	PTFE	112	1 splitted ring	1.4305	1.4305	1.4305
020	8 nut	A2	A2	A2	119	1 retaining ring	A2	A2	A2
025	8 screw	A2	A2	A2	120	1 cap (head C)	1.0254	1.4571	1.4571
026*	1 packing ring	TESNIT BAU	PTFE	PTFE	121	1 lifting cap (head A)	1.0254	1.4571	
027	8 stud bolt	A2	A2	A2	122	1 coupling	1.4305	1.4305	
030	1 spring bonnet	1.0254	1.4571	1.4571	125	1 lifting lever	3.2581	3.2581	
038	1 outlet body	0.7043 <sup>1)</sup>	1.4581	1.4308	129	1 pressure plate	A2	A2	
060*	1 disc complete				130*	1 o-ring	NBR	FPM	EPDM
560	1 disc	1.4571	1.4571	1.4571	131*	1 o-ring	NBR	FPM	
062 <sup>2)</sup>	1 soft sealing	see techn. appendix: KWD-1			132	1 groove pin	A2	A2	
063	1 disc ring	1.4571	1.4571	1.4571	138	1 screw	1.4305	1.4305	
065 <sup>2)</sup>	1 nut	A4	A4	A4	139	2 nut	A2	A2	
067	1 security screw	A4	A4	A4	141	1 bolt	1.4305	1.4305	
073 <sup>2)</sup>	1 o-ring	NBR	FPM	PTFE	142	2 stop washer	A2	A2	
074 <sup>2)</sup>	1 disc plate	1.4571	1.4571	1.4571		on request			
107	1 spring pin	A2	A2	A2	005* **	1 o-ring	NBR	FPM	PTFE
080	1 spindle	1.4104	1.4571	1.4571	048**	1 drainage screw	A4	A4	A4
081*	1 spring	1.4310	1.4310	1.4310	049* **	1 packing ring	Cu	PTFE	PTFE
082	1 springplate, upper	1.0718	1.4305	1.4305	126**	1 lock sleeve	1.4305	1.4305	
084	1 springplate, lower	1.0718	1.4305	1.4305					
085	1 adjusting screw	1.4305	1.4305	1.4305					
086	1 lock nut	1.4305	1.4305	1.4305					
089	1 guide plate	1.0460	1.4571	1.4571					

\* expendable parts

\*\* optional design, on request

<sup>1)</sup> alternative 1.0619

<sup>2)</sup> only in disc with soft sealing