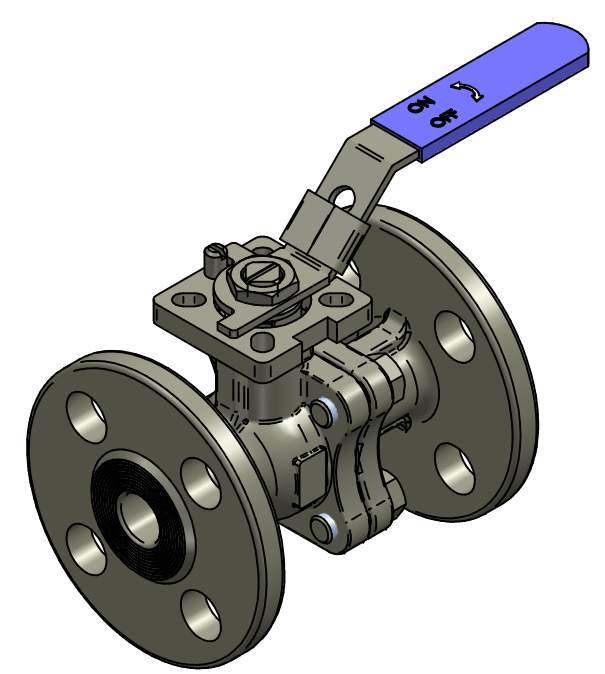



POS	Item Number	Description
1	Body	ASTM A351 CF8M
2	Body cover	ASTM A182 F316
3	Stem seal	PTFE
4	Stem packing	Graphite
5	Gland ring	SS316
6	Body gasket	Graphite
7	Ball	AST A182 F316
8	Thrust washer	Graphite
9	Bolt	SS316
10	Lever	SS316
11	Spring washer	SS316
12	Ball seat	PEEK/RPTFE
13	Stop pin	SS316
14	Lever cover	PVC
15	Stem nut	SS316
16	Stem	ASTM A182 F316



	NAME	HESG	DATE	1/16/2023	SIZE	A3	DWG NO	OMV-100-B13-0015
	DRAWN	HESG	CHECKED	TOCO	FILE NAME:	OMV-100-B13-0015.dft		
	ENG APPR	TOCO	MGR APPR	TOCO	SCALE:	1:2	REV:	01
	WEIGHT:	1.5kg		SHEET:	1 OF 1			
UNLESS OTHERWISE SPECIFIED DIMENSIONS ARE IN MILLIMETERS AND TOLERANCES ARE +/-0,5								

REV	DESCRIPTION	DATE	APPROVED
01	Revised ISO-top	16.01.23	HESG
REVISION HISTORY			

TITLE BALL VALVE FIG B13, 1/2" ANSI, FB, FLOATING BALL
 BLAS10R/BDAS302R, BODY CF8M, COVER F316
 PTFE SEALS, 9MM - F03/F04